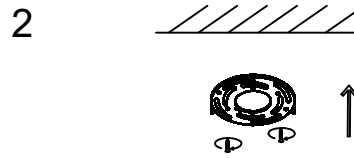
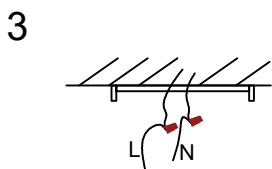


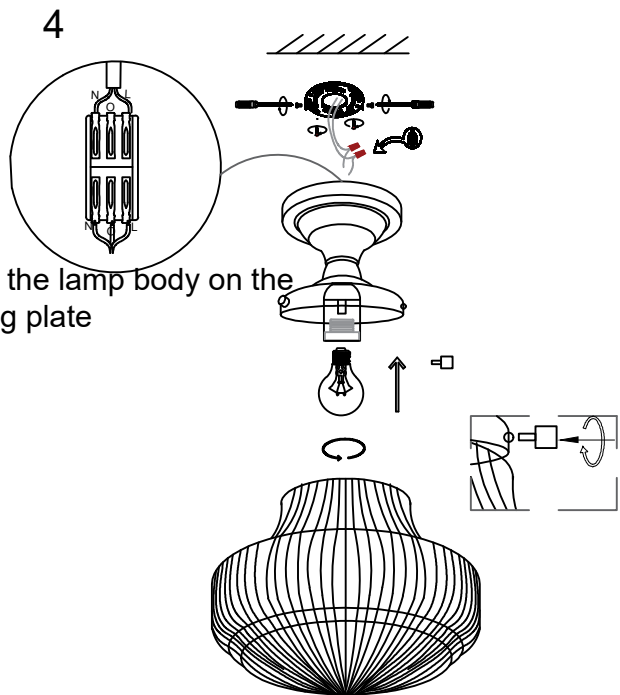
Drill holes in the ceiling and insert expansion screws



Install the hanging plate on the ceiling



The electric wires in the home connect to the light fixtures



Install the lamp body on the hanging plate

Hand nut tighten lamp shade