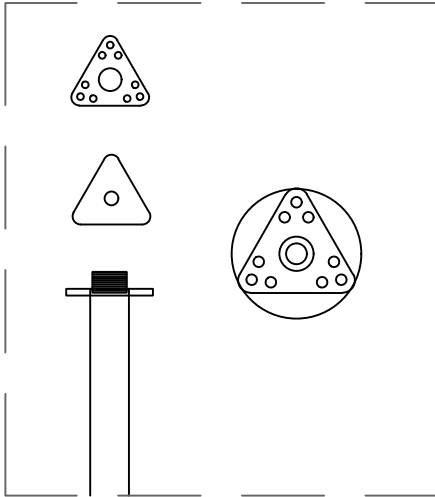
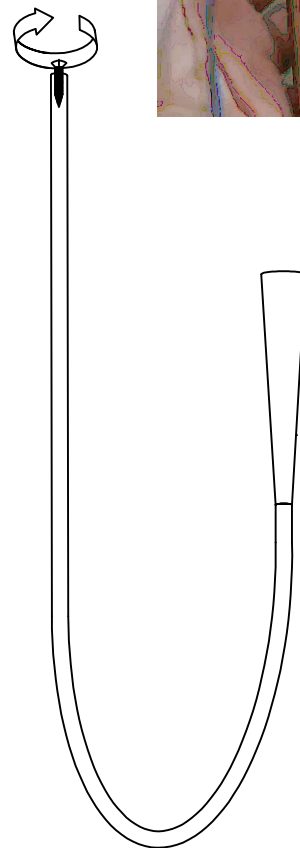


1

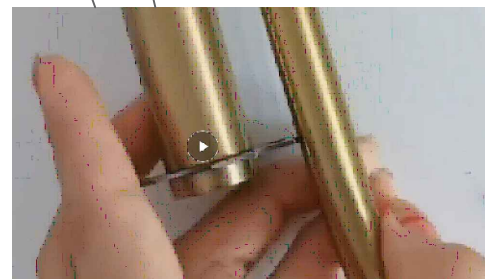
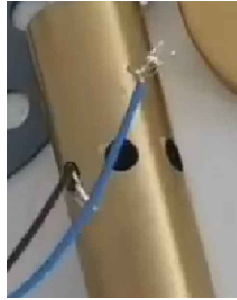
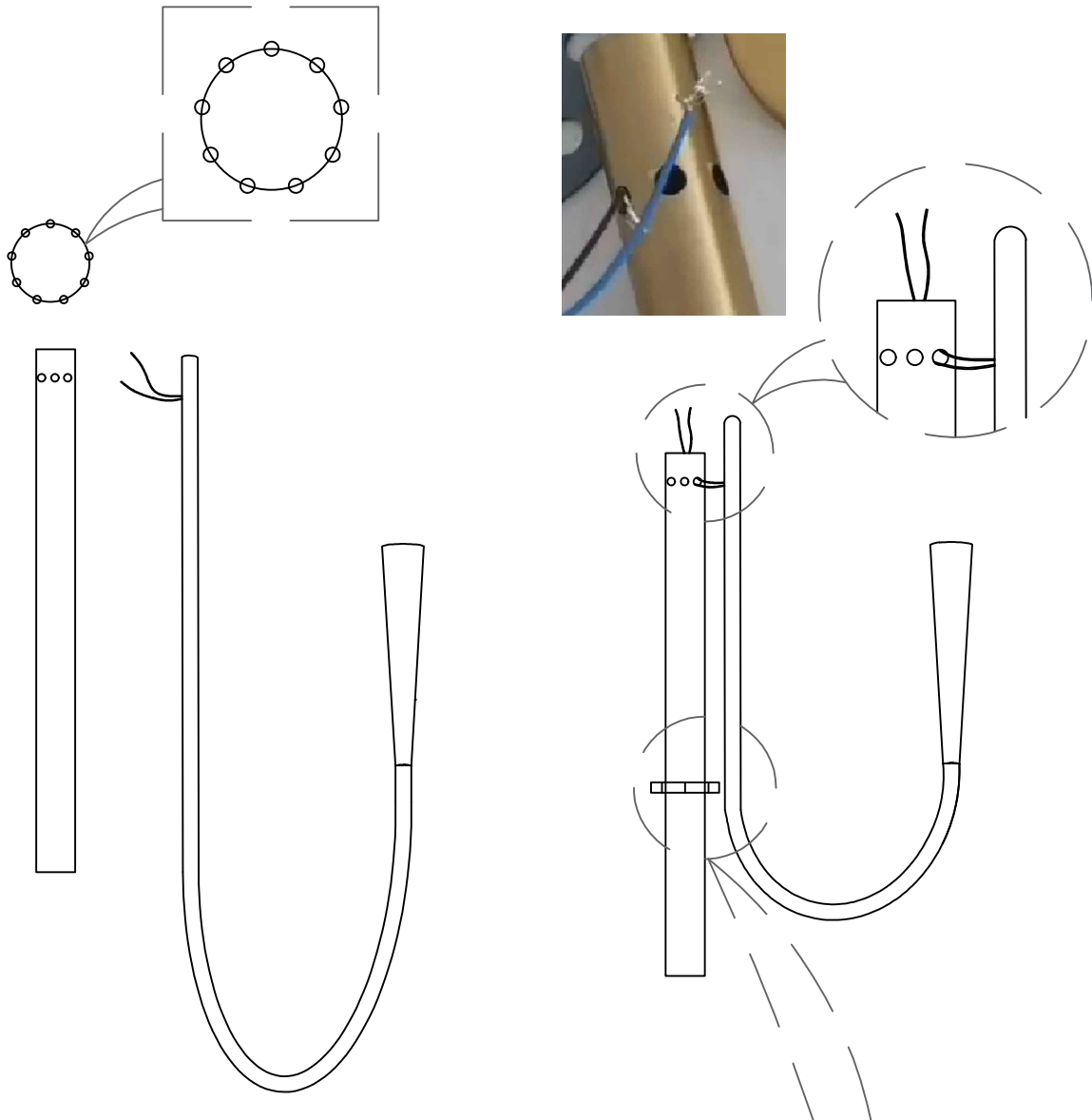


Remove the accessories from the light pole



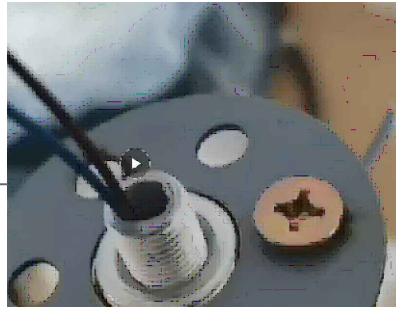
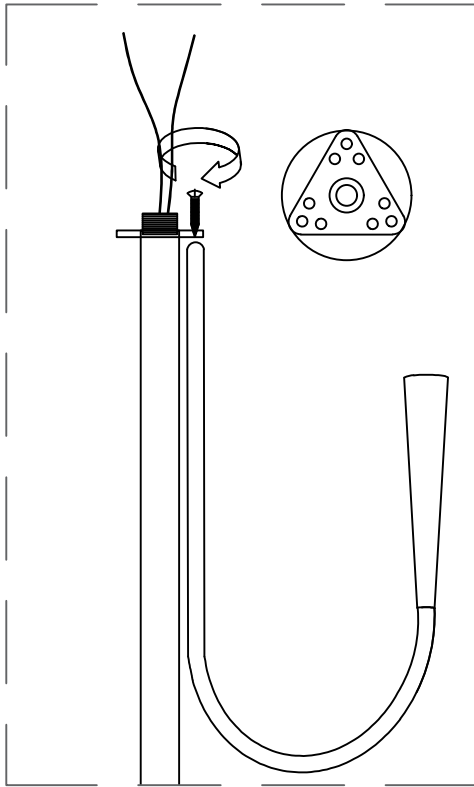
Remove the screws on the lamp arm

2

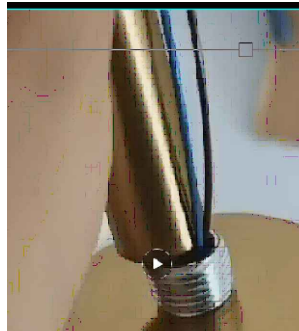
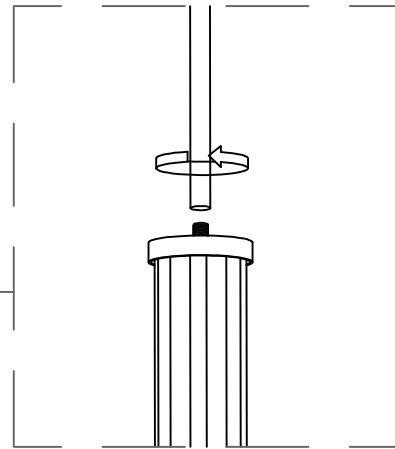


The wires on the lamp arm are inserted into the holes on the lamp pole, and the lower part of the lamp arm is clamped on the accessories.

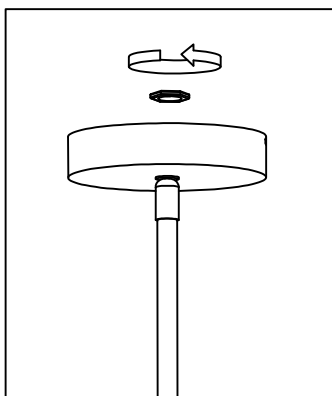
3



Re-fix the lamp pole and lamp arm with the screws that were previously removed

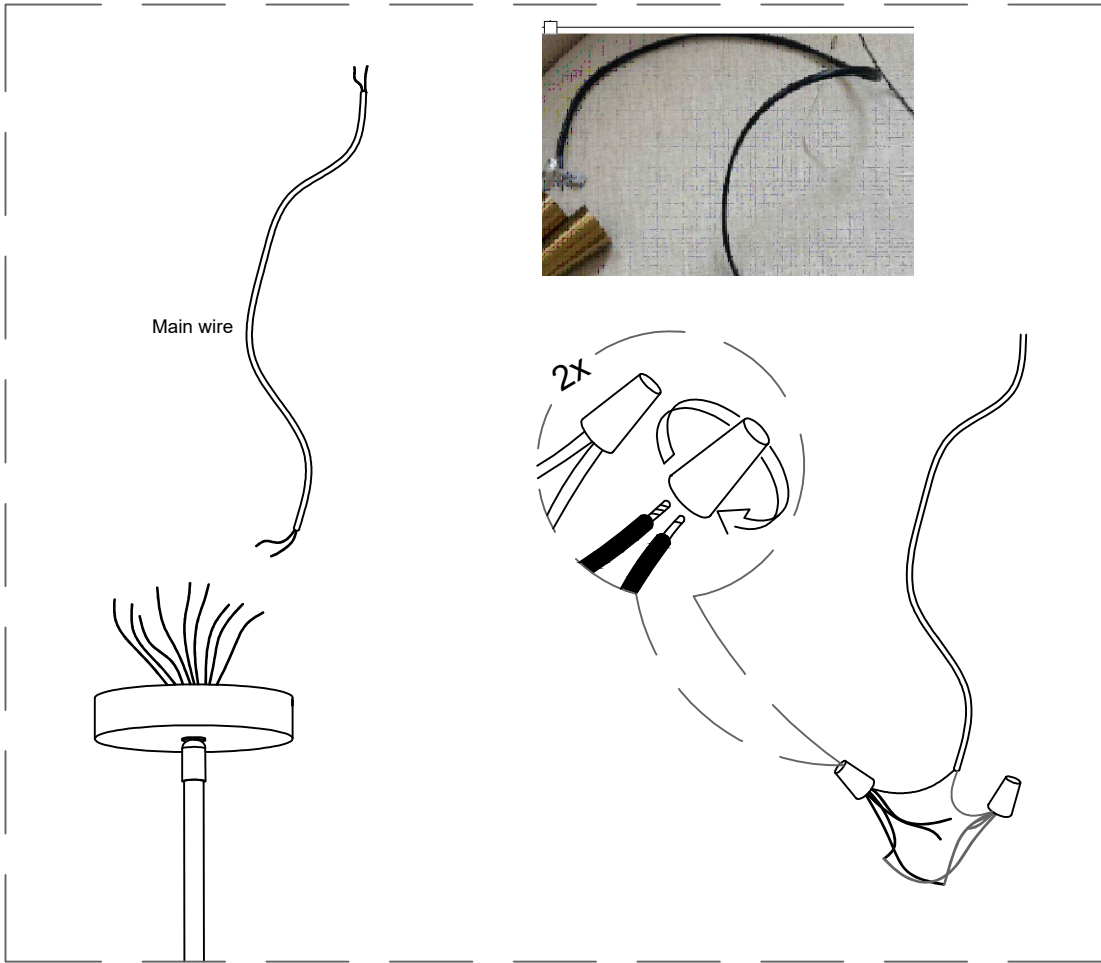


Twist into the boom

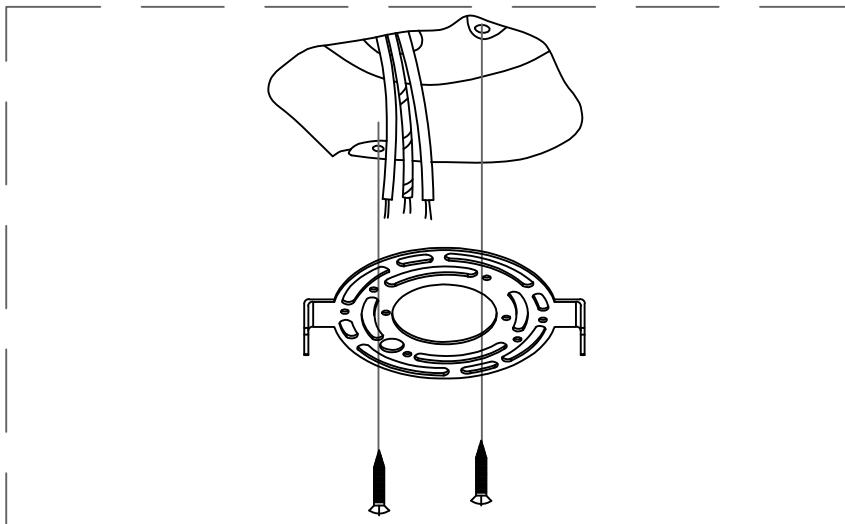


Install the ceiling cup

4

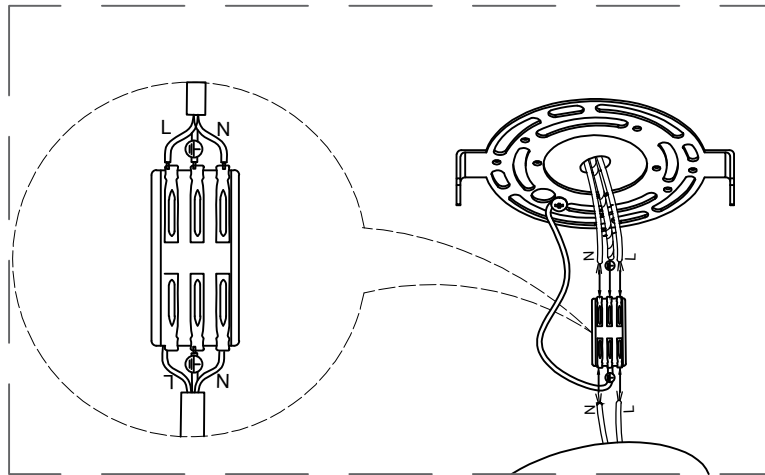
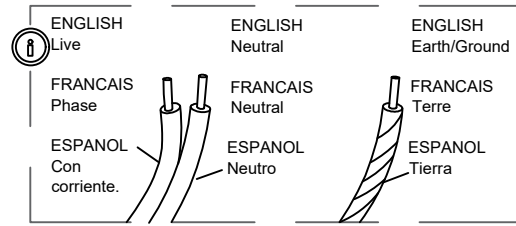


The main line is connected to the wires of the same color

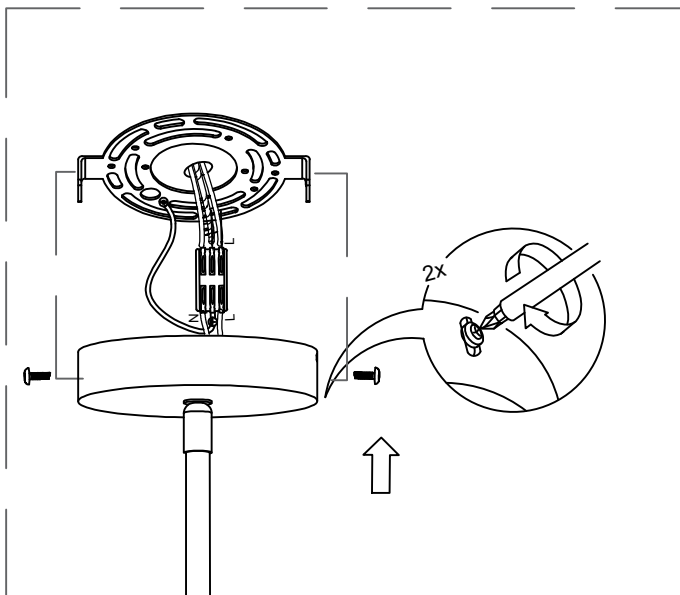


Fasten the hanging board to the ceiling with screws

5



The wires in the home are connected to the wires in the lamps through the wire terminals



The side screws fix the lamp body to the ceiling plate