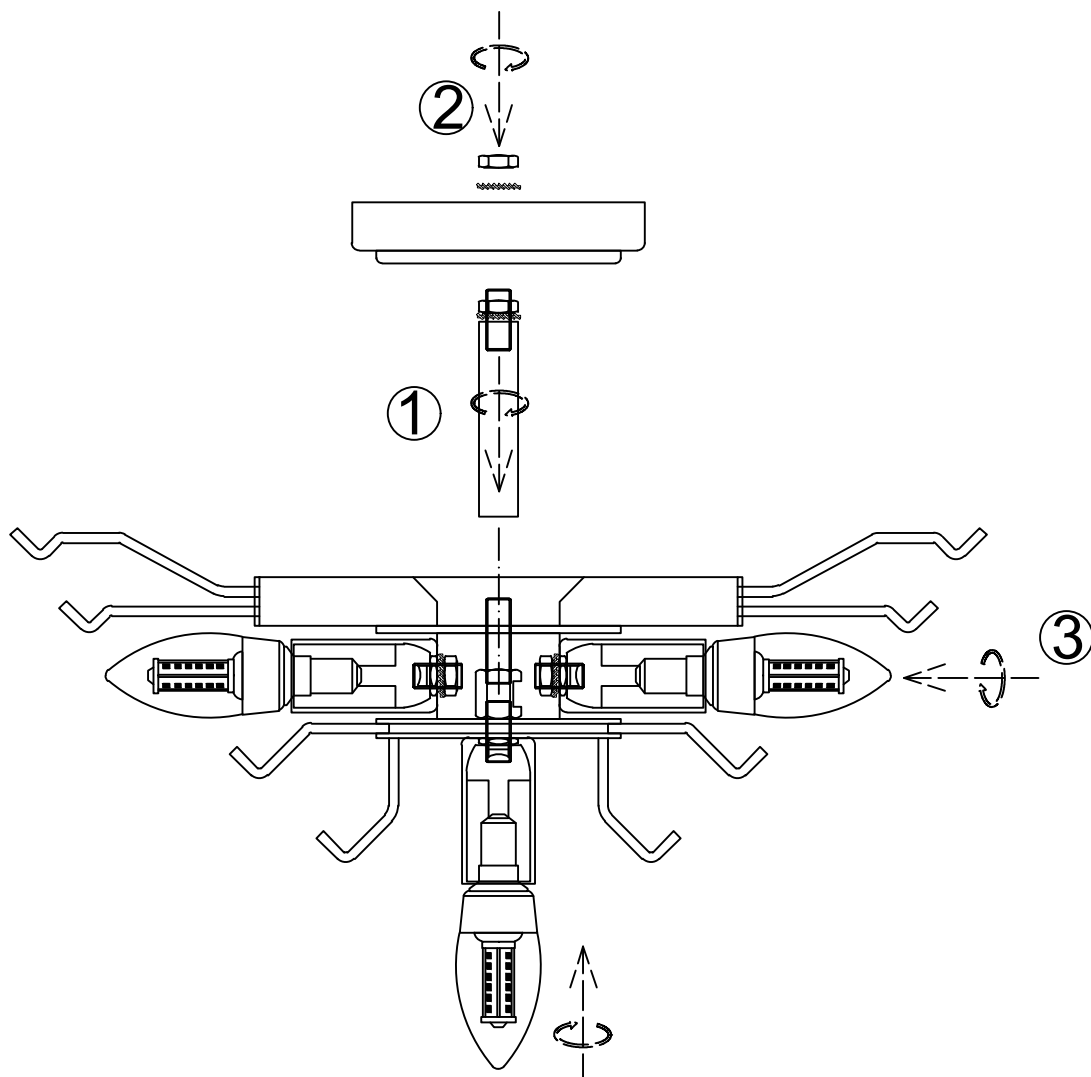
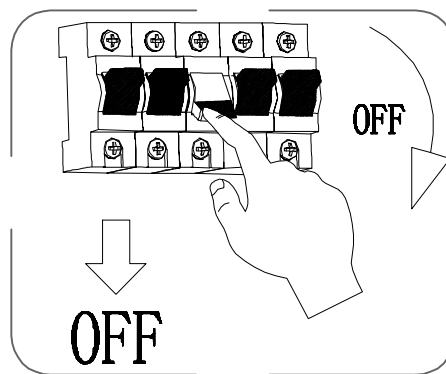


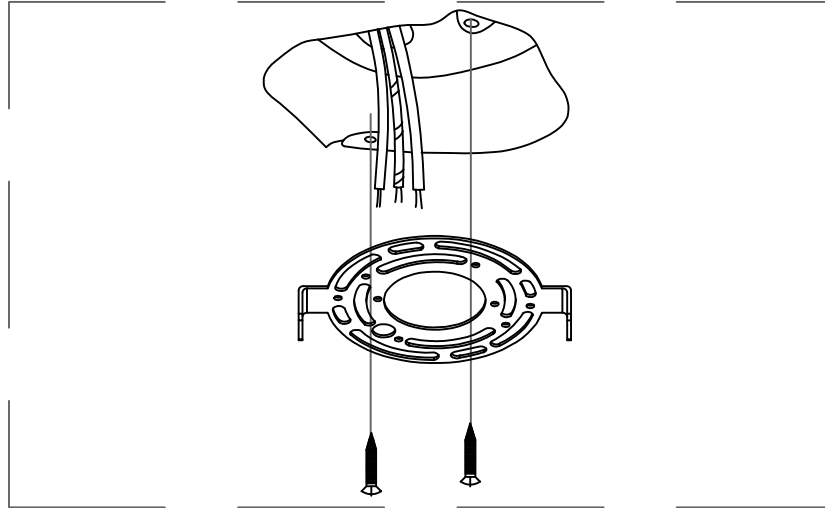
# 1



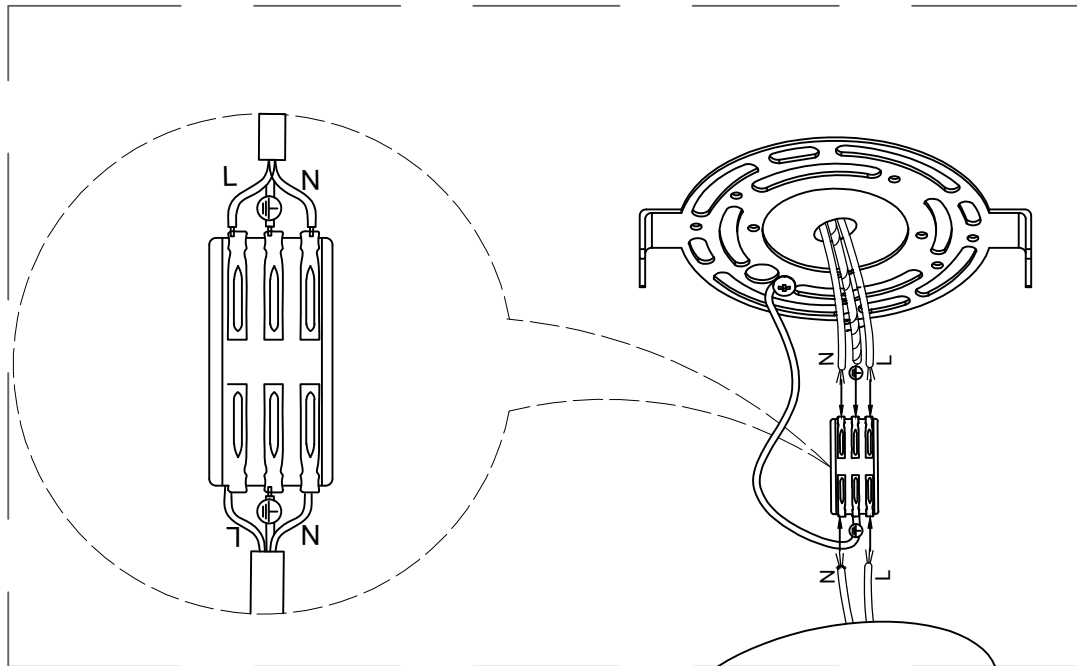
1 Assemble the lamp body

2 Installing light source

# 2

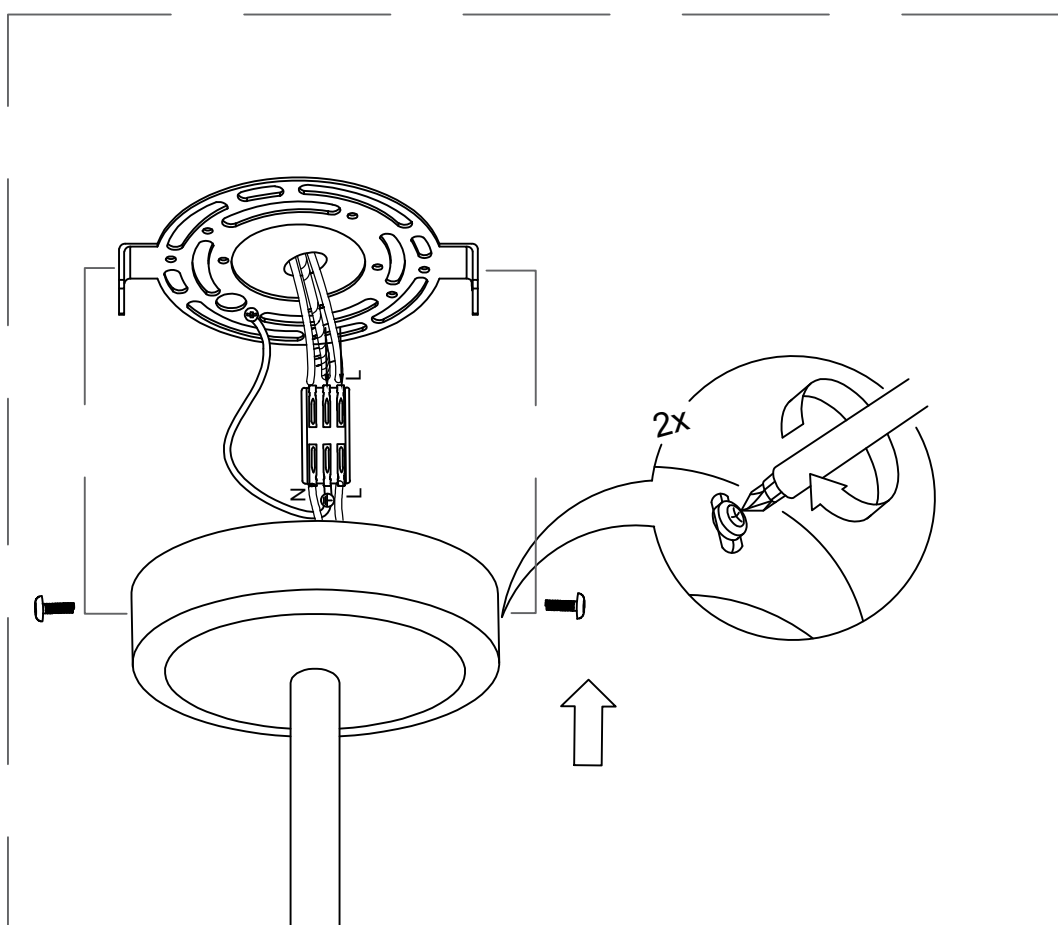


Fasten the hanging board to the ceiling with screws



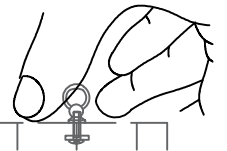
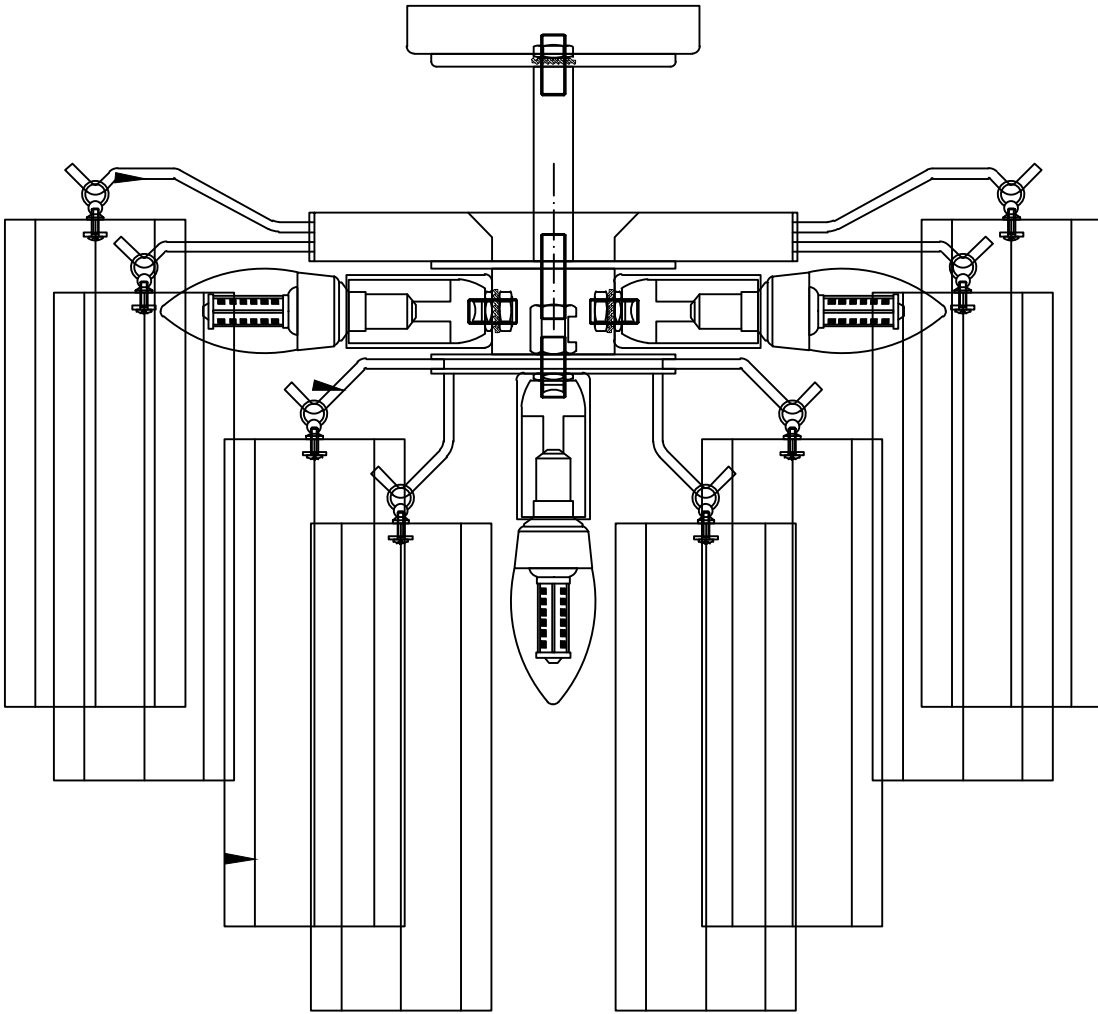
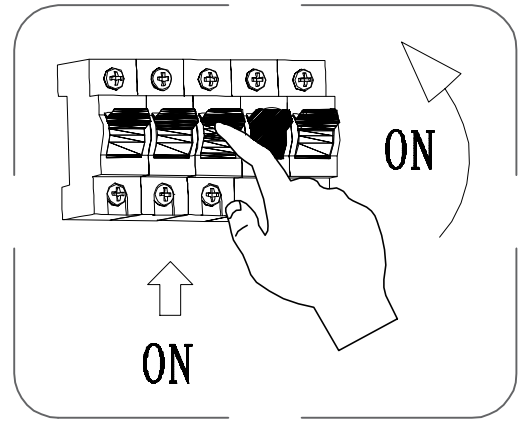
The wires in the home are connected to the wires in the lamps through the wire terminals

3



The side screws fix the lamp body to the ceiling plate

4



Hanging glass