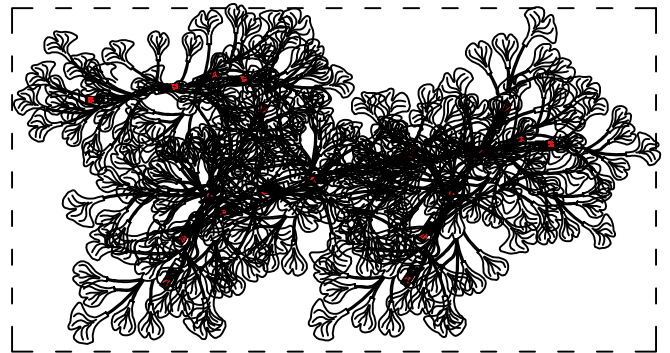


Premium metal art decorative lamp body 1



Vertical view

Premium metal art decorative lamp body 2

Front view

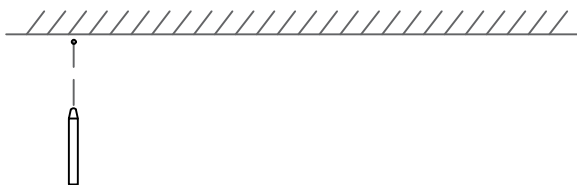
# 1

Premium metal art decorative lamp body 1



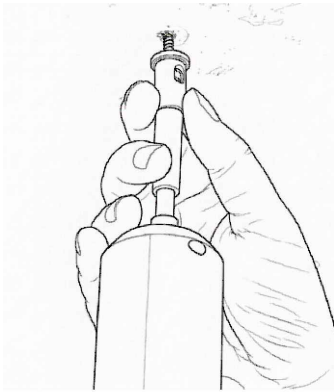
Premium metal art decorative lamp body 2

Place the lamps on a flat and clean surface, and the lamps are spliced

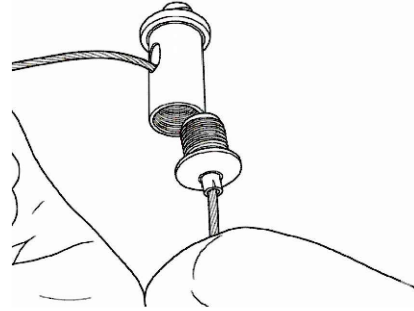


Mark the place on the ceiling where expansion screws need to be made

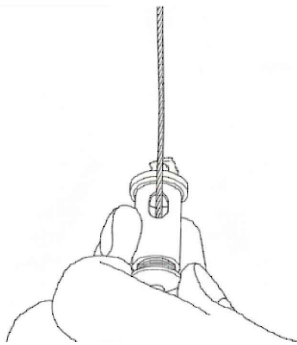
2



The small ceiling cover is first screwed to the ceiling

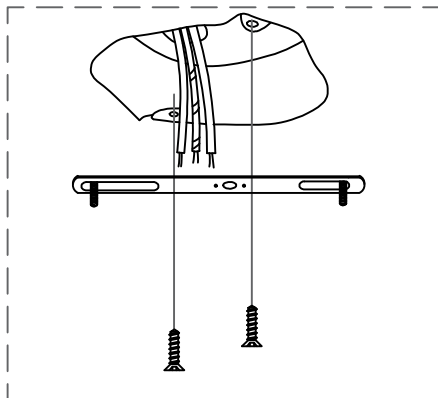


The wire hanging wire on the lamp body is inserted into the small ceiling cover and then passed through the side holes

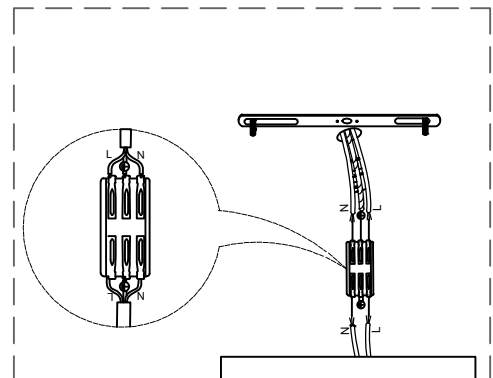


Tighten and fix

Note: The length of the wire rope can be adjusted by pressing the lower end of the tension head



Fasten the hanging board to the ceiling with screws



The wires in the home are connected to the wires in the lamps through the wire terminals

3

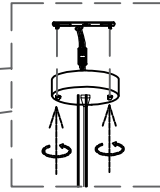


Hang the lamp body 1 first, and adjust the position and height

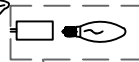
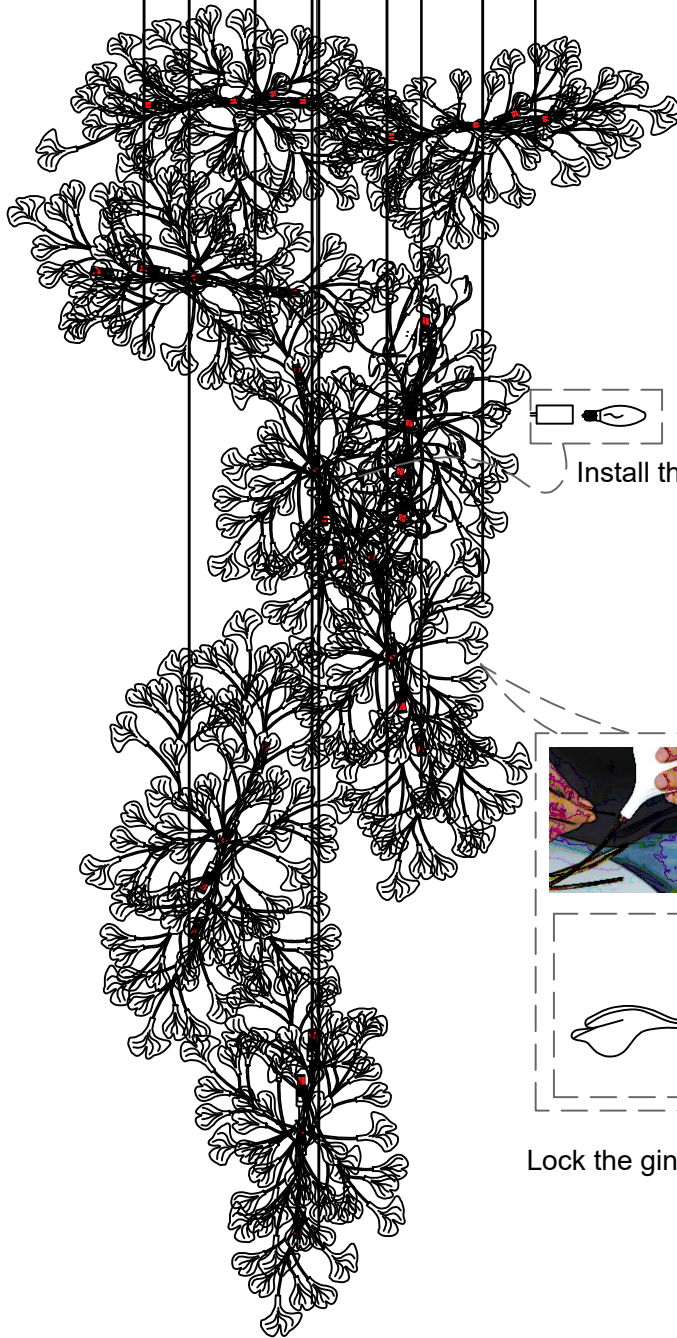


After the lamp body 1 is hung, adjust the wire length and height of the lamp body 2, and then hang it up

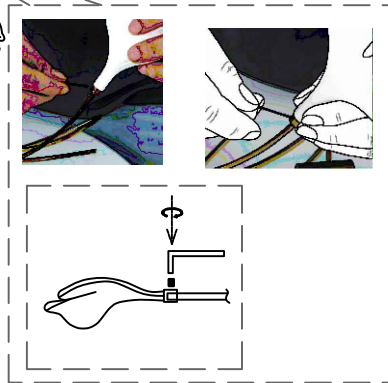
4



Use hand-made nuts to fix the lamp body on the hanging board



Install the light source



Lock the ginkgo leaves with a hex wrench