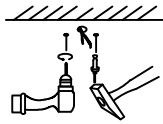
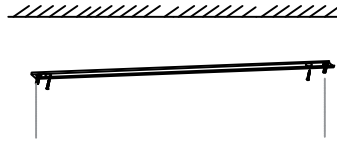


1



Drill holes in the ceiling and insert expansion screws

2

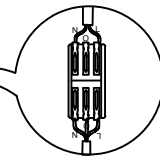


Install the hanging plate on the ceiling

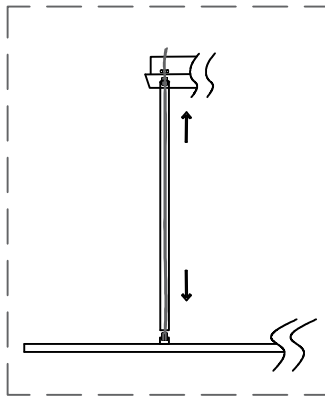
3



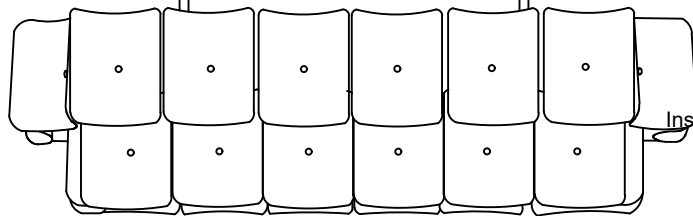
Install the lamp body on the hanging plate



The electric wires in the home connect to the light fixtures



Mounting lamp body



Installing lampshade

