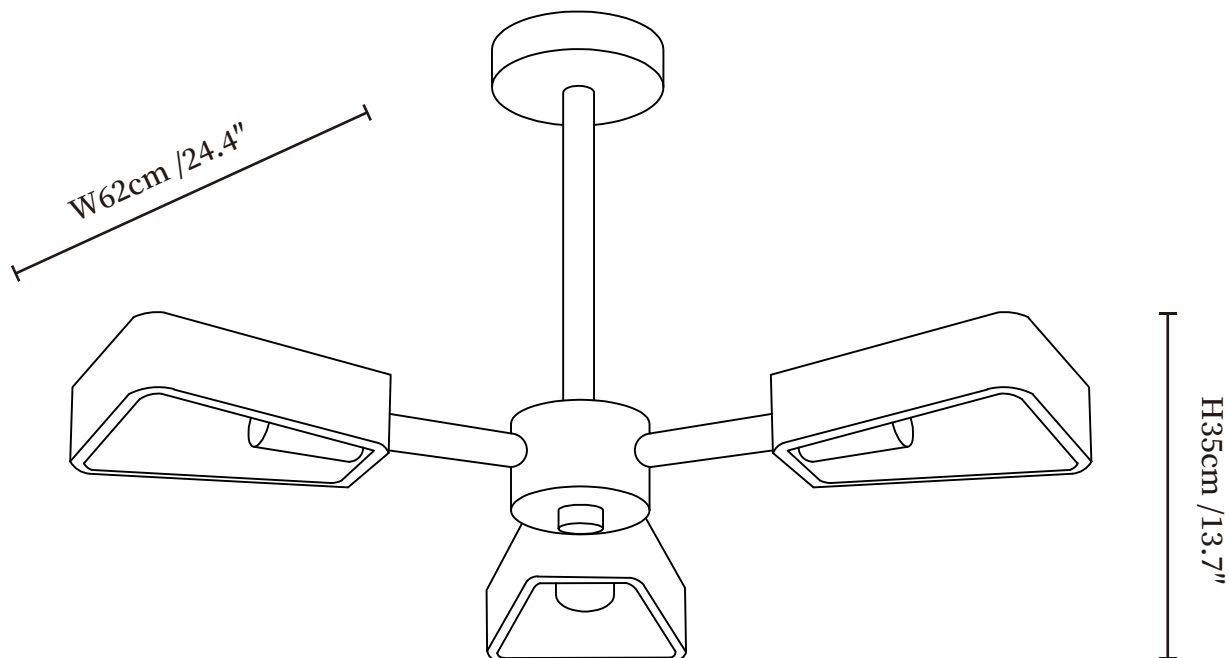


# SPECIFICATION SHEET

---



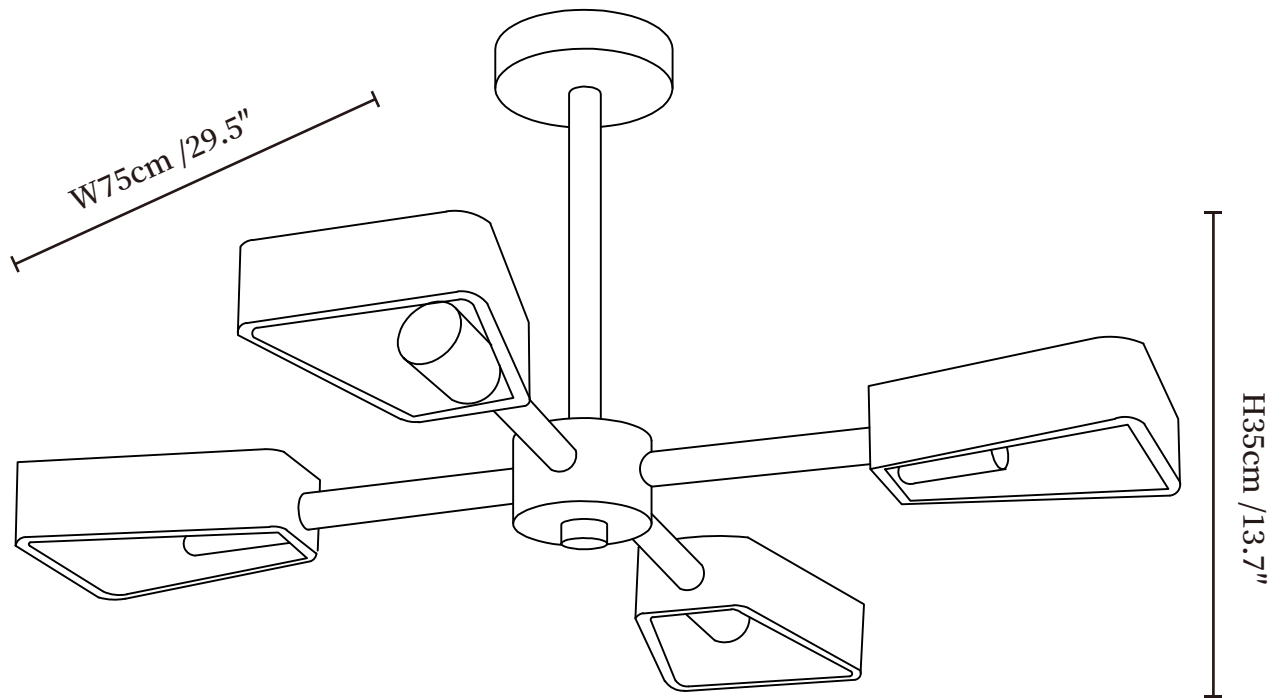
## SPECIFICATION DETAILS

\*For custom options, consult factory for details

<b>Fixture Dimensions</b>	W 24.4" x H 13.7"
<b>Light source</b>	E26 or E27. (bulb not included)
<b>Wattage</b>	MAX 15W incandescent bulb or LED equivalent.
<b>Voltage</b>	AC 110-240V
<b>Mounting</b>	Hardwired.
<b>Dimming</b>	Compatible with dimmable bulbs (bulb not included)
<b>Control method</b>	Compatible with common wall switches (not included)
<b>Finishes</b>	Yellow Travertine, Wood Color, Walnut Color.
<b>Shade Details</b>	Yellow Travertine.
<b>Material</b>	Yellow Travertine, Wood.
<b>Rod Length</b>	Suspension rod is 11.8", and can be spliced as needed.

# SPECIFICATION SHEET

---



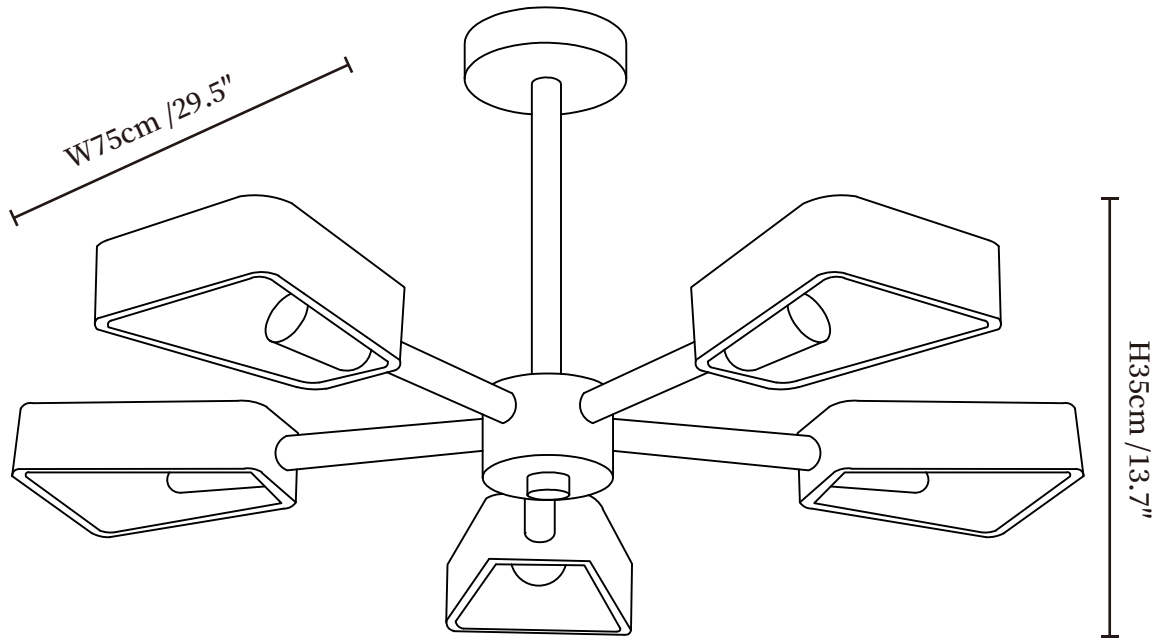
## SPECIFICATION DETAILS

\*For custom options, consult factory for details

<b>Fixture Dimensions</b>	W 29.5" x H 13.7"
<b>Light source</b>	E26 or E27.(bulb not included)
<b>Wattage</b>	MAX 15W incandescent bulb or LED equivalent.
<b>Voltage</b>	AC 110-240V
<b>Mounting</b>	Hardwired.
<b>Dimming</b>	Compatible with dimmable bulbs (bulb not included)
<b>Control method</b>	Compatible with common wall switches(not included)
<b>Finishes</b>	Yellow Travertine, Wood Color, Walnut Color.
<b>Shade Details</b>	Yellow Travertine.
<b>Material</b>	Yellow Travertine, Wood.
<b>Rod Length</b>	Suspension rod is 11.8", and can be spliced as needed.

# SPECIFICATION SHEET

---



## SPECIFICATION DETAILS

\*For custom options, consult factory for details

<b>Fixture Dimensions</b>	W 29.5" x H 13.7"
<b>Light source</b>	E26 or E27.(bulb not included)
<b>Wattage</b>	MAX 15W incandescent bulb or LED equivalent.
<b>Voltage</b>	AC 110-240V
<b>Mounting</b>	Hardwired.
<b>Dimming</b>	Compatible with dimmable bulbs (bulb not included)
<b>Control method</b>	Compatible with common wall switches(not included)
<b>Finishes</b>	Yellow Travertine, Wood Color, Walnut Color.
<b>Shade Details</b>	Yellow Travertine.
<b>Material</b>	Yellow Travertine, Wood.
<b>Rod Length</b>	Suspension rod is 11.8", and can be spliced as needed.