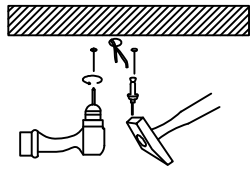
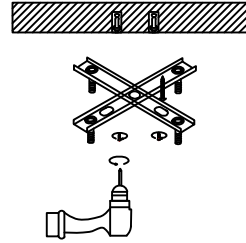


1



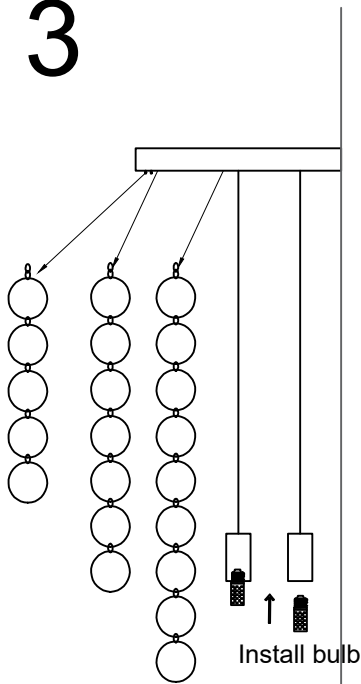
Drill holes in the cell and  
insert expansion screws

2



Install the hanging plate on the  
ceiling

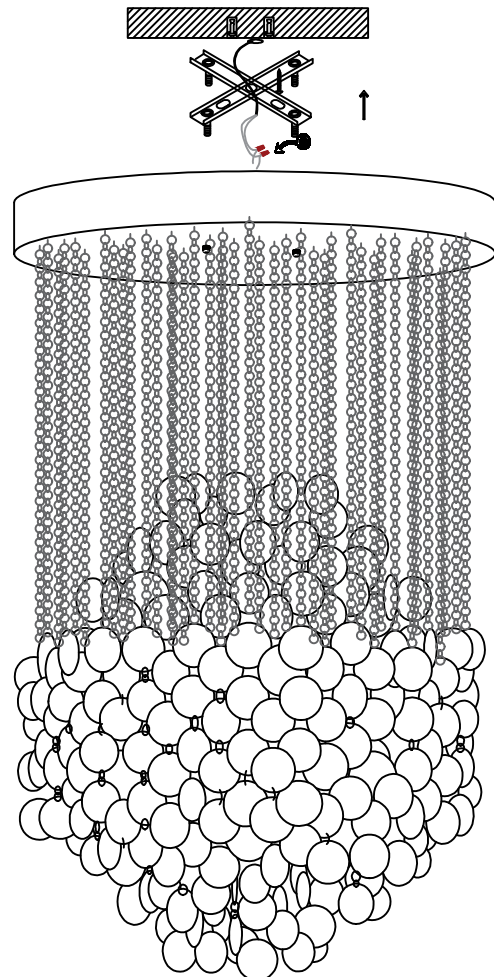
3



Hang the glass string on  
the top plate

Install bulb

4



Install the lamp body on the  
hanging plate