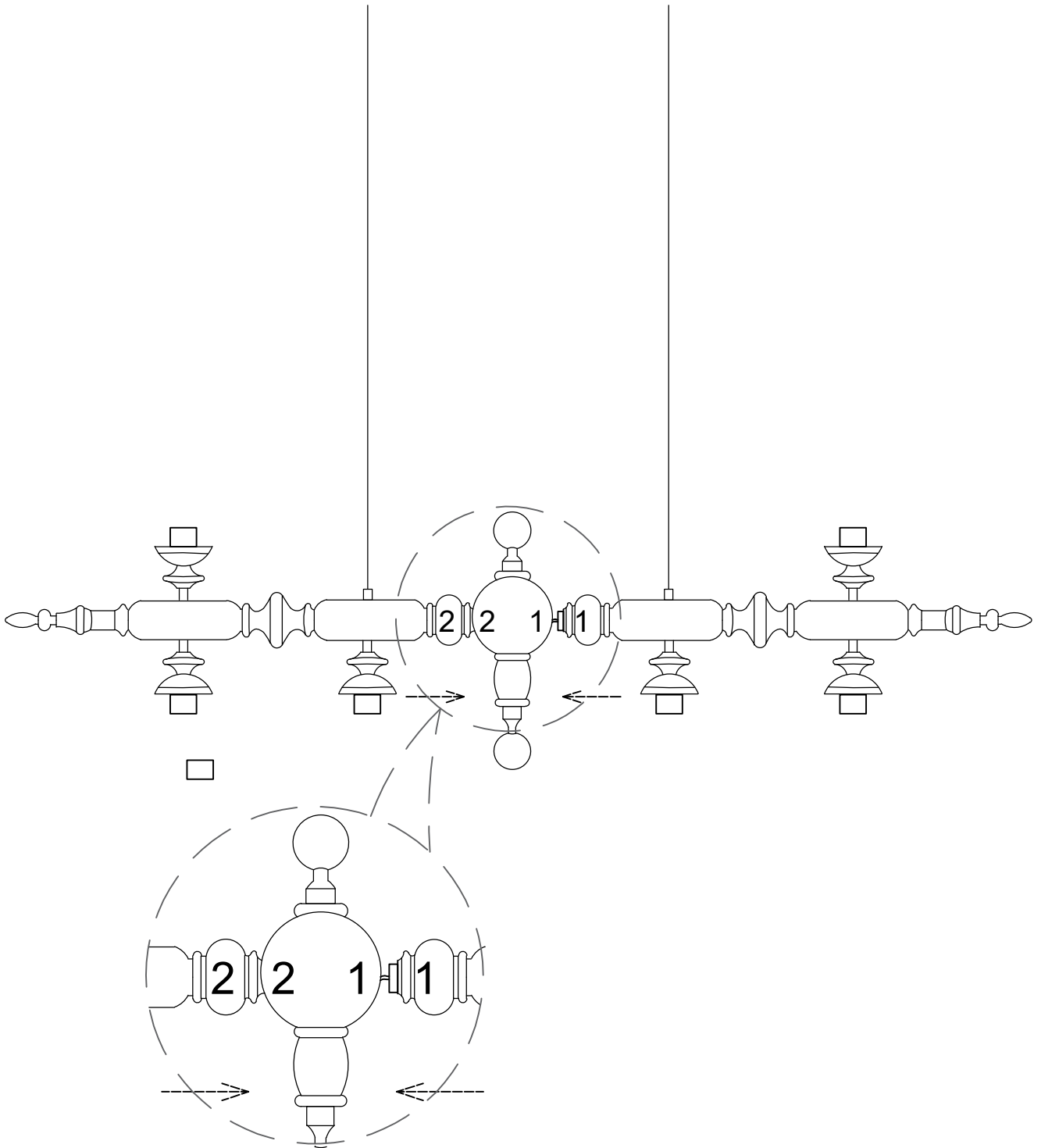
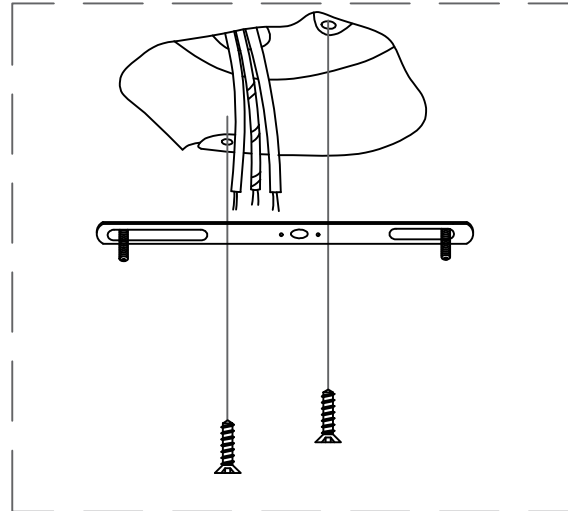


# 1

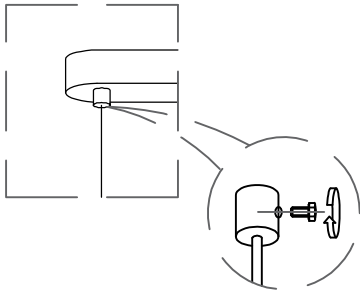


First, assemble the lamp body (1 to 1 2 to 2) interface

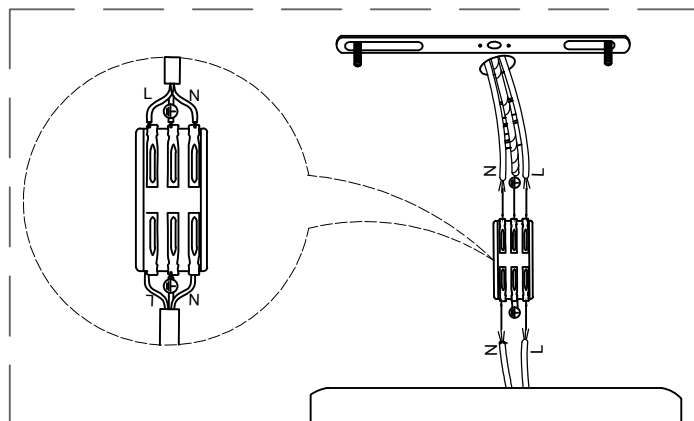
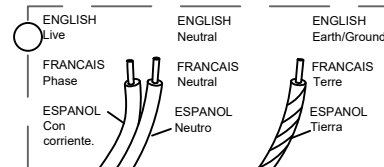
# 2



Fasten the hanging board to the ceiling with screws

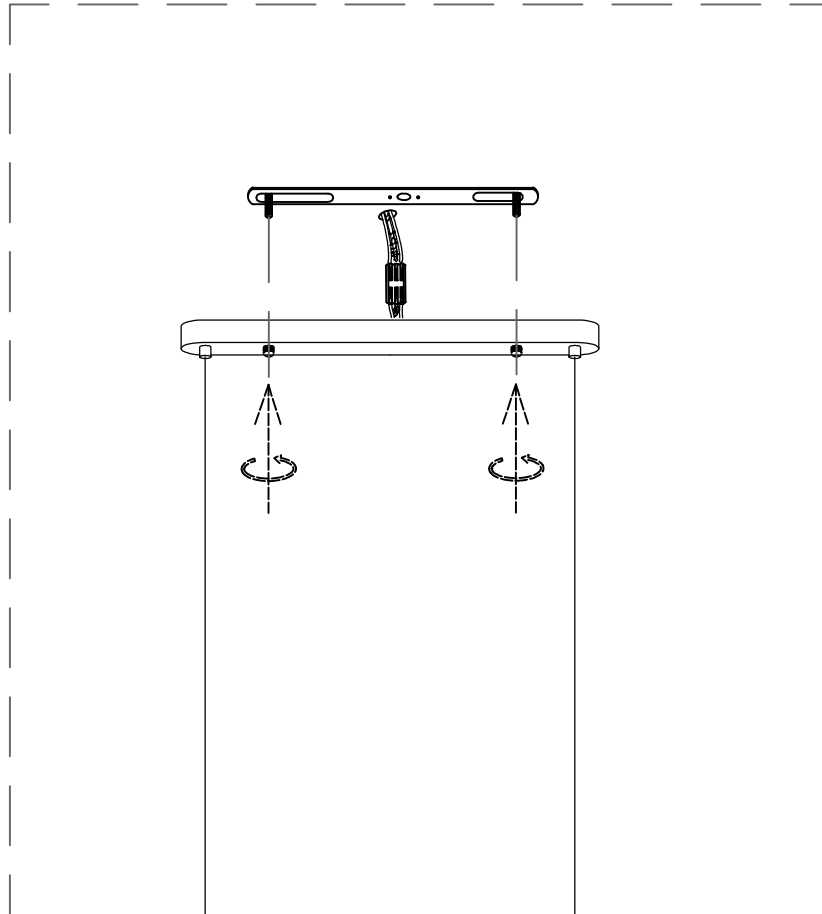


After adjusting the line length, fix it with screws.



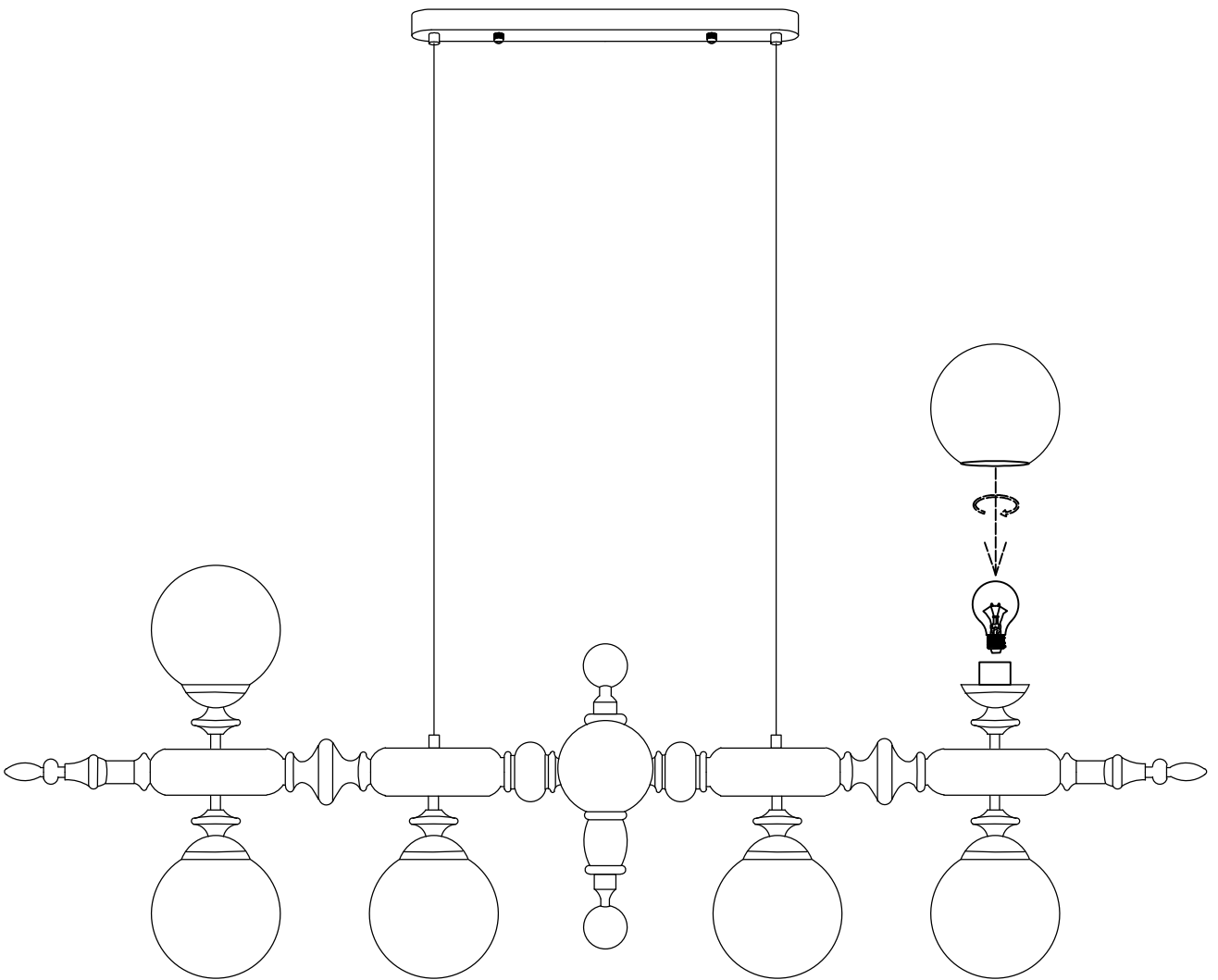
The wires in the home are connected to the wires in the lamps through the wire terminals

3



Use hand-made nuts to fix the lamp body on the hanging board

4



Installing light source and lampshade