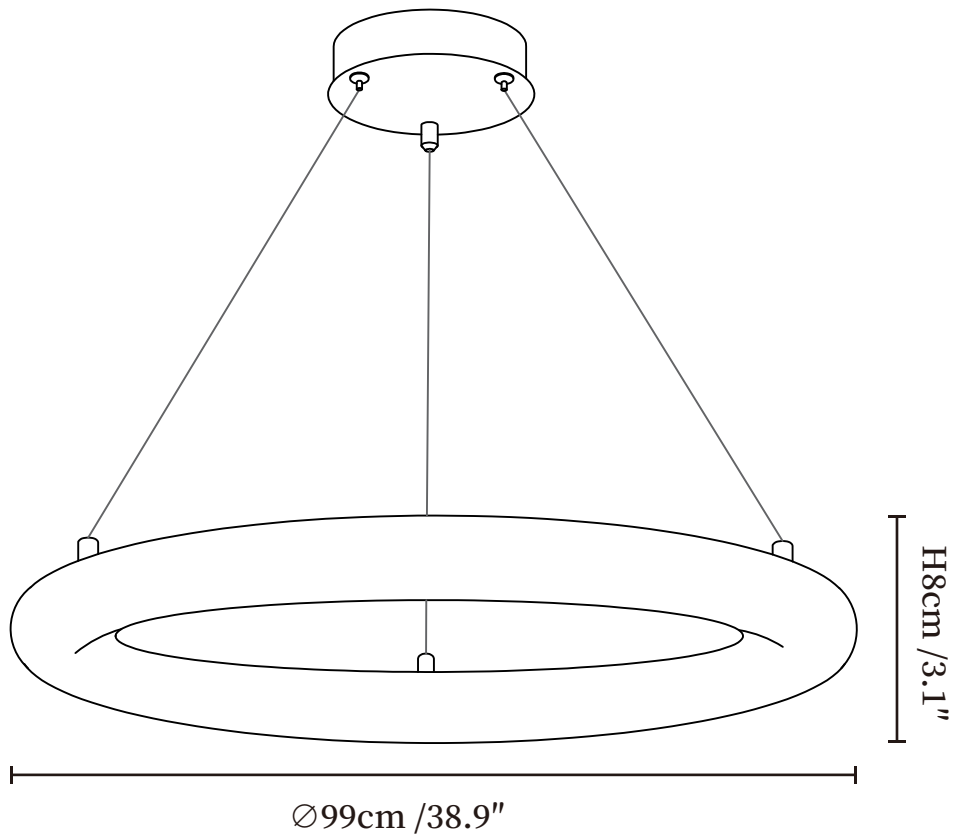


SPECIFICATION SHEET

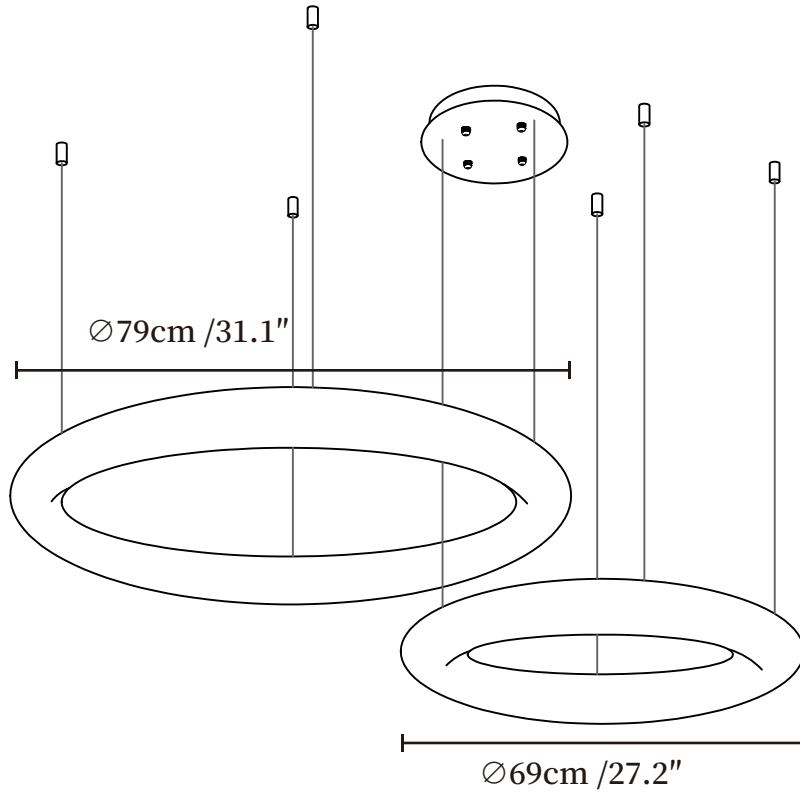


SPECIFICATION DETAILS

*For custom options, consult factory for details

Fixture Dimensions	$\varnothing 15.4'' \times H 3.1''$ $\varnothing 19.3'' \times H 3.1''$ $\varnothing 23.2'' \times H 3.1''$ $\varnothing 27.2'' \times H 3.1''$ $\varnothing 31.1'' \times H 3.1''$ $\varnothing 35.0'' \times H 3.1''$ $\varnothing 38.9'' \times H 3.1''$
Light source	Integrated LED
Wattage	Total power ~24 watts
Voltage	AC 110-240V
Dimming	Not supported
CRI(Ra)	90+CRI
Mounting	Hardwired.
LED Rated Life	50000 hours
Color Temperature	Warm Light (3000K), Neutral Light (4000K), Cool Light (6000K)
Control method	Compatible with common wall switches(not included)
Finishes	Gold.
Shade Details	White.
Material	Metal, Alabaster.
Wire Length	The standard length of the cord is 59" (150 cm), the length is adjustable.

SPECIFICATION SHEET

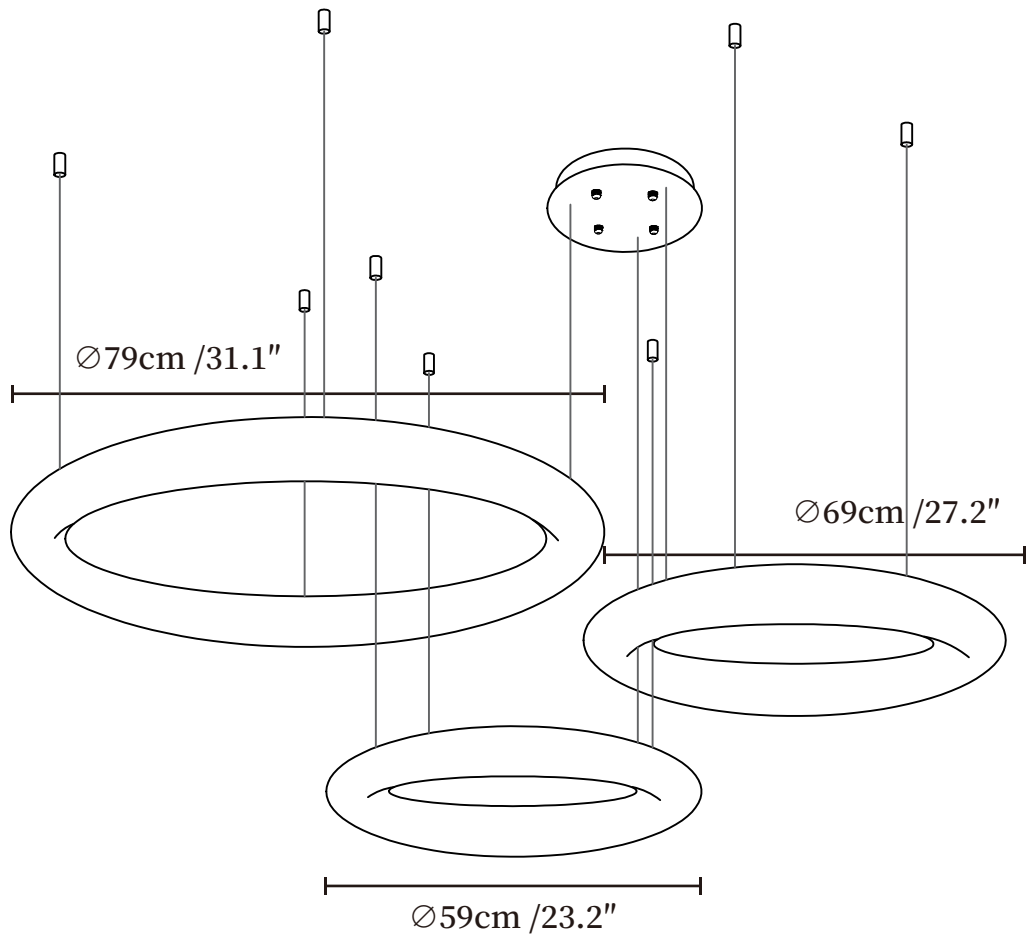


SPECIFICATION DETAILS

*For custom options, consult factory for details

Fixture Dimensions	Ø 27.2" + 31.1"
Light source	Integrated LED
Wattage	Total power ~24 watts
Voltage	AC 110-240V
Dimming	Not supported
CRI(Ra)	90+CRI
Mounting	Hardwired.
LED Rated Life	50000 hours
Color Temperature	Warm Light (3000K), Neutral Light (4000K), Cool Light (6000K)
Control method	Compatible with common wall switches (not included)
Finishes	Gold.
Shade Details	White.
Material	Metal, Alabaster.
Wire Length	The standard length of the cord is 59" (150 cm), the length is adjustable.

SPECIFICATION SHEET



SPECIFICATION DETAILS

*For custom options, consult factory for details

Fixture Dimensions	Ø 23.2" + 27.2" + 31.1"
Light source	Integrated LED
Wattage	Total power ~24 watts
Voltage	AC 110-240V
Dimming	Not supported
CRI(Ra)	90+CRI
Mounting	Hardwired.
LED Rated Life	50000 hours
Color Temperature	Warm Light (3000K), Neutral Light (4000K), Cool Light (6000K)
Control method	Compatible with common wall switches (not included)
Finishes	Gold.
Shade Details	White.
Material	Metal, Alabaster.
Wire Length	The standard length of the cord is 59" (150 cm), the length is adjustable.