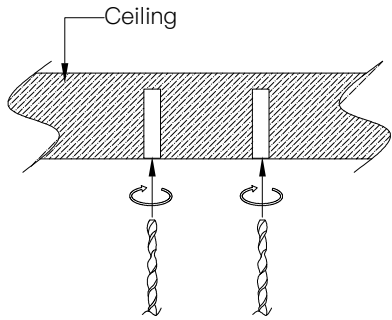


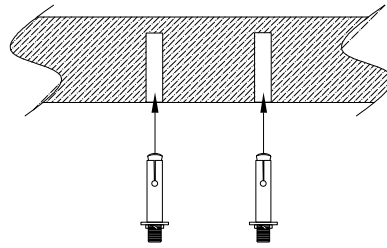
4:Fix the hanging board to the ceiling

①



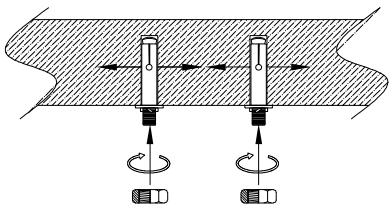
Please set the hole position and drill holes on the ceiling

②



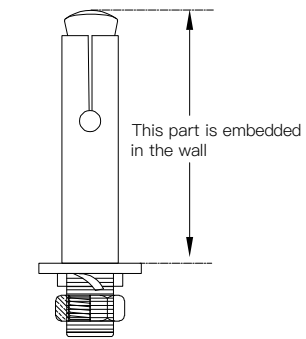
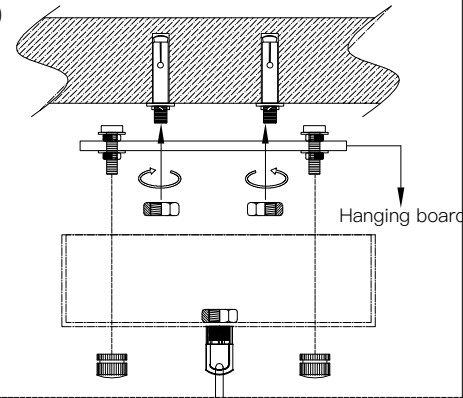
Knock the expansion screw into the hole

③



Use a wrench to tighten the nut and spread the explosive screw inside the wall

④



This part is embedded in the wall

Expansion screws

1:Tighten the lamp arm with a nut

2:The power cord of the lamp arm is connected to the main line, L/N

3:Assembly of lamp body

4:Fix the hanging board to the ceiling

5:Connect the lamp wires to the reserved wires

6:Tighten the nut to secure the lamp body

7:Installing bulb

8:Insert lampshade

