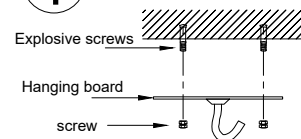
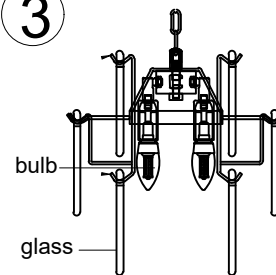


1



- 1 Position the screws and drive them into the ceiling
- 2 Screw the hanging plate to the ceiling

3

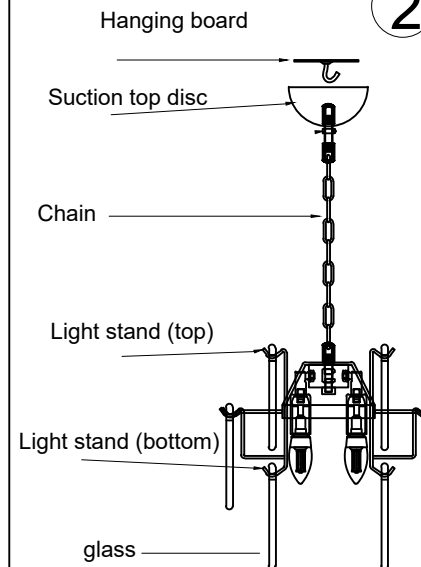


- 1 Install the bulb
- 2 Hang the round glass



Warning: To prevent accidents that threaten personal safety, such as lamp breakage, falling, electric shock, fire, etc., please install and use the lamp strictly in accordance with the instructions and do not modify the lamp or replace parts by yourself.

2



- 1 According to the above picture, the main body is installed, and the main line is led to the ceiling tray
- 2 Wiring, bucket nut to the hanging plate, and locking with meson Suction top disc