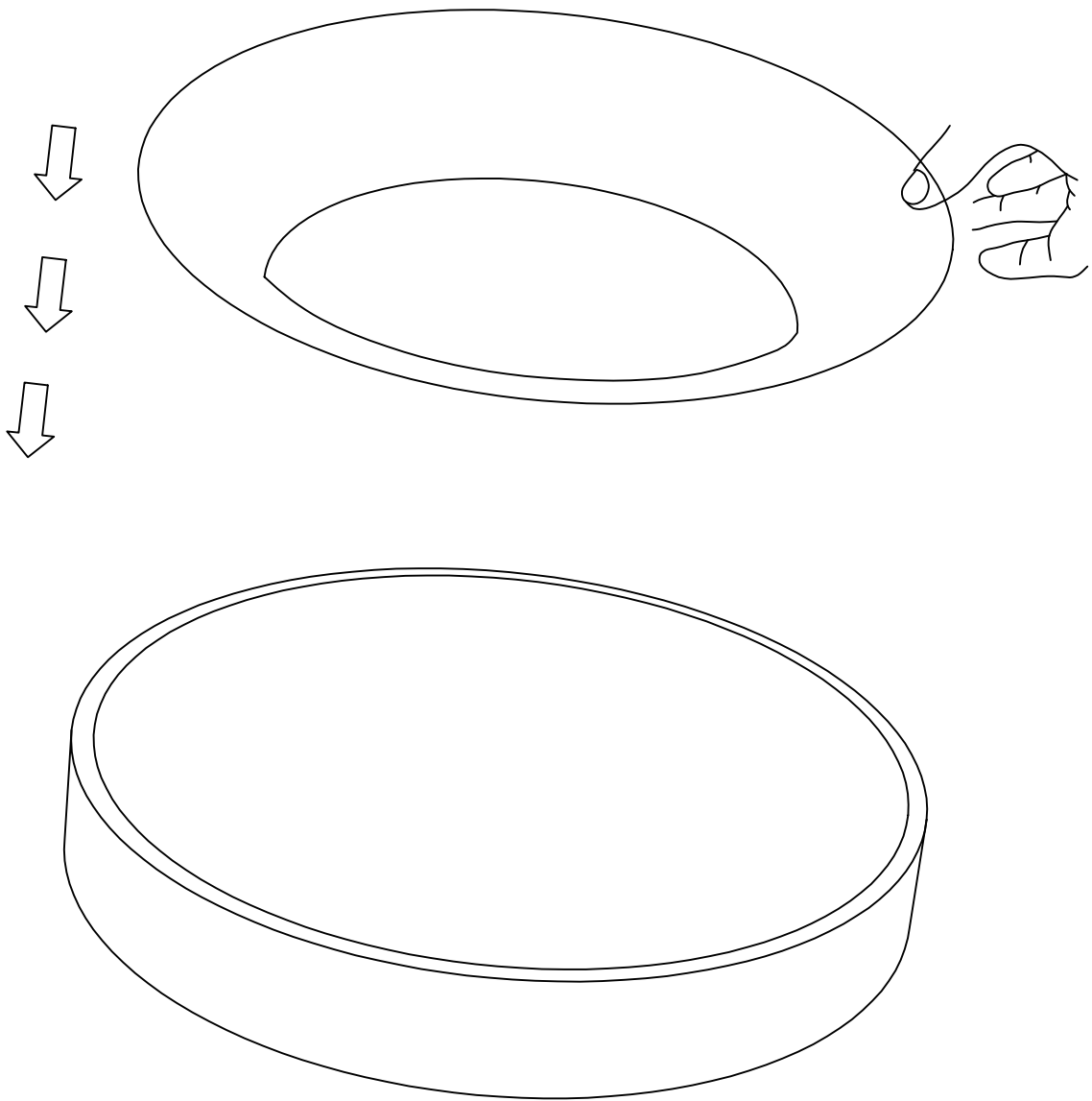
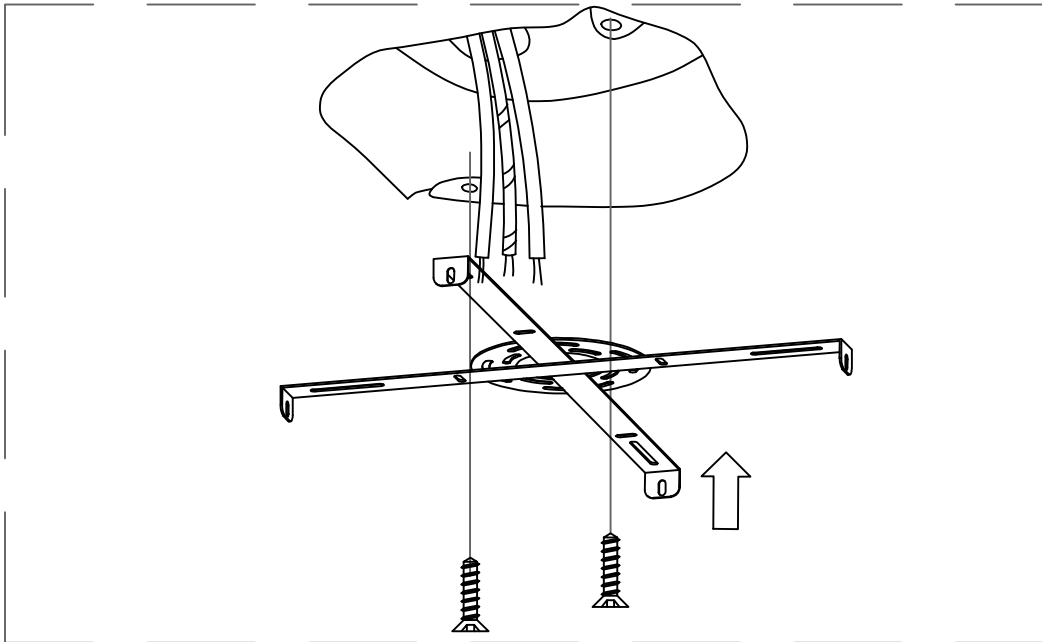


1

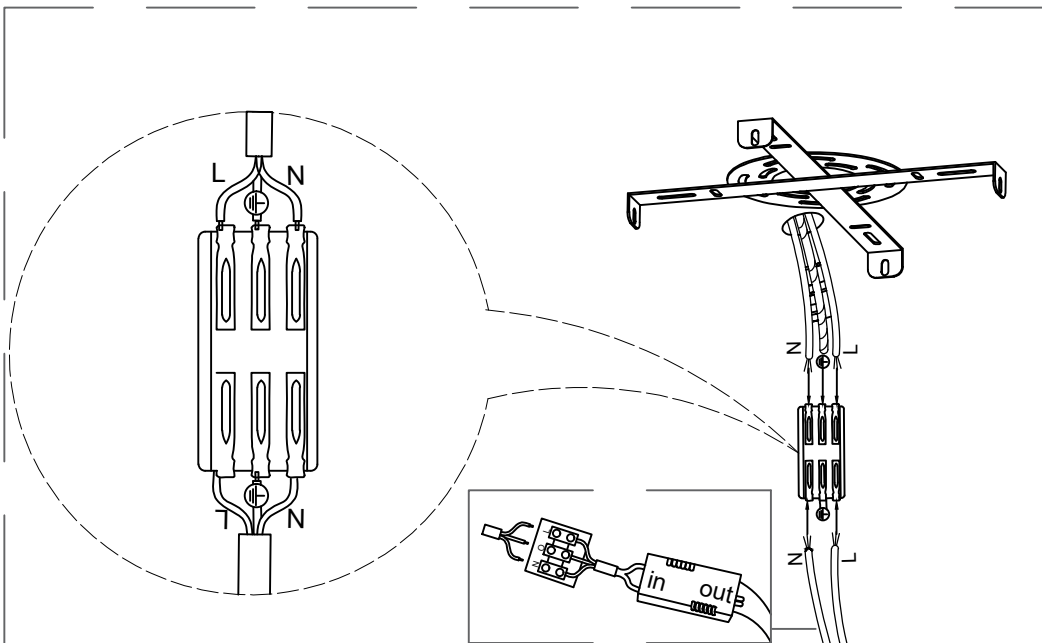


Assemble the lamp body

# 2

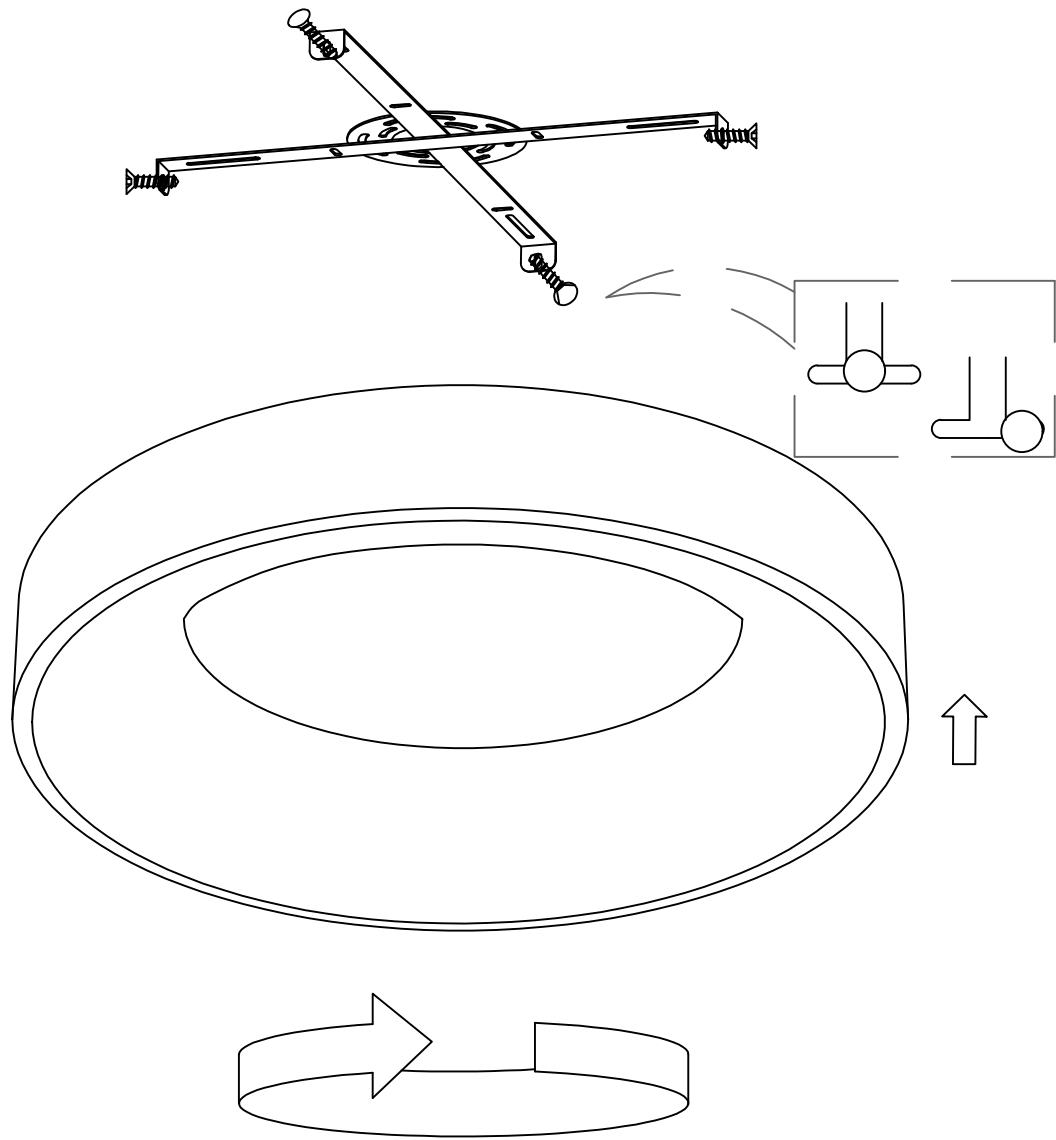


Fasten the hanging board to the ceiling with screws



The wires in the home are connected to the wires in the lamps through the wire terminals

3



The lamp is rotated and snapped into the screws of the ceiling baffle