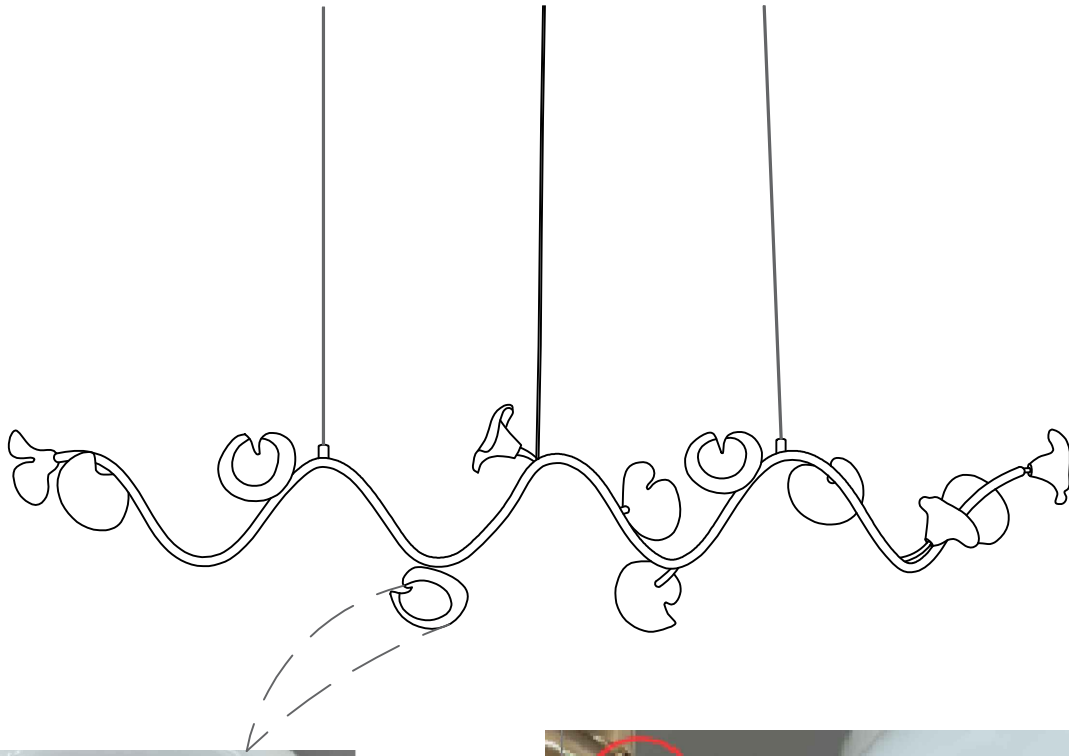


# 1

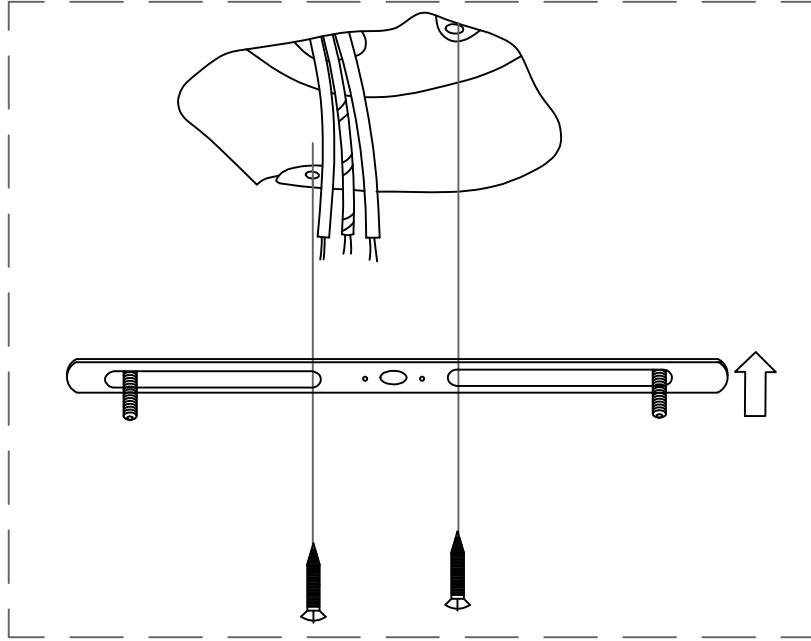


After fixing the lampshade, insert the G4 light source

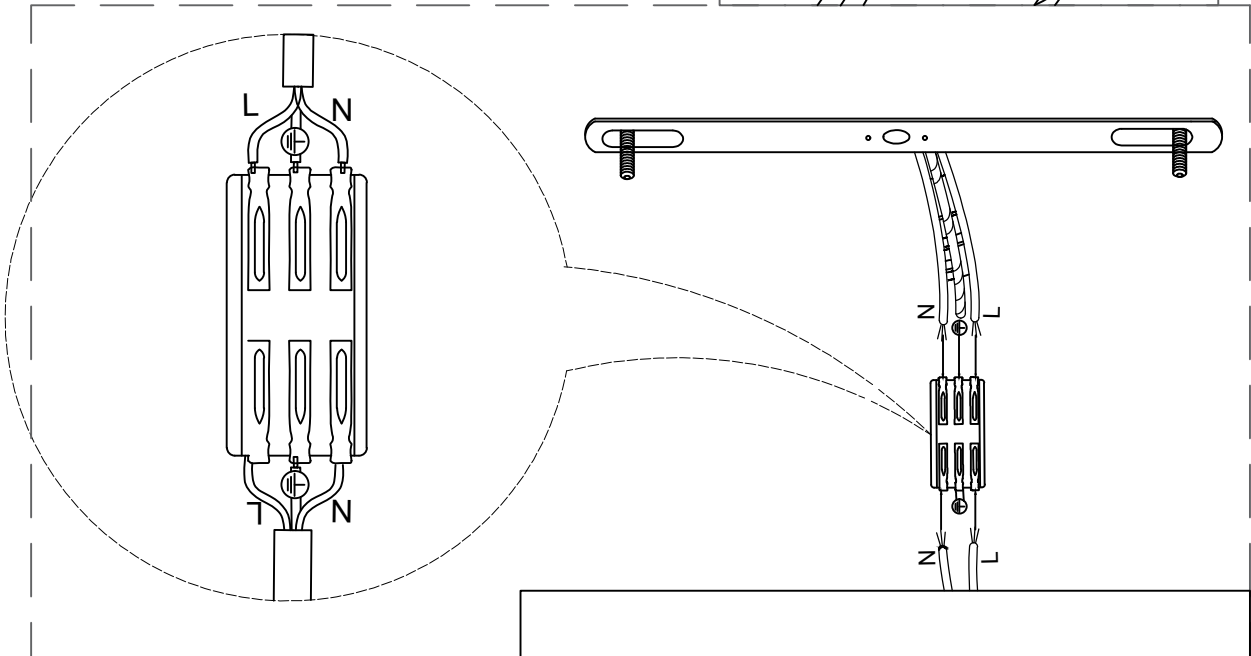
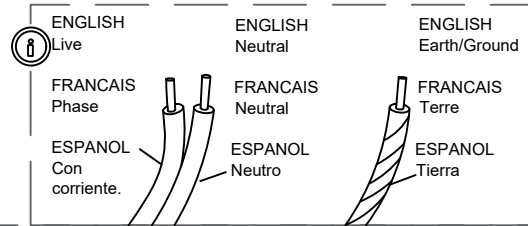


Use a hexagonal wrench to tighten the screws to adjust the direction

# 2

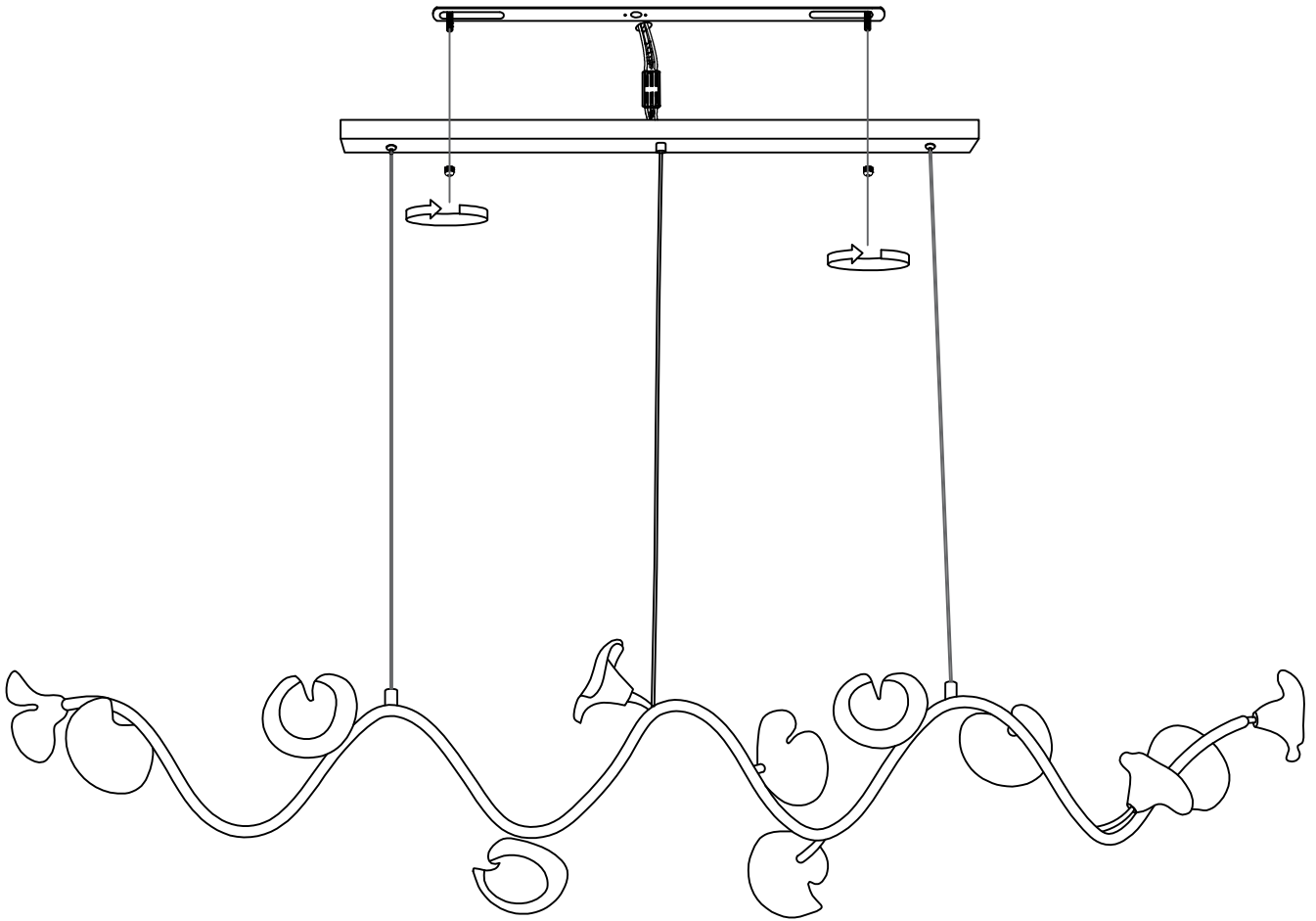


Fasten the hanging board to the ceiling with screws



The wires in the home are connected to the wires in the lamps through the wire terminals

3



Use hand-made nuts to fix the lamp body on the hanging board