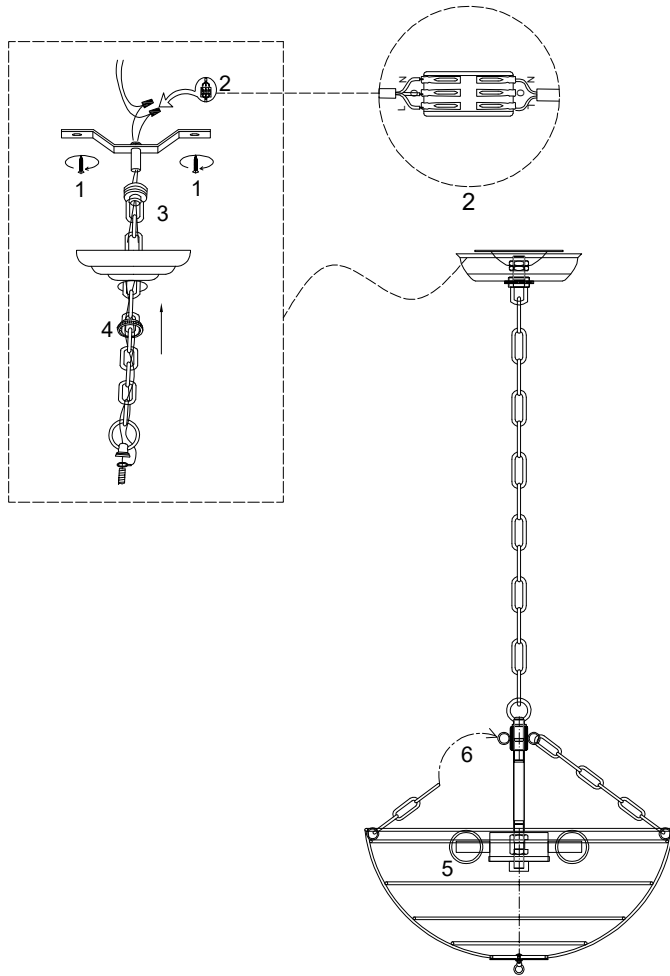
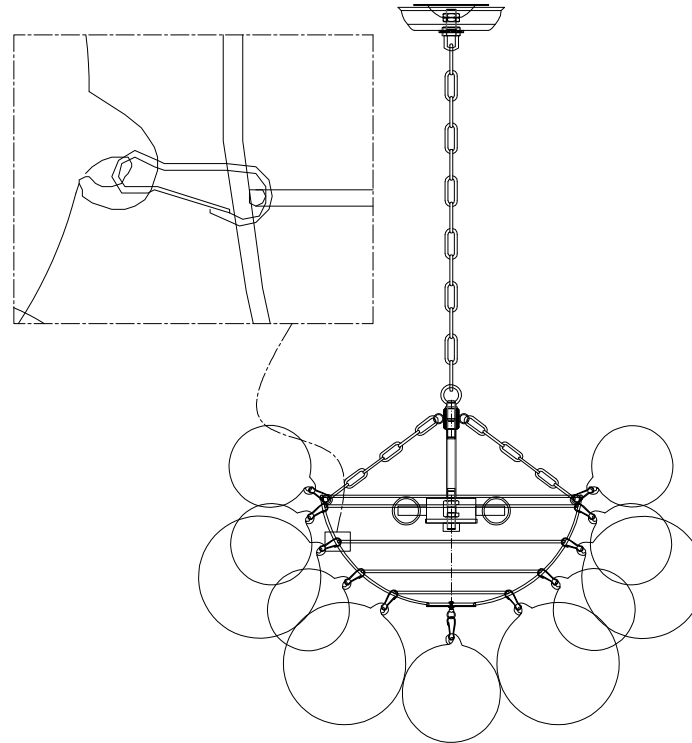


6-lights



- 1: Fix the hanging board to the ceiling
- 2: Connect the lamp wires to the reserved wires
- 3: Connect the lamp body to the hanging plate
- 4: Tighten the suction cup with a ring
- 5: Installing bulb
- 6: Hang the main body on the hanging chain

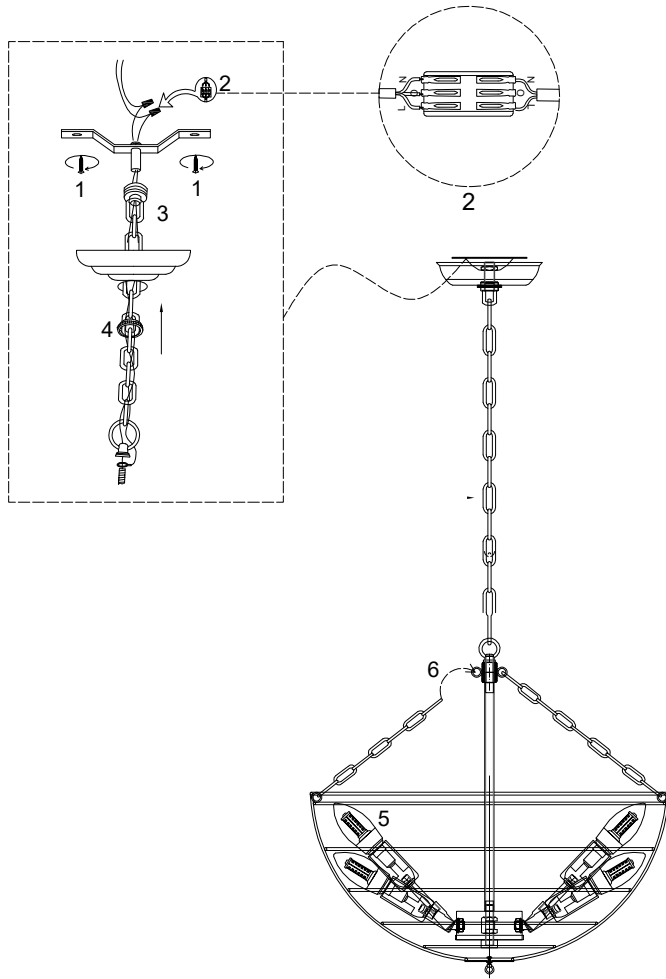
Installation instructions for glass lampshade



- 12cm glass lampshade-5PCS
- 10cm glass lampshade-5PCS+12cm-5P
- 12cm glass lampshade-5PCS
- 15cm glass lampshade-5PCS
- One 15cm glass lampshade

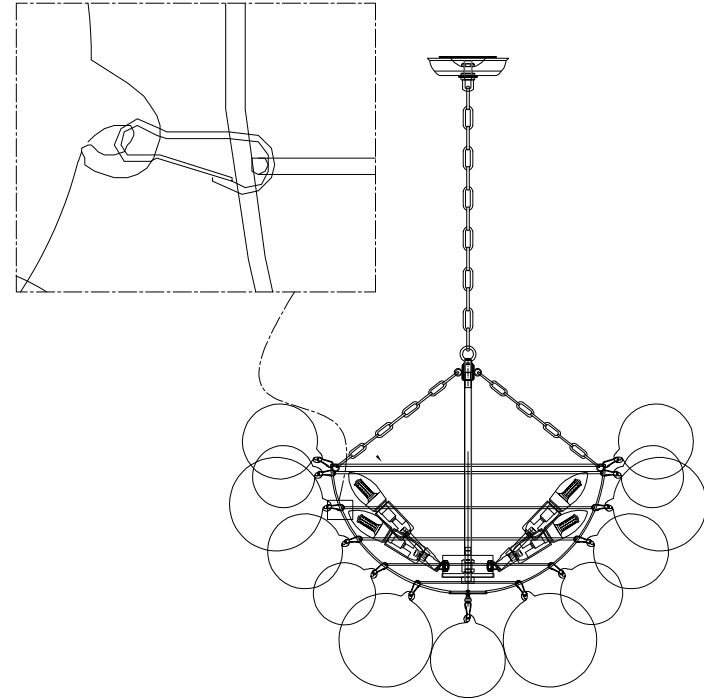
Attention: The glass lampshade should be hung from the bottom, staggered in order, and then adjusted by yourself. If the hanging is full, it will look good

10-lights



- 1: Fix the hanging board to the ceiling
- 2: Connect the lamp wires to the reserved wires
- 3: Connect the lamp body to the hanging plate
- 4: Tighten the suction cup with a ring
- 5: Installing bulb
- 6: Hang the main body on the hanging chain

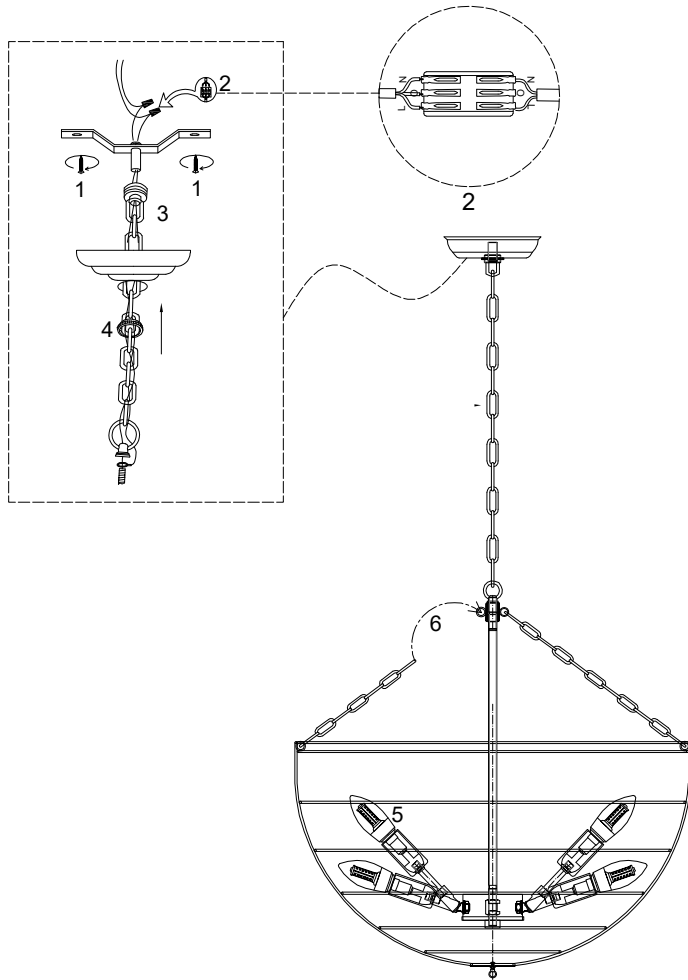
Installation instructions for glass lampshade



- 12cm glass lampshade-4PCS+10cm-4PCS+15cm-4PCS
- 12cm glass lampshade-6PCS+10cm-6PCS
- 12cm glass lampshade-4PCS+10cm-4PCS+15cm-4PCS
- 12cm glass lampshade-2PCS+10cm-2PCS+15cm-2PCS
- 12cm glass lampshade-3PCS+10cm-3PCS
- One 12cm glass lampshade

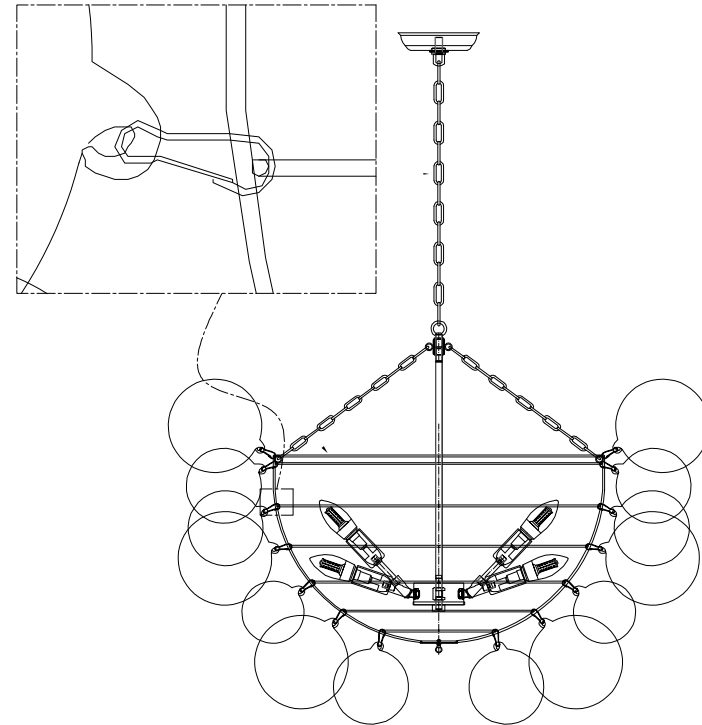
Attention: The glass lampshade should be hung from the bottom, staggered in order, and then adjusted by yourself. If the hanging is full, it will look good

12-lights-D86-66



- 1: Fix the hanging board to the ceiling
- 2: Connect the lamp wires to the reserved wires
- 3: Connect the lamp body to the hanging plate
- 4: Tighten the suction cup with a ring
- 5: Installing bulb
- 6: Hang the main body on the hanging chain

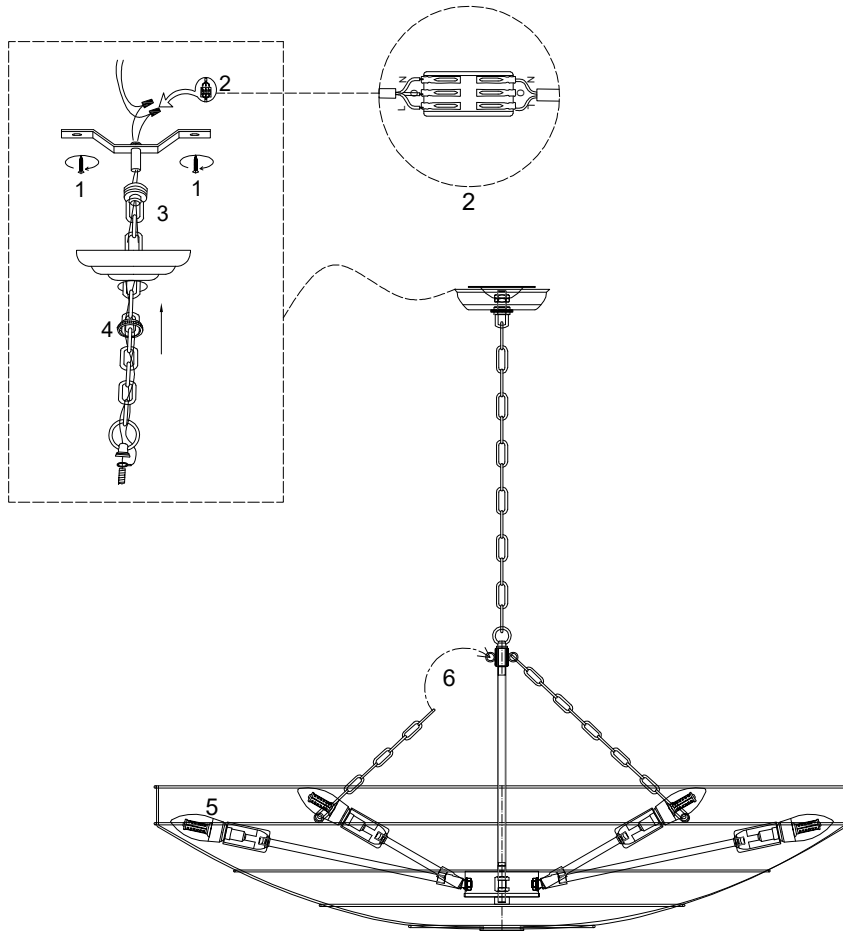
Installation instructions for glass lampshade



- 12cm glass lampshade-4PCS+10cm-7PCS+15cm-9PCS
- 12cm glass lampshade-6PCS+10cm-8PCS
- 12cm glass lampshade-4PCS+10cm-6PCS+15cm-7PCS
- 12cm glass lampshade-2PCS+10cm-2PCS+15cm-5PCS
- 12cm glass lampshade-2PCS+10cm-3PCS
- One 12cm glass lampshade

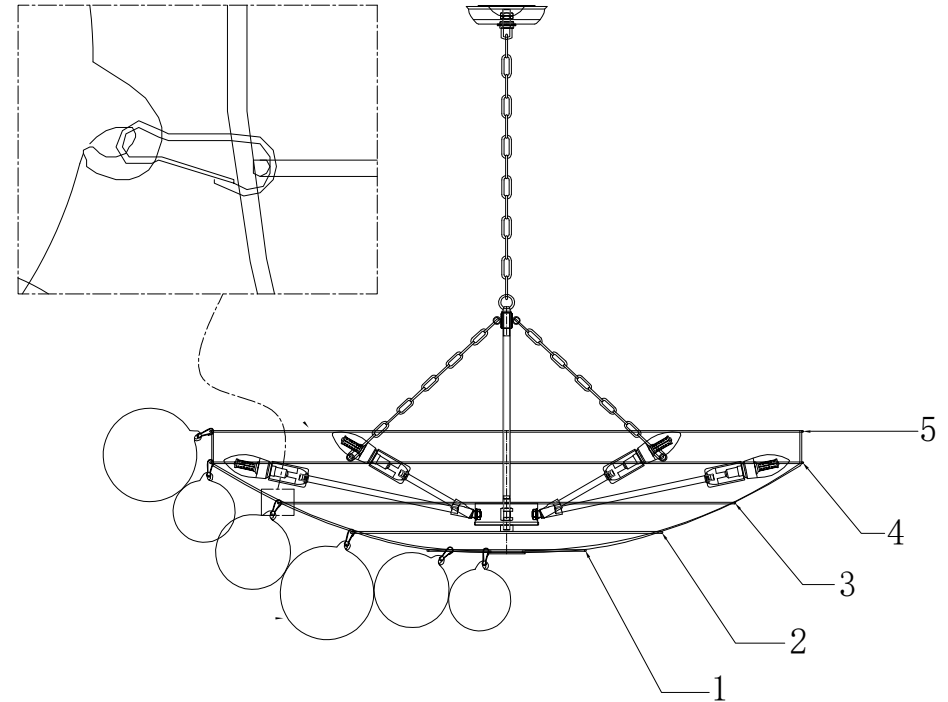
Attention: The glass lampshade should be hung from the bottom, staggered in order, and then adjusted by yourself. If the hanging is full, it will look good

12-lights-D130-55



- 1: Fix the hanging board to the ceiling
- 2: Connect the lamp wires to the reserved wires
- 3: Connect the lamp body to the hanging plate
- 4: Tighten the suction cup with a ring
- 5: Installing bulb
- 6: Hang the main body on the hanging chain

Installation instructions for glass lampshade



Layer 1: 15cm glass lampshades -3+12cm-5
(alternating with 1 empty grid size)

Layer 2: 15cm-6+12cm-6 (alternating in size)

Layer 3: 15cm-6+12cm-3+10cm-3

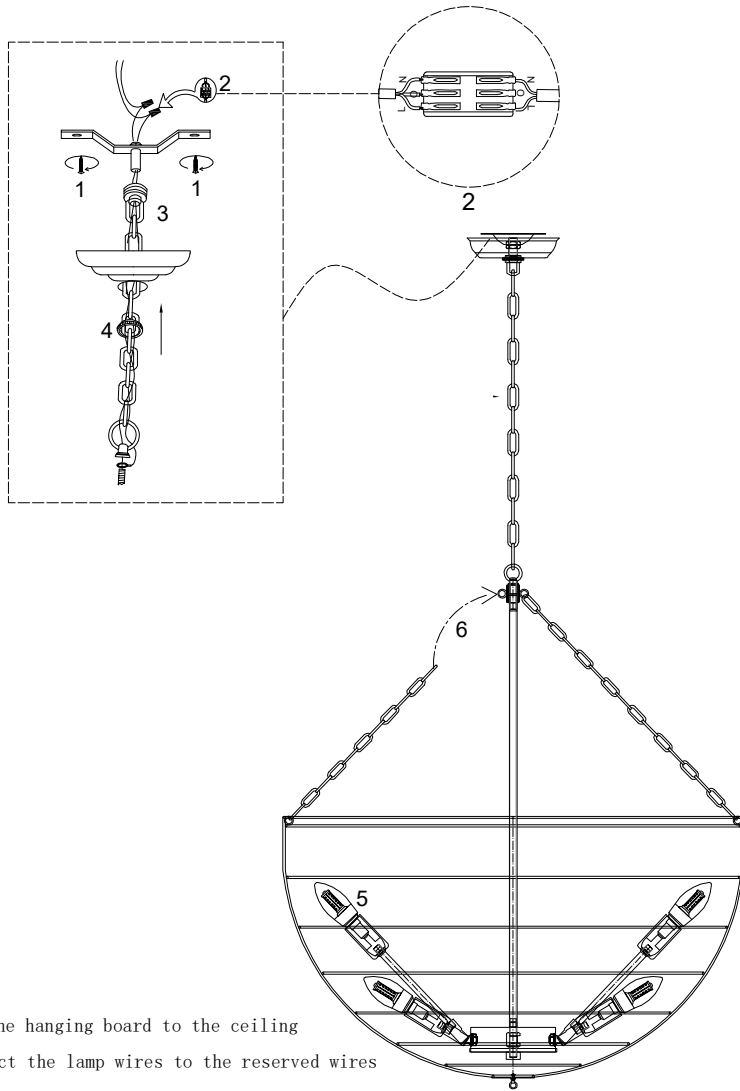
(Please fasten in the following order:

15-12-15-10-10-15-12-15-10-15-12-15-15-15-10)

Layer 4: 15cm-6+12cm-6 (alternating in size)

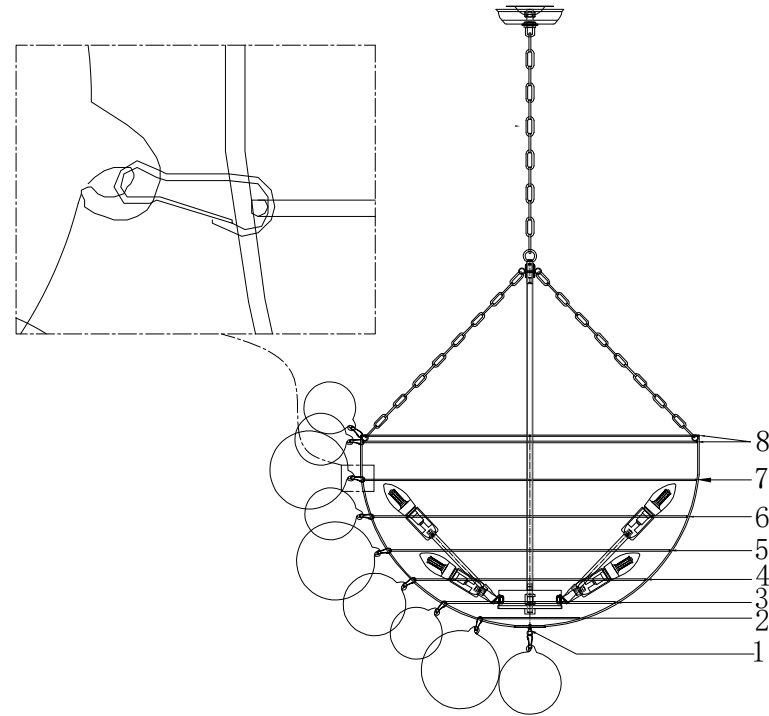
Layer 5: 12cm-6+10cm-6 (alternating in size)

16-lights



- 1: Fix the hanging board to the ceiling
- 2: Connect the lamp wires to the reserved wires
- 3: Connect the lamp body to the hanging plate
- 4: Tighten the suction cup with a ring
- 5: Installing bulb
- 6: Hang the main body on the hanging chain

Installation instructions for glass lampshade



1st layer: 12cm large glass lampshade, 1 piece

Layer 2: 10cm large glass lampshade, 6 pieces (separated by two grid hooks)

Layer 3: 15cm-6+10cm-4 (separated by 1 grid buckle)

4th layer: 15cm-9 (separated by 1 grid buckle)

Layer 5: 15cm-9+12cm-5+10cm-4

(please hang them in the following order:

15-12-15-15-12-15-15-10-10-15-12-10-15-15-15-15-12-15-15-12-15-15-12)

Layer 6: 15cm-9+12cm-9

7th layer: 12cm-4+10cm-5 (separated by 1 grid buckle)

Layer 8: 12cm-9+10cm-4

(please hang them in the following order:

12-10-12-Space-12-10-12 Space-12-10-12 Space-12-10-12 Space-12-10-12 Space-12 Space12 Spac