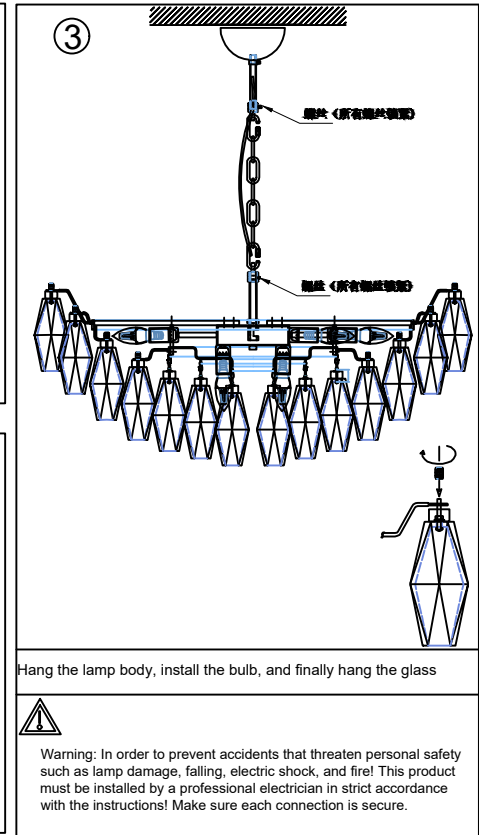
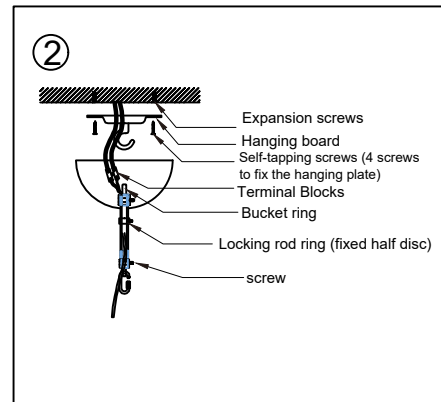
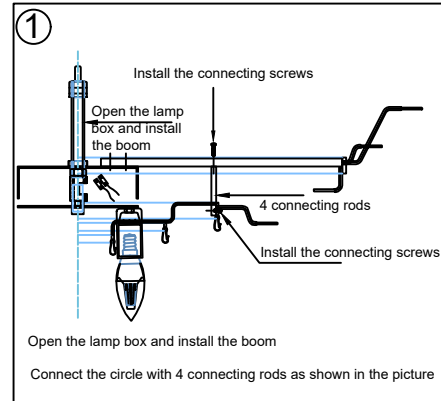


## Product Installation Steps



- 1 Drill holes in the ceiling first according to the hole spacing of the hanging board
- 2 Insert the plastic expansion screw
- 3 Drive the self-tapping screws through the holes in the hanging board and into the plastic expansion screws to fix the hanging board.
- 4 Connect the wires
- 5 Connect the bucket ring to the boom and hang it on the hook, push the semicircle up and secure it with the ring.

