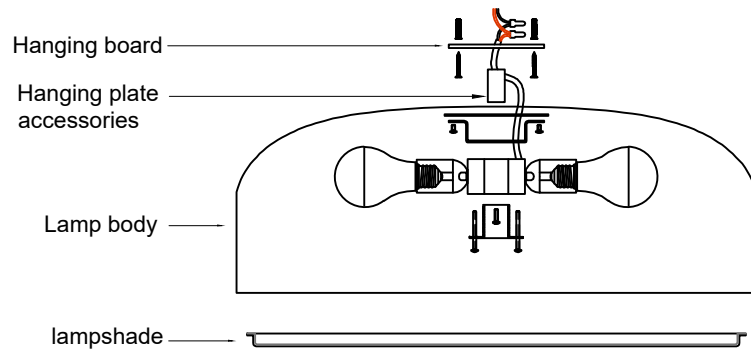
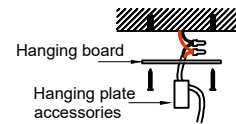


Product Installation Steps

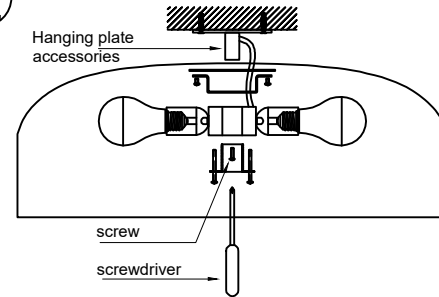


①



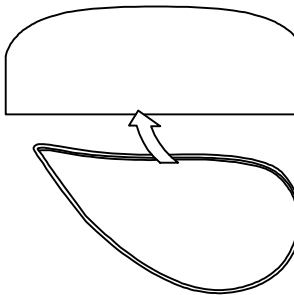
1. Hang the hanging board on the ceiling
2. The power cord is connected through the wire hole of the hanging plate accessories
3. The hanging plate accessories are screwed onto the hanging plate

②



Use a screwdriver to screw the screws onto the mounting plate accessories to lock the entire lamp.

③



Bend the lampshade slightly and put it into the lamp body



Warning: To prevent accidents that threaten personal safety, such as lamp breakage, falling, electric shock, fire, etc., please install and use the lamp strictly in accordance with the instructions and do not modify the lamp or replace parts by yourself.

Safety precautions (please read the following precautions carefully before installation)

1. Please be sure to cut off the power supply before installation:
2. The ceiling used to install the lamp must be able to bear more than four times the weight of the lamp before installation. The lamp cannot be installed on thin and soft places that cannot bear weight, such as gypsum boards, plastic boards, and metal sheets:
3. Do not install the lamp above a high temperature object or in a humid place (do not install it above a stove, gas, exhaust pipe, etc. to prevent damage):
4. Lamps should not be connected in series with other electrical appliances or in parallel with dimmers: