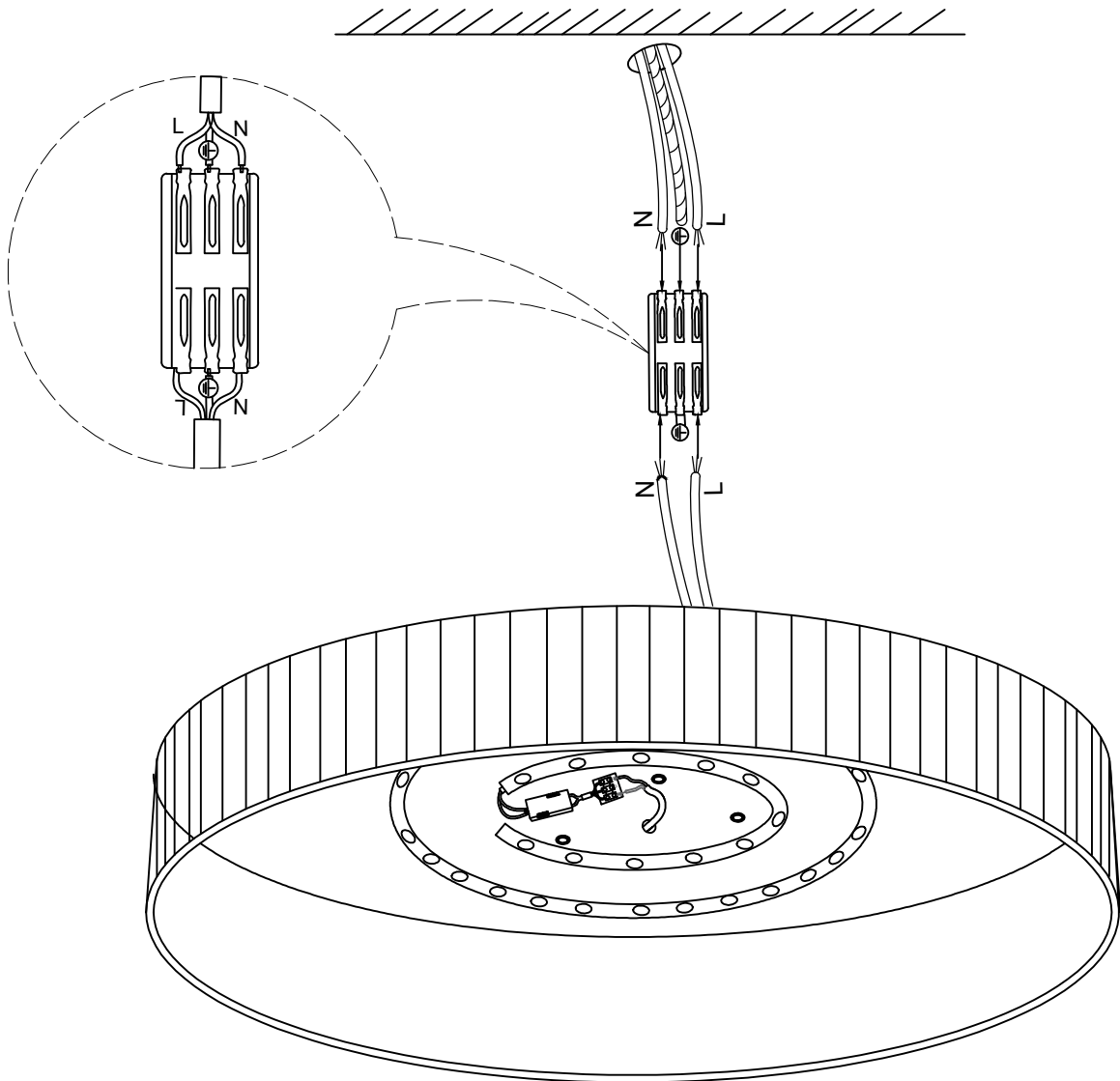
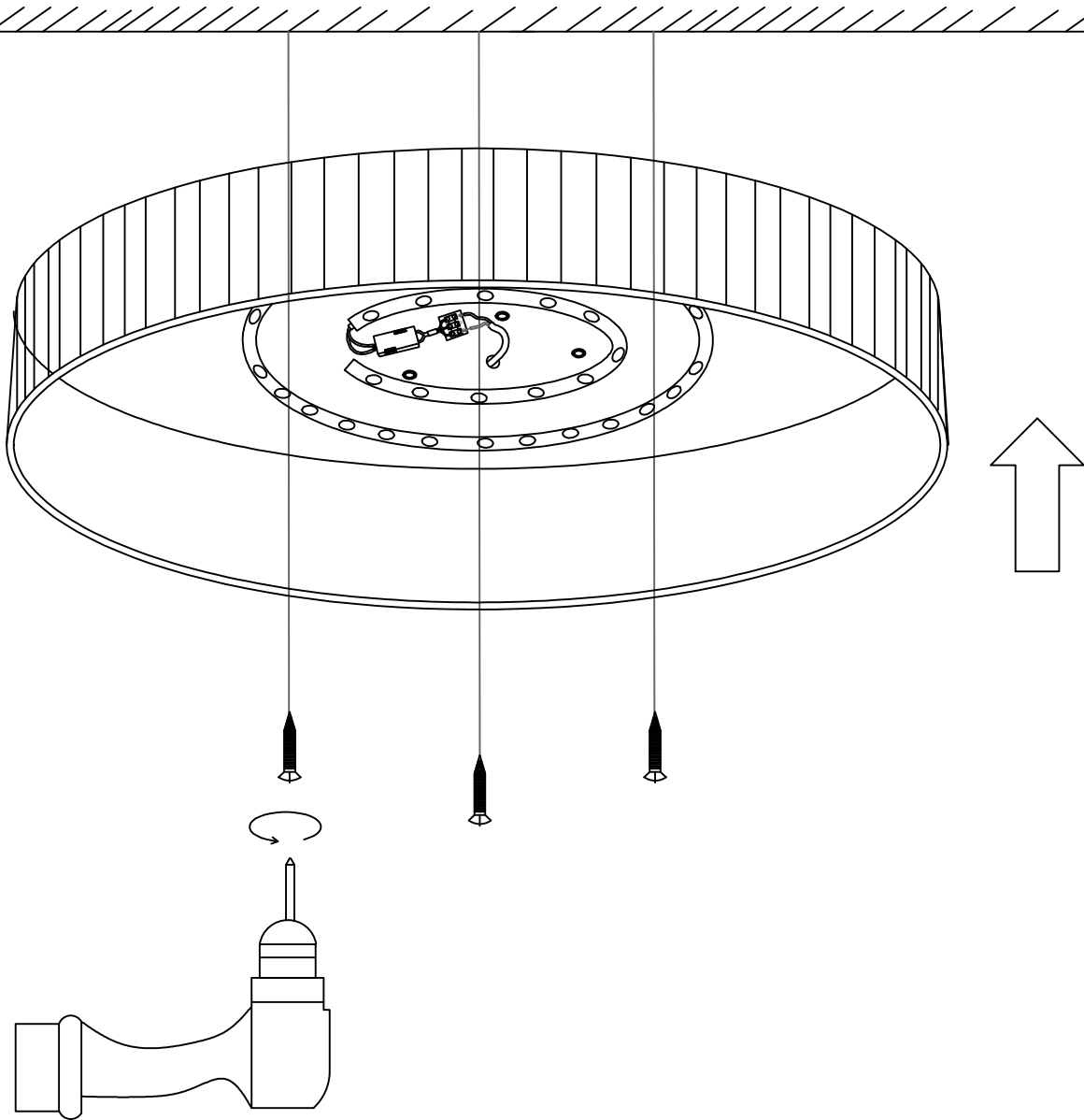


1



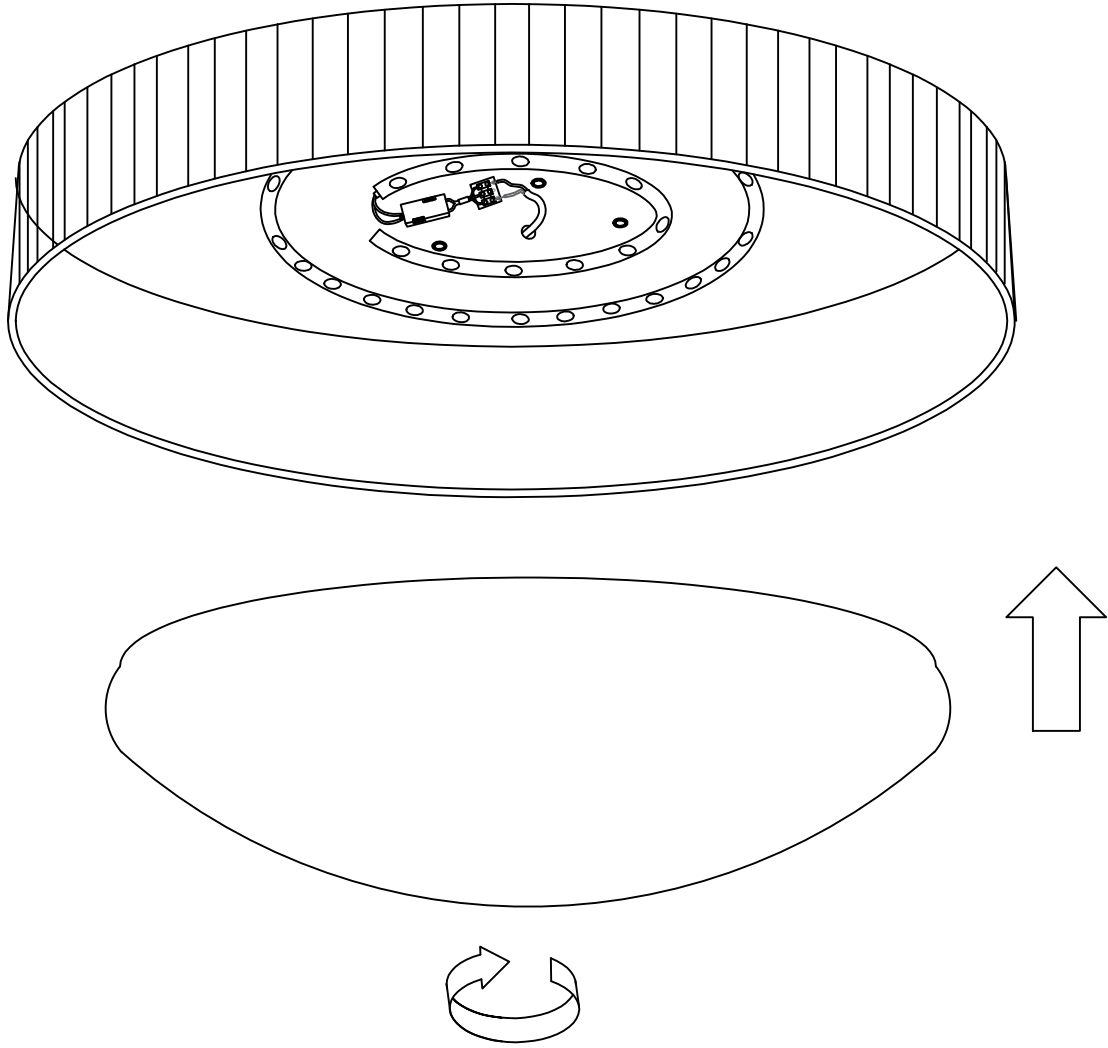
The wires in the home are connected to the wires in the lamps through the wire terminals

2



After the wires are connected, use screws to lock the lamp body to the ceiling.

3



Install the lampshade