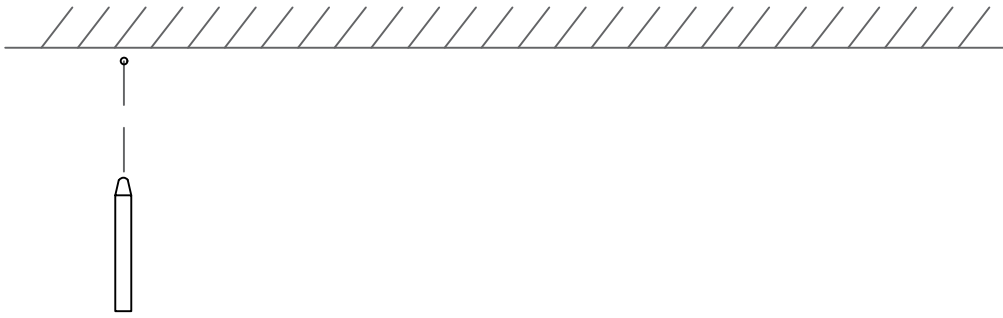
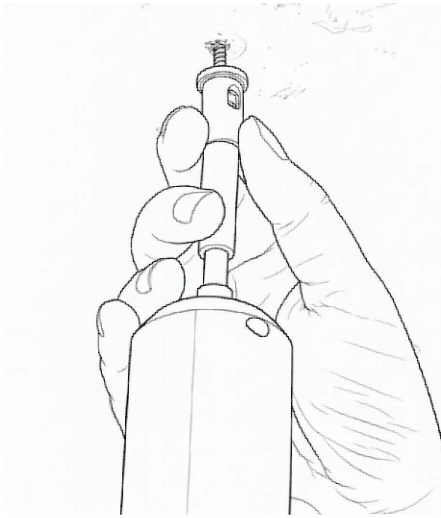


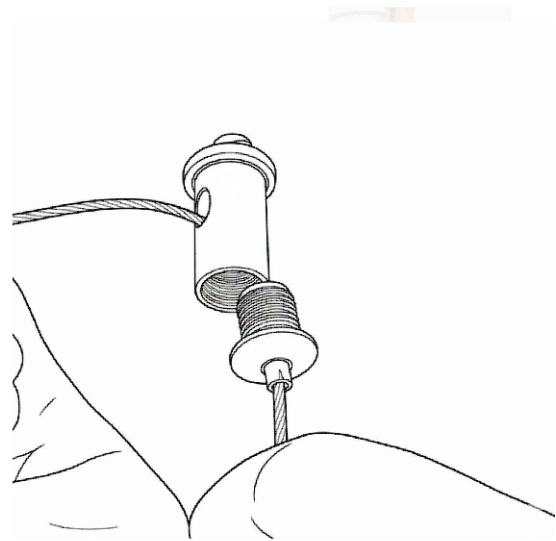
1



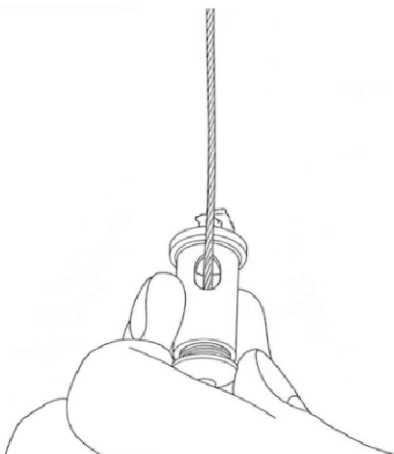
Mark the place on the ceiling where expansion screws need to be made



The small ceiling cover is first screwed to the ceiling



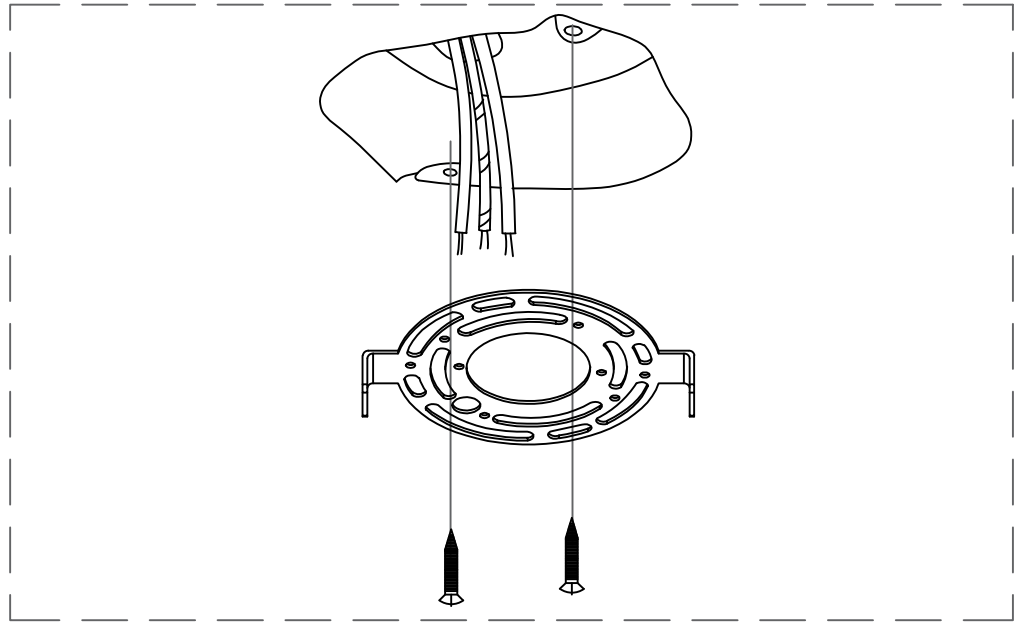
The wire hanging wire on the lamp body is inserted into the small ceiling cover and then passed through the side holes



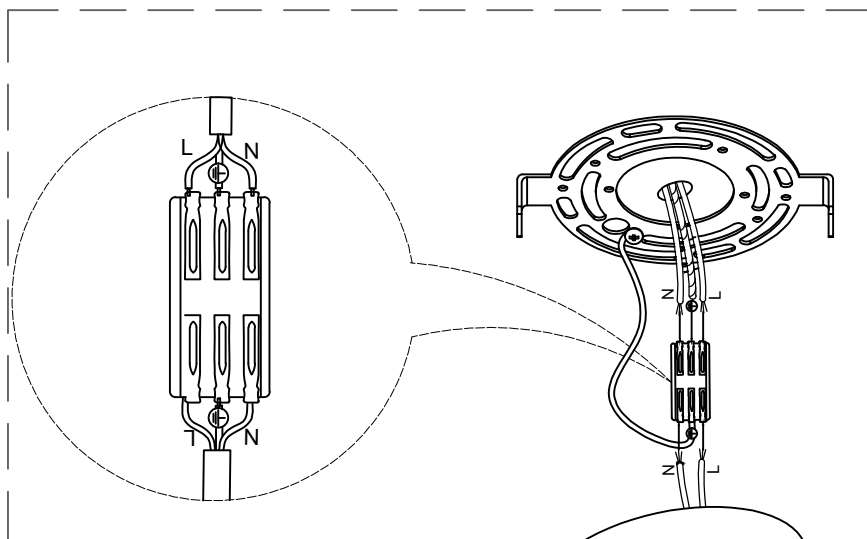
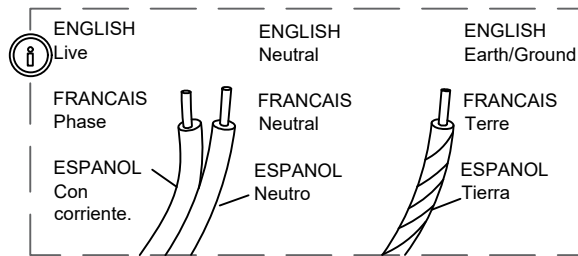
Tighten and fix

Note: The length of the wire rope can be adjusted by pressing the lower end of the tension head

2



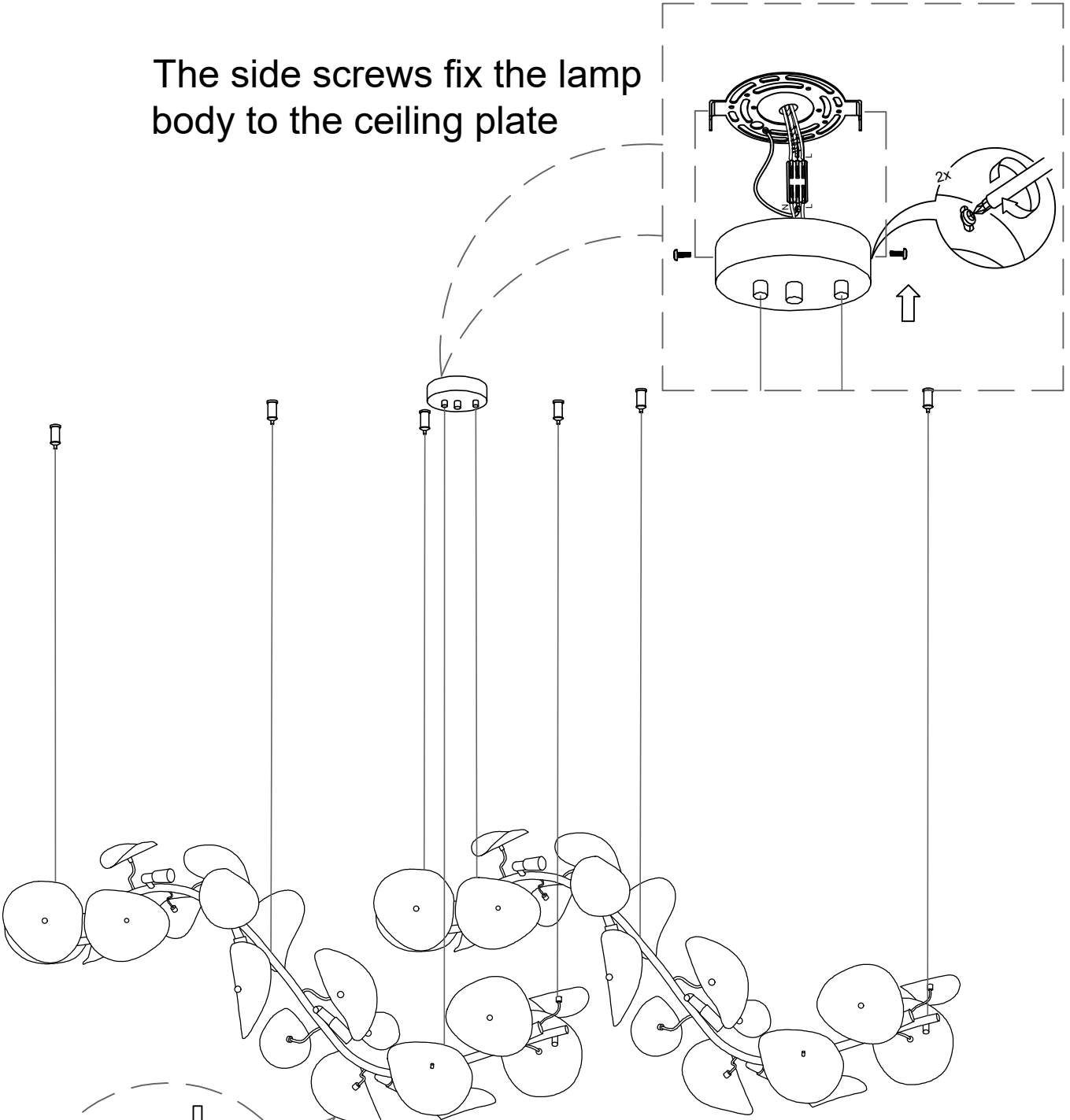
Use expansion screws to fix the hanging plates in the place where the ceiling is marked



The wires in the home are connected to the wires in the lamps through the wire terminals

3

The side screws fix the lamp body to the ceiling plate



Lock ceramic lotus leaves

Insert the light source