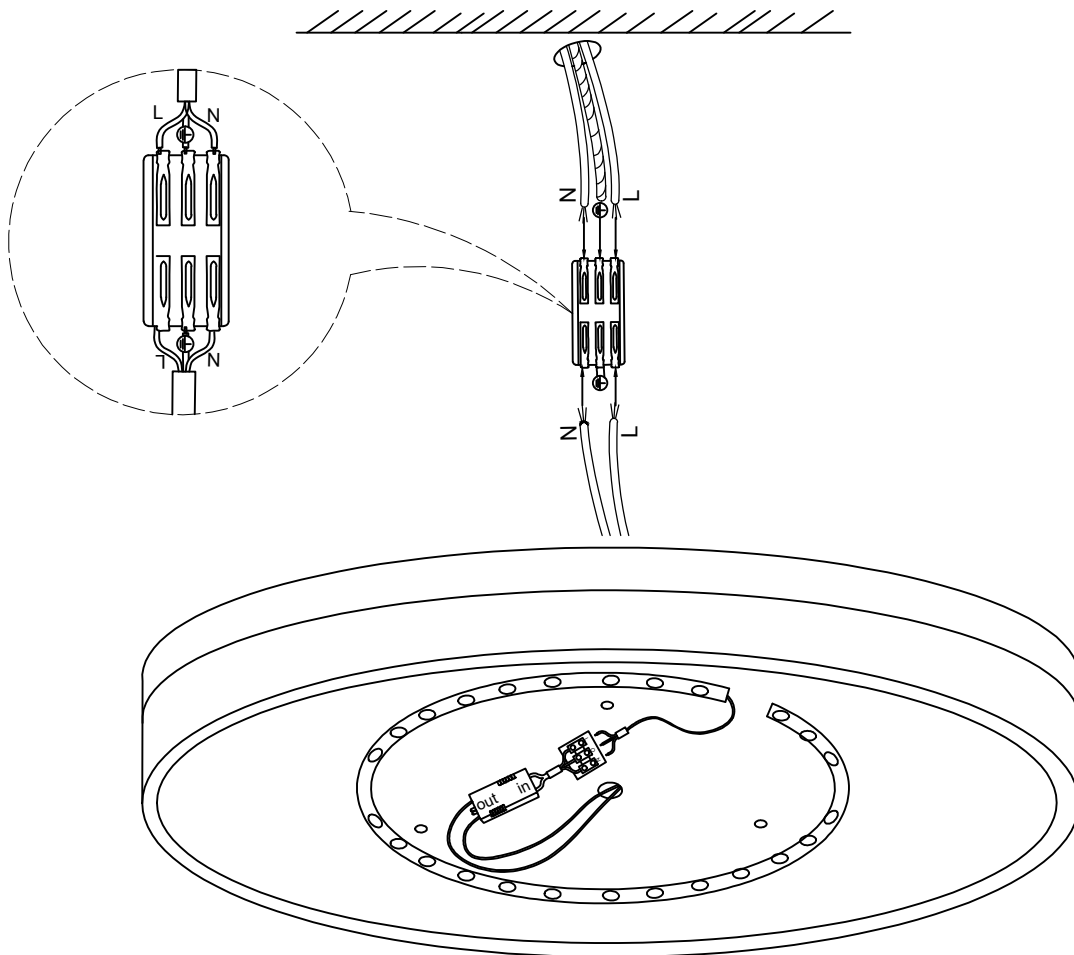
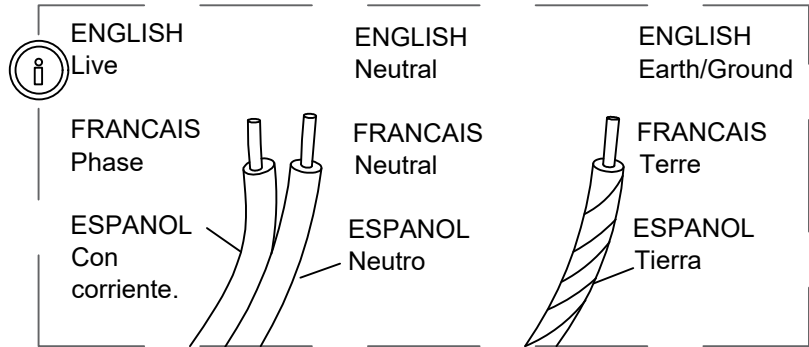
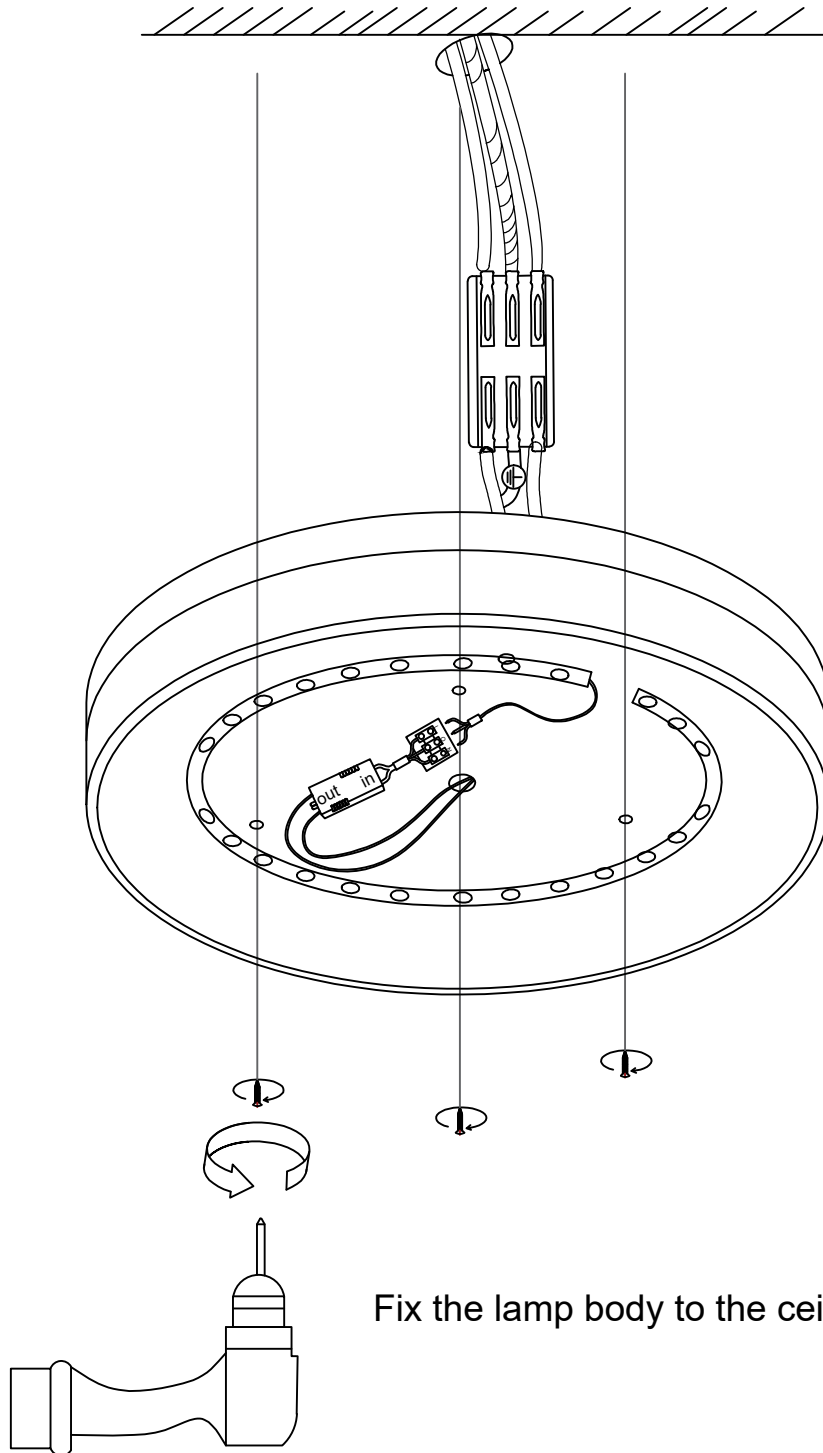


1



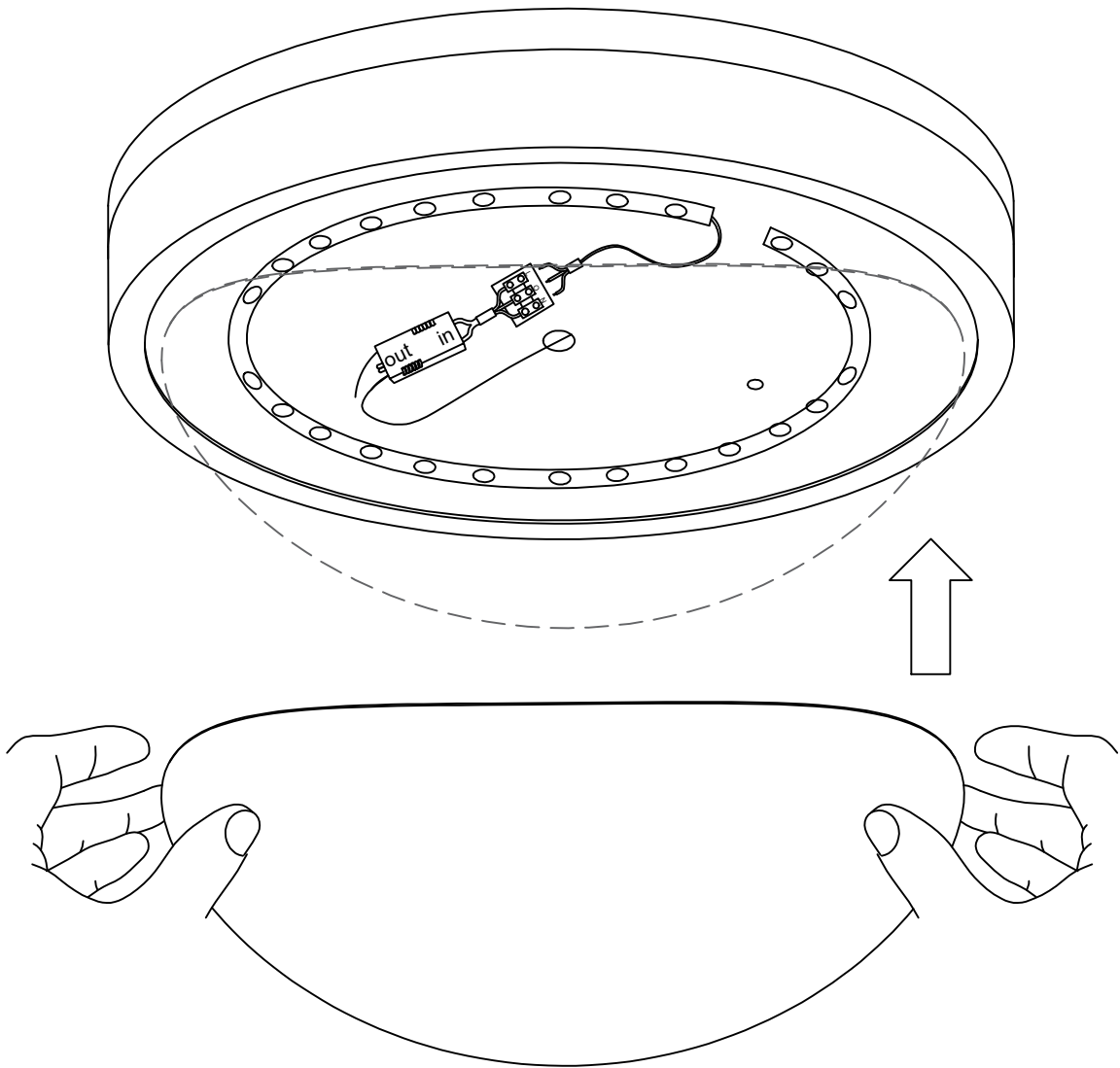
The wires in the home are connected to the wires in the lamps through the wire terminals

2



Fix the lamp body to the ceiling with screws

3



The acrylic sheet is gently bent and tucked into the lamp body