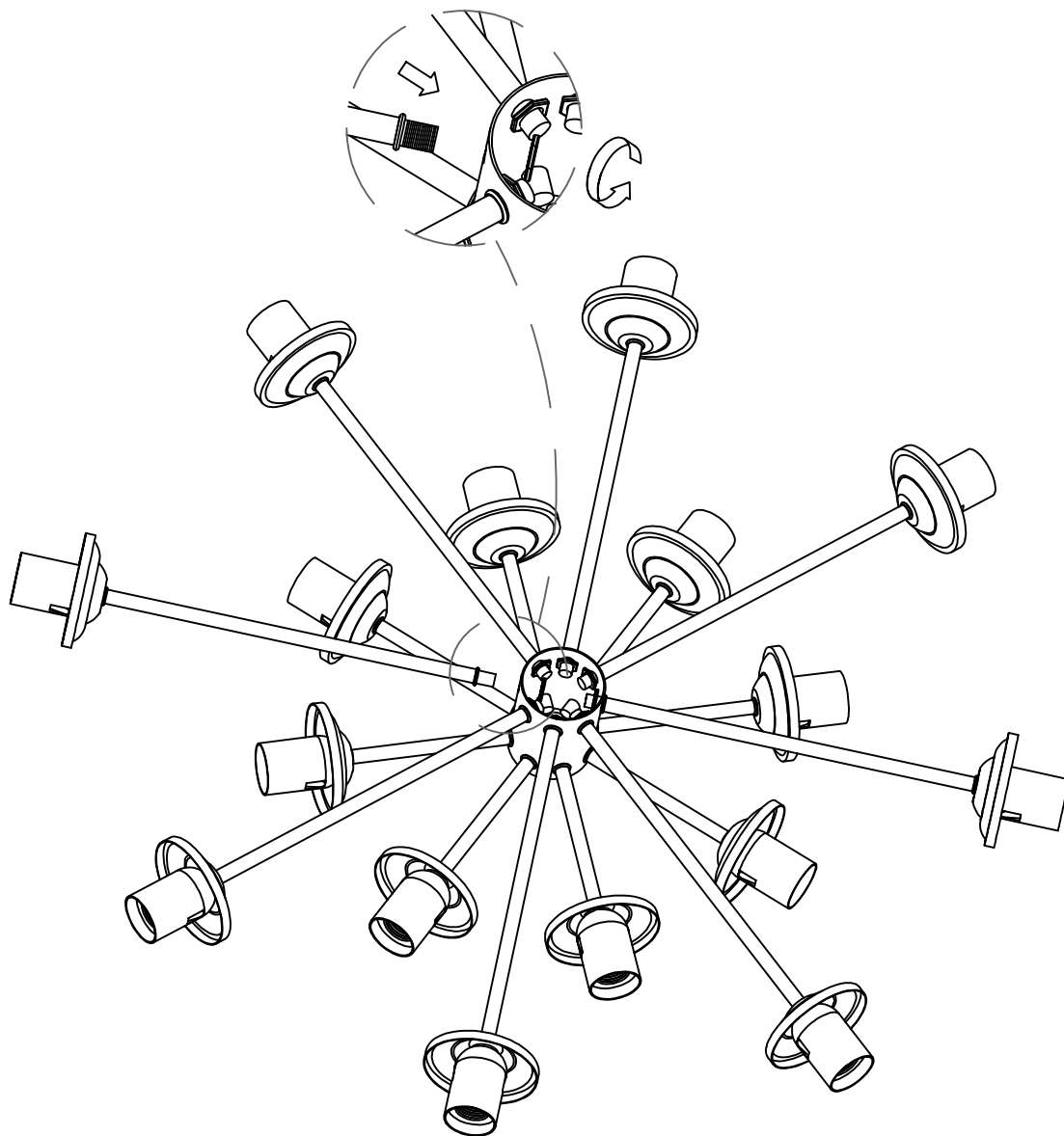
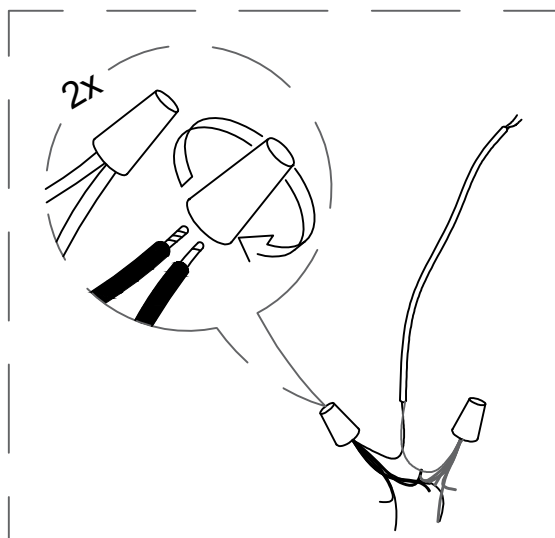


# 1

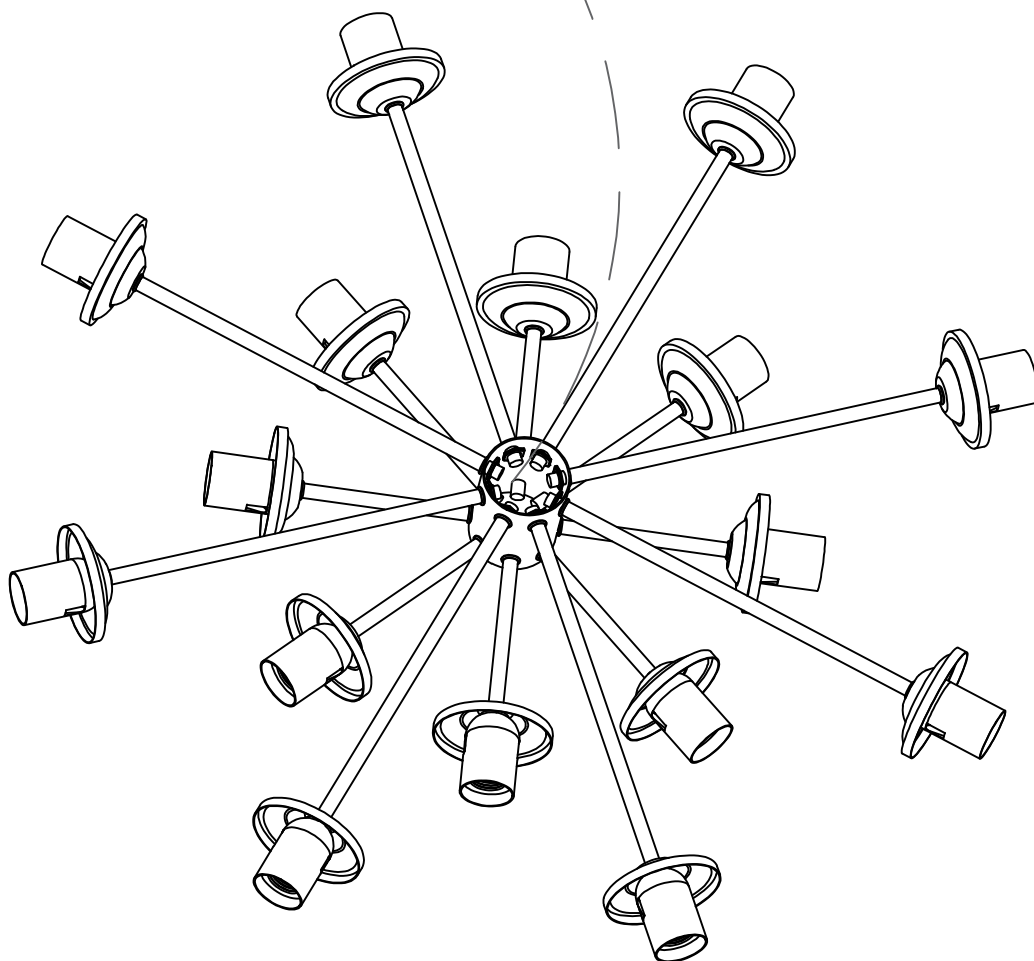


Use screws to lock the lamp arm onto the lamp body

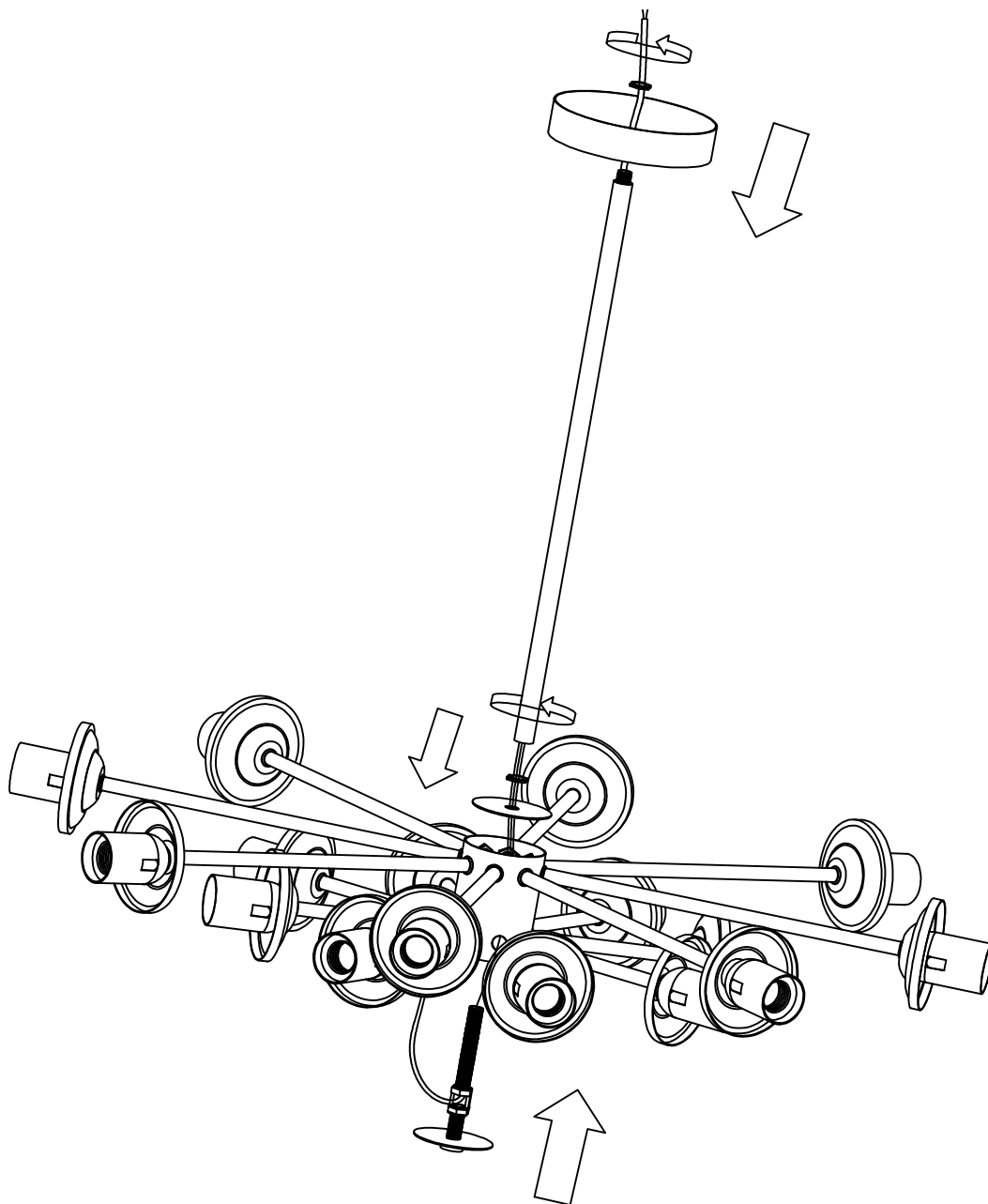
# 2



The main line is connected to the wires of the same color

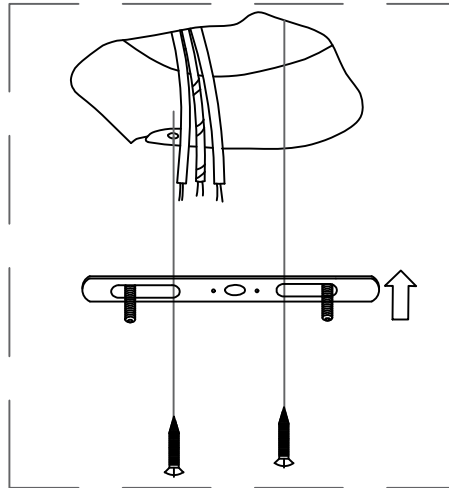


# 3

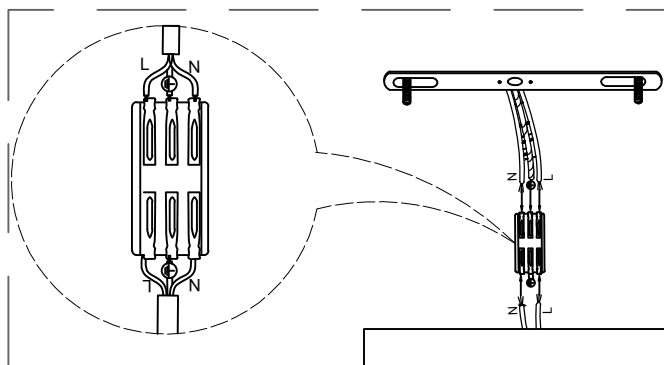
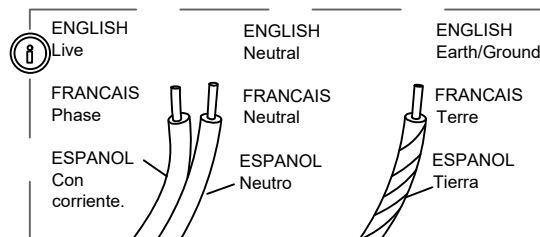


After the wire is connected, the main line passes through the lamp body in turn from the screw hole below, and then assembles the lamp body

# 4

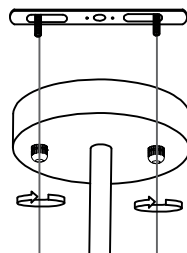


Fasten the hanging board to the ceiling with screws

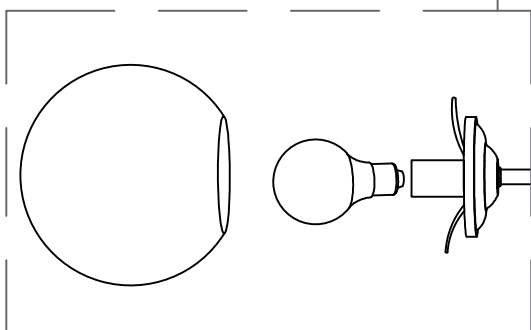
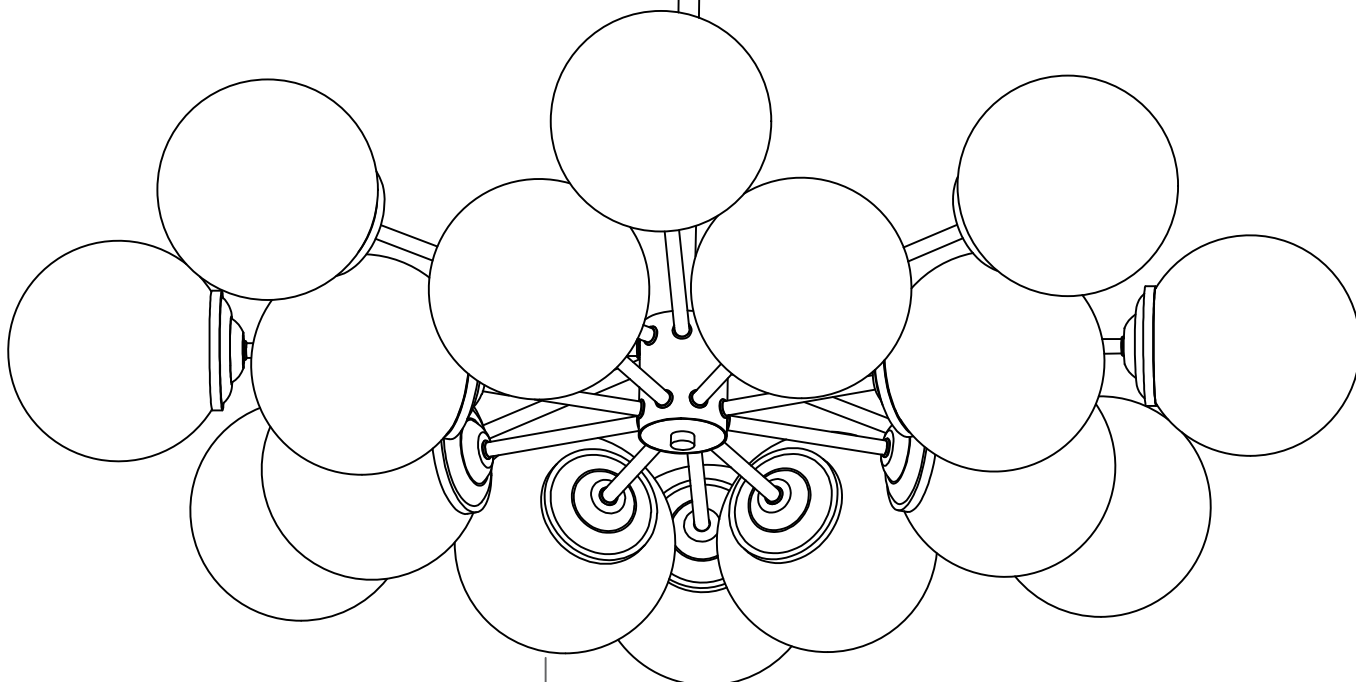


The wires in the home are connected to the wires in the lamps through the wire terminals

# 5



Use hand-made nuts to lock the lamp body on the hanging plate



Once the bulb is installed, clamp the lampshade with a clip