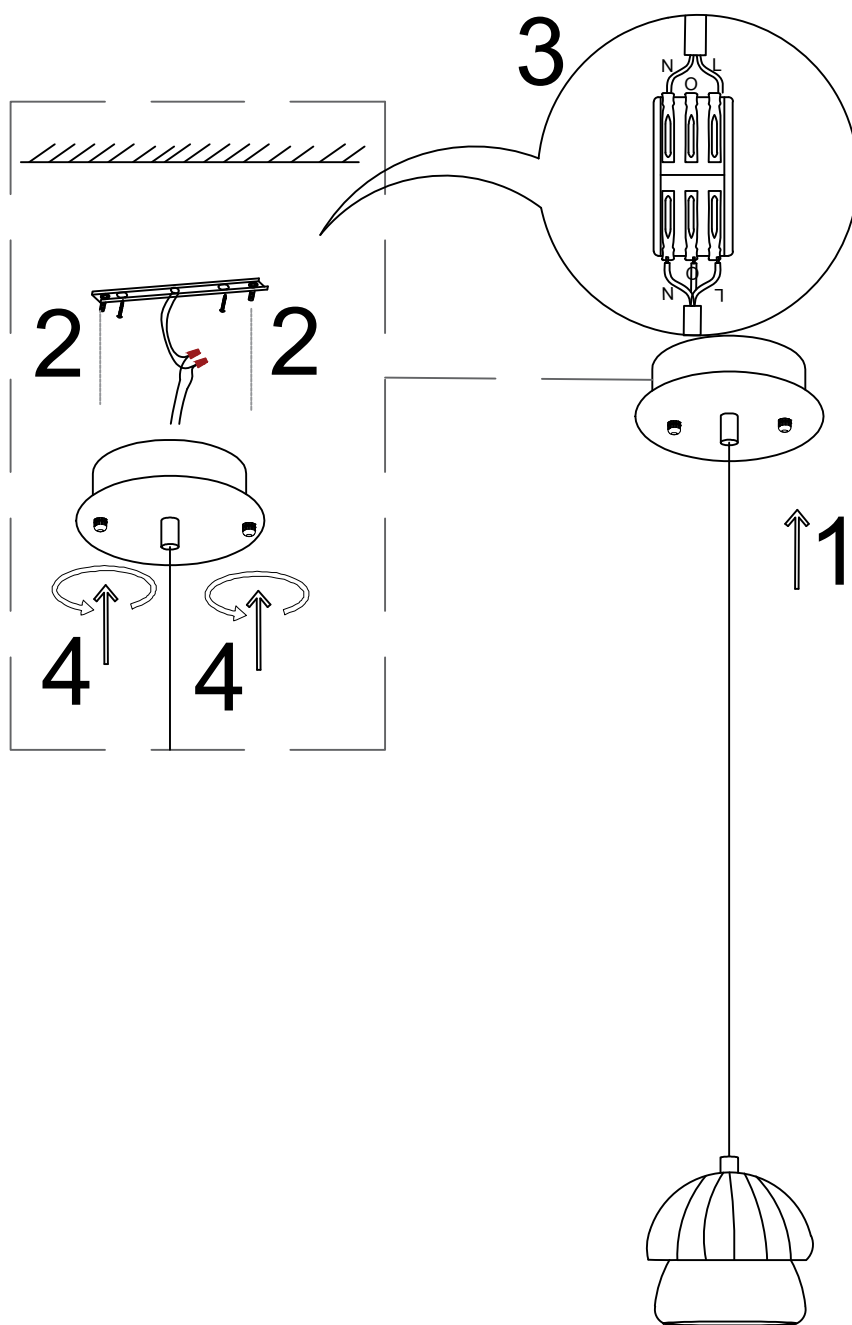


1:Assembly of lamp body

2:Fix the hanging board to the ceiling

3:Connect the lamp wires to the reserved wires

4:Connect the lamp body to the hanging plate

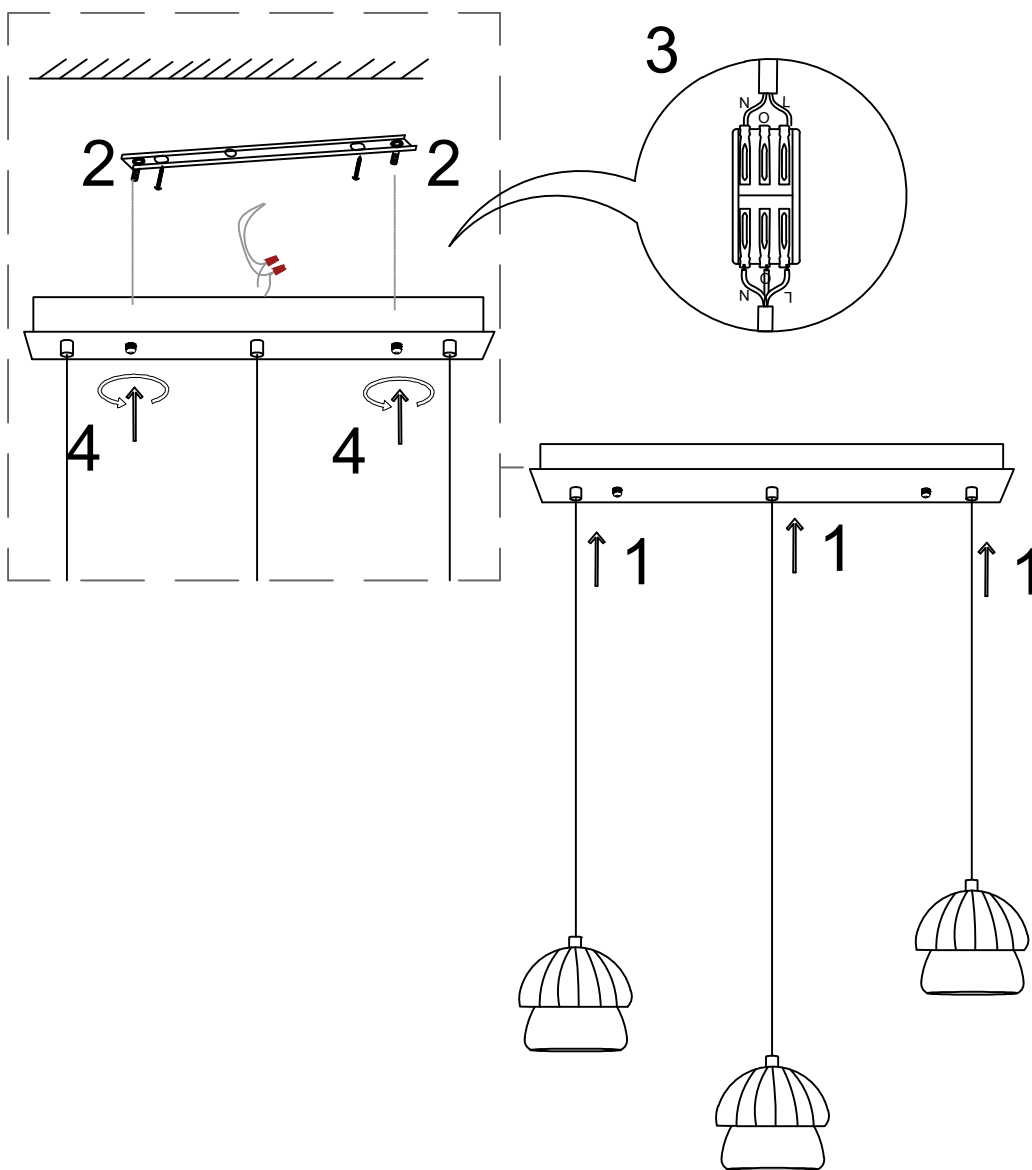


1:Assembly of lamp body

2:Fix the hanging board to the ceiling

3:Connect the lamp wires to the reserved wires

4:Connect the lamp body to the hanging plate



1:Assembly of lamp body

2:Fix the hanging board to the ceiling

3:Connect the lamp wires to the reserved wires

4:Connect the lamp body to the hanging plate

