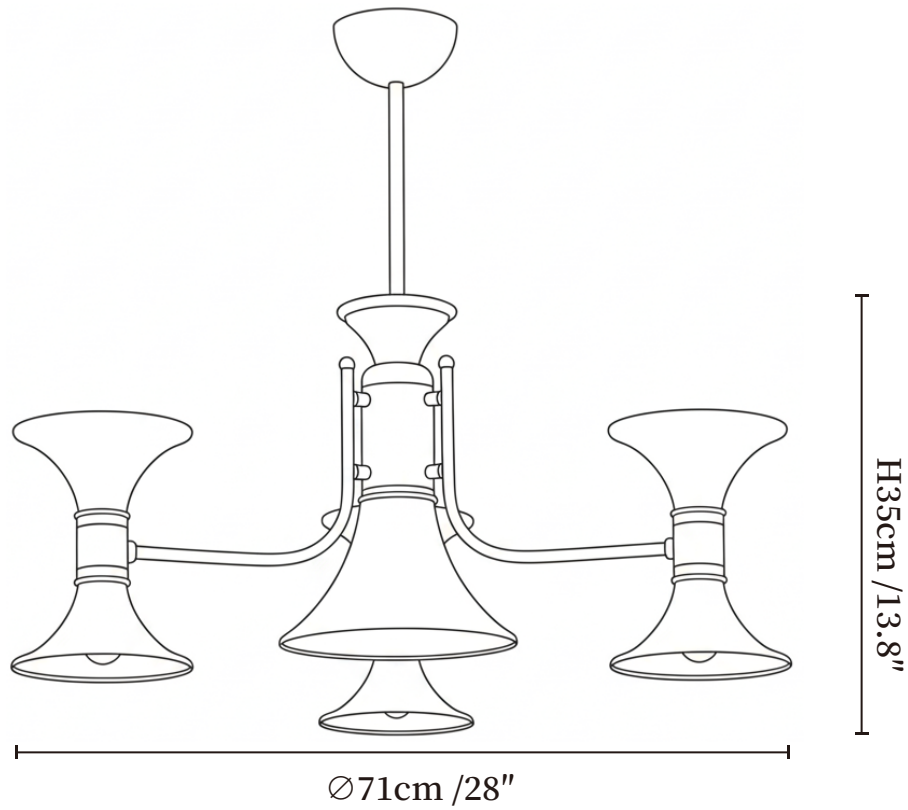


SPECIFICATION SHEET

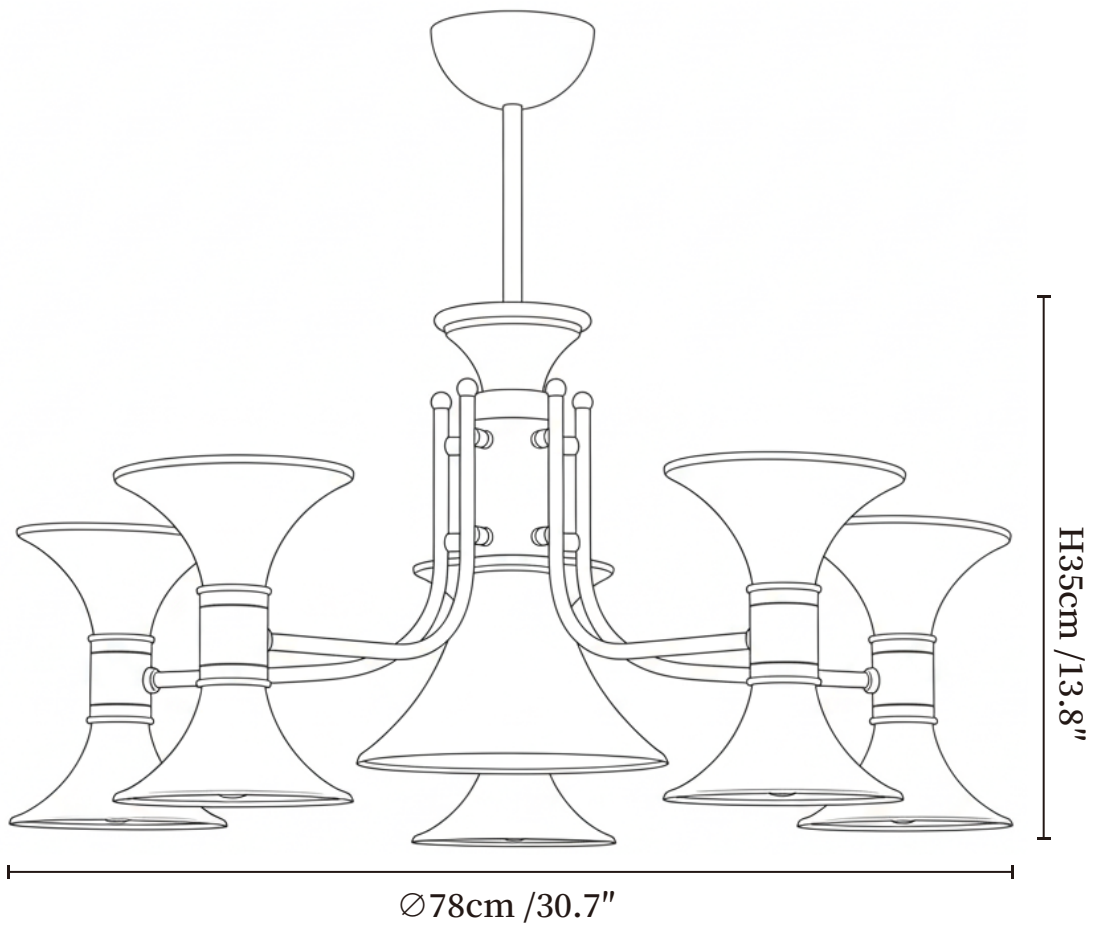


SPECIFICATION DETAILS

*For custom options, consult factory for details

Fixture Dimensions	$\text{Ø} 28'' \times \text{H} 13.8''$
Light source	E26 or E27(bulb not included)
Wattage	MAX 40W incandescent bulb or LED equivalent.
Voltage	AC 110-240V
Mounting	Hardwired.
Dimming	Compatible with dimmable bulbs (bulb not included)
Control method	Compatible with common wall switches(not included)
Finishes	Gold.
Shade Details	White, Red.
Material	Metal, Iron.
Rod Length	Suspension rod is $3.9''+7.9''+11.8''$, and can be spliced as needed.

SPECIFICATION SHEET

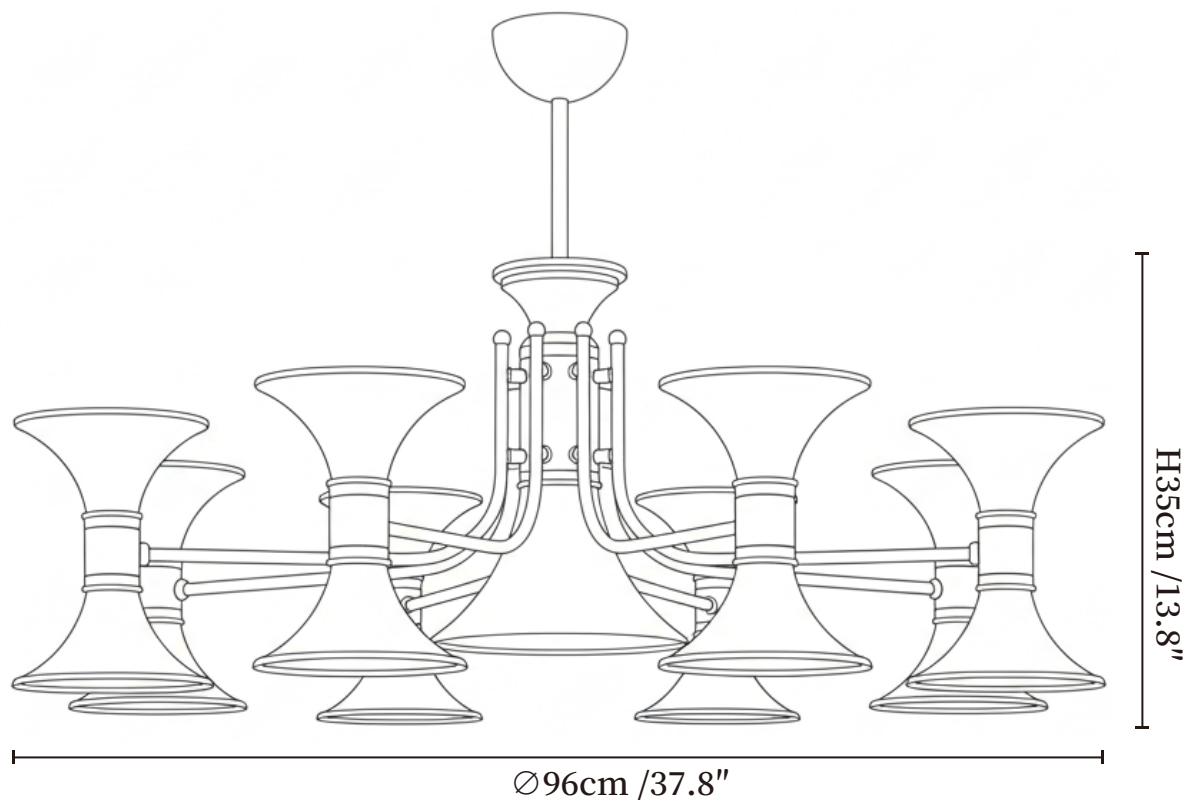


SPECIFICATION DETAILS

*For custom options, consult factory for details

Fixture Dimensions	Ø 30.7" x H 13.8"
Light source	E26 or E27(bulb not included)
Wattage	MAX 40W incandescent bulb or LED equivalent.
Voltage	AC 110-240V
Mounting	Hardwired.
Dimming	Compatible with dimmable bulbs (bulb not included)
Control method	Compatible with common wall switches(not included)
Finishes	Gold.
Shade Details	White, Red.
Material	Metal, Iron.
Rod Length	Suspension rod is 3.9"+7.9"+11.8" , and can be spliced as needed.

SPECIFICATION SHEET



SPECIFICATION DETAILS

*For custom options, consult factory for details

Fixture Dimensions	$\text{Ø} 37.8'' \times \text{H} 13.8''$
Light source	E26 or E27(bulb not included)
Wattage	MAX 40W incandescent bulb or LED equivalent.
Voltage	AC 110-240V
Mounting	Hardwired.
Dimming	Compatible with dimmable bulbs (bulb not included)
Control method	Compatible with common wall switches(not included)
Finishes	Gold.
Shade Details	White, Red.
Material	Metal, Iron.
Rod Length	Suspension rod is $3.9''+7.9''+11.8''$, and can be spliced as needed.