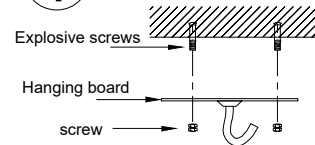


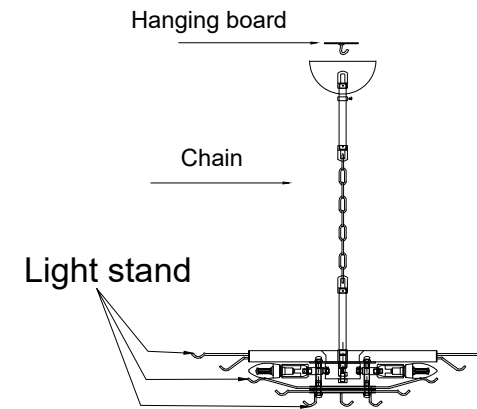
1



Position the screws and drive them into the ceiling

Screw the hanging plate to the ceiling

2



- 1 Assemble the main body as shown above.
- 2 Connect the wires, buckle the hanging assembly on the hanging plate, and lock the ceiling plate
- 3 Install the light source and hang the glass bend



Warning: To prevent accidents that threaten personal safety, such as lamp breakage, falling, electric shock, fire, etc., please install and use the lamp strictly in accordance with the instructions and do not modify the lamp or replace parts by yourself.