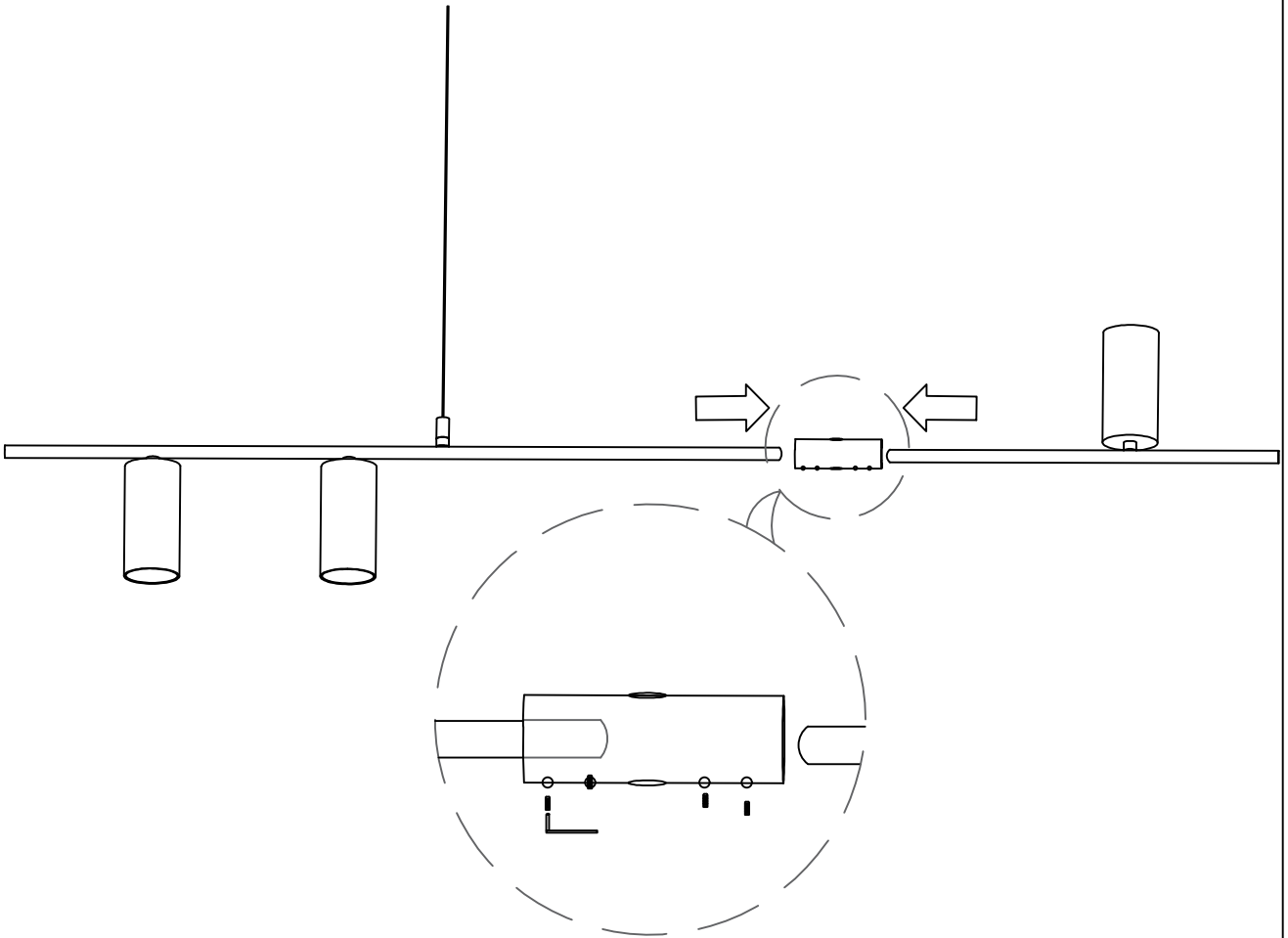
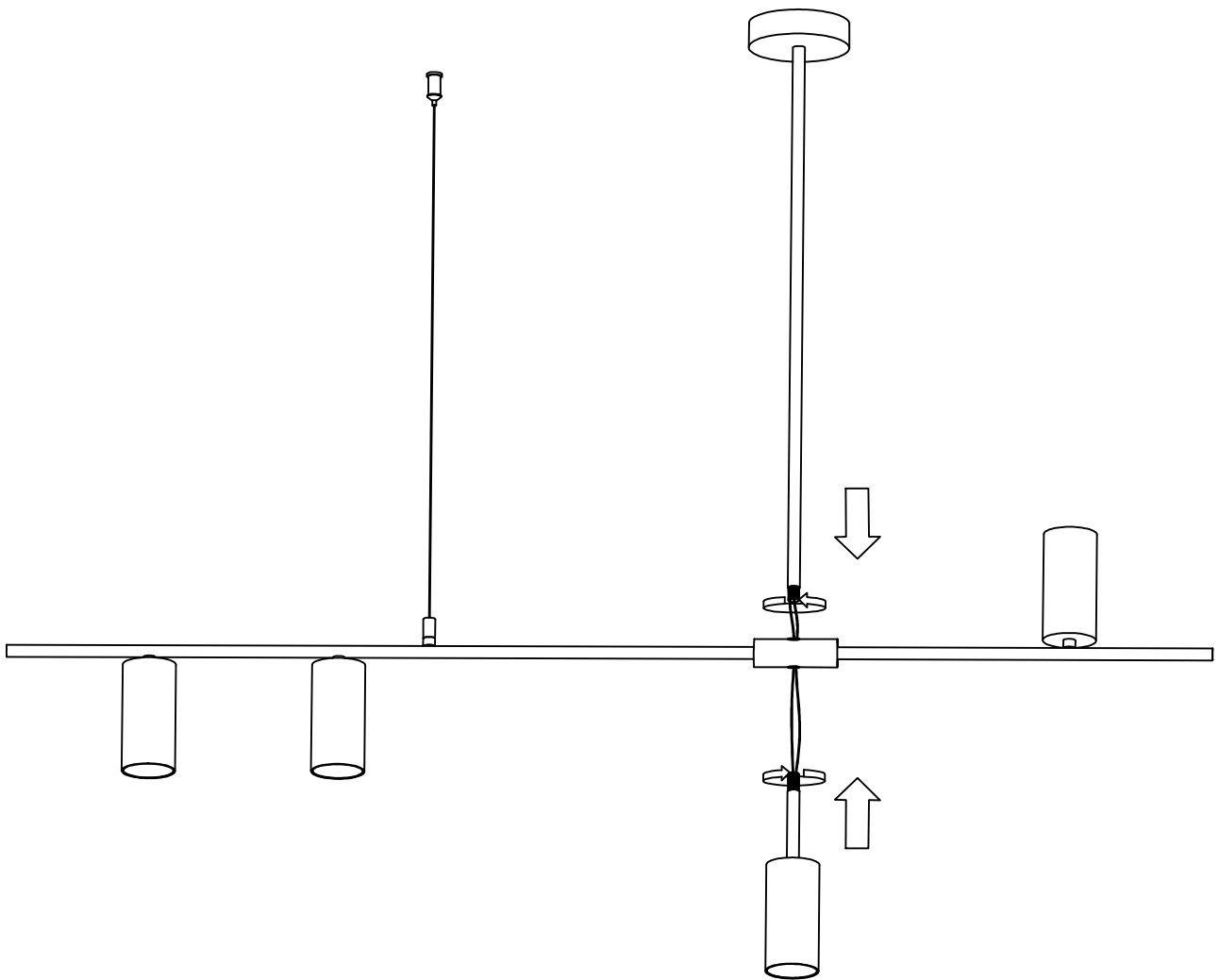


1



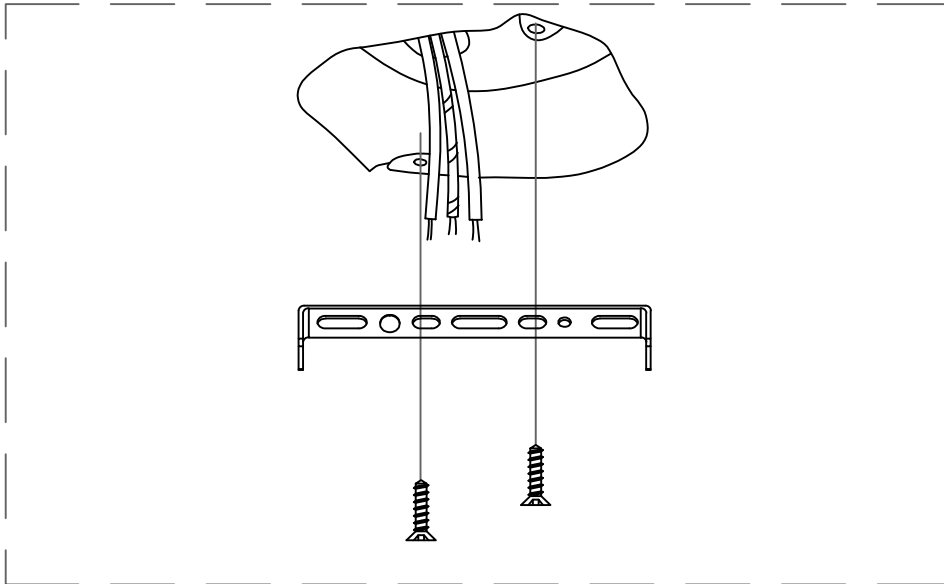
Insert the tube and then fix it with a few screws, the same at both ends

2

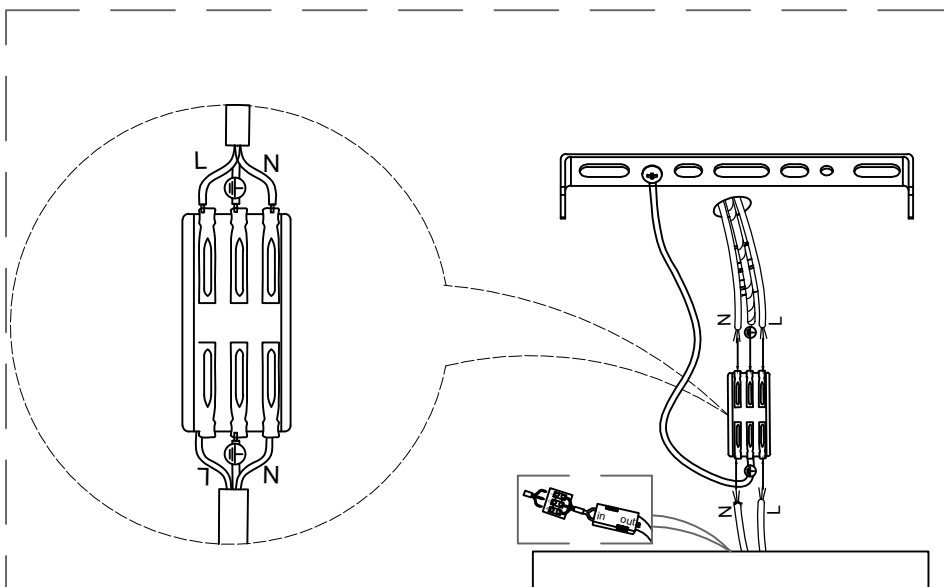


After inserting the wire, twist it into the lamp body

3

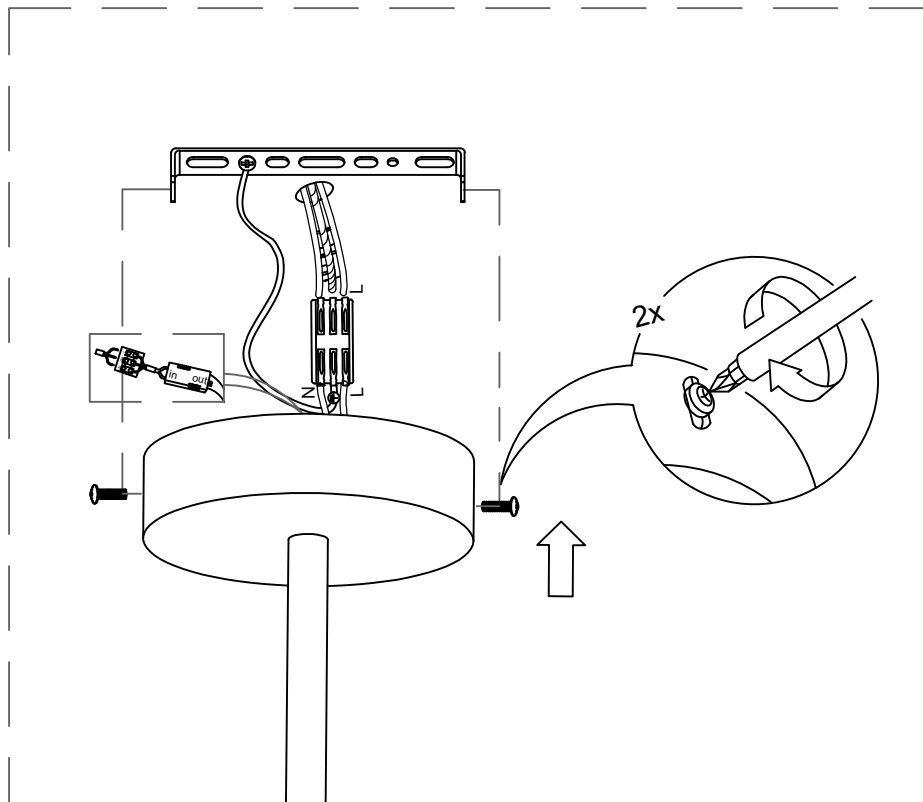
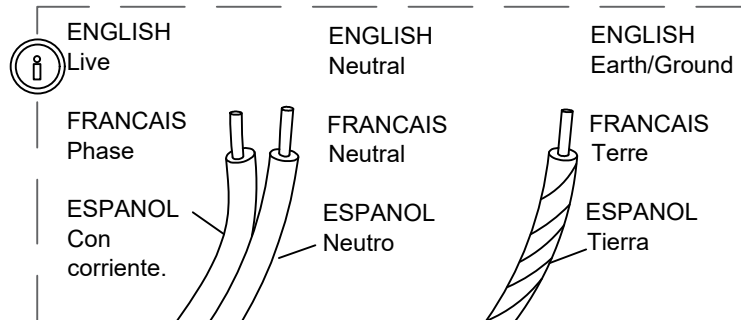


Fasten the hanging board to the ceiling with screws



The wires in the home are connected to the wires in the lamps through the wire terminals

4



The side screws fix the lamp body to the ceiling plate

5

