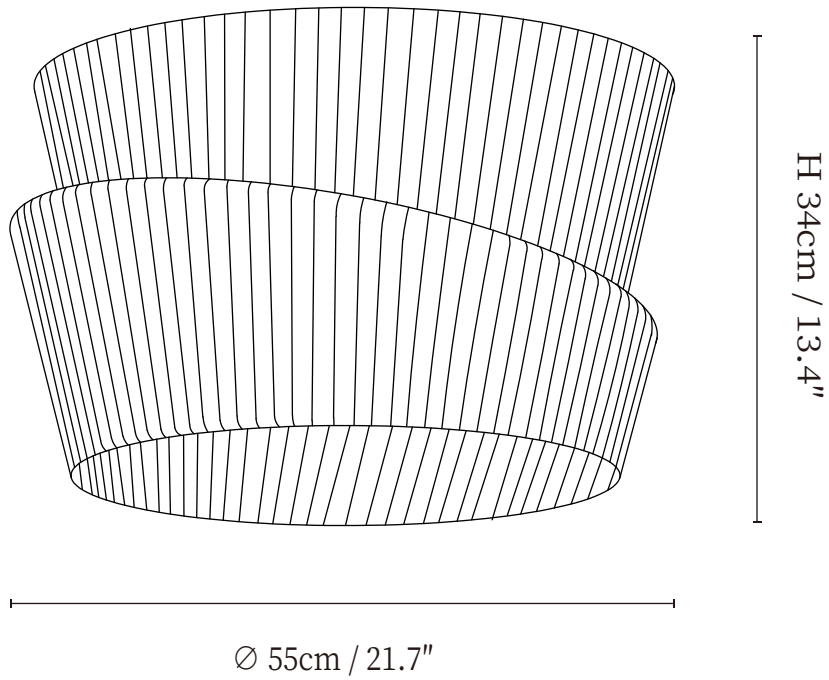


SPECIFICATION SHEET



SPECIFICATION DETAILS

*For custom options, consult factory for details

Fixture Dimensions	D 17.7" x H 11.0", D 21.7" x H 13.4"
Light source	E26 or E27 (bulb not included)
Wattage	MAX 40W incandescent bulb or LED equivalent.
Voltage	AC 110-240V
Dimming	Not supported
CRI(Ra)	90+CRI
Mounting	Hardwired.
LED Rated Life	30000 hours
Color Temperature	Warm Light (3000K), Neutral Light (4000K), Cool Light (6000K)
Control method	Compatible with common wall switches (included)
Finishes	Beige
Shade Details	Beige
Material	Metal, Iron, Fabric