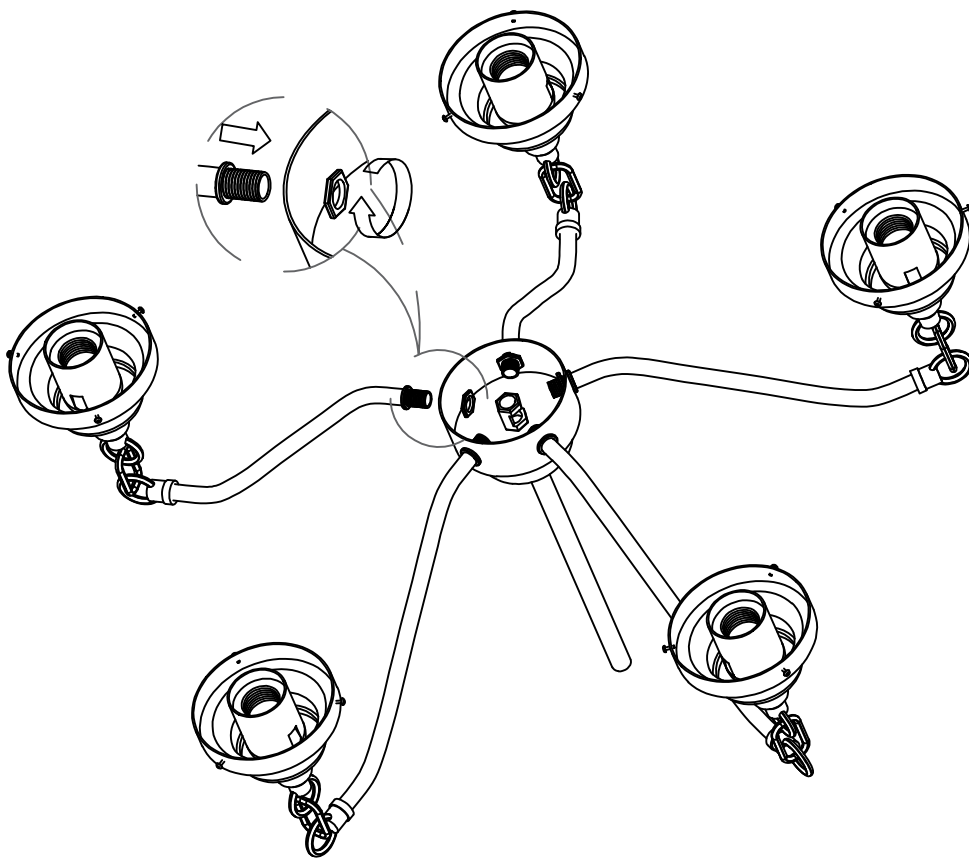
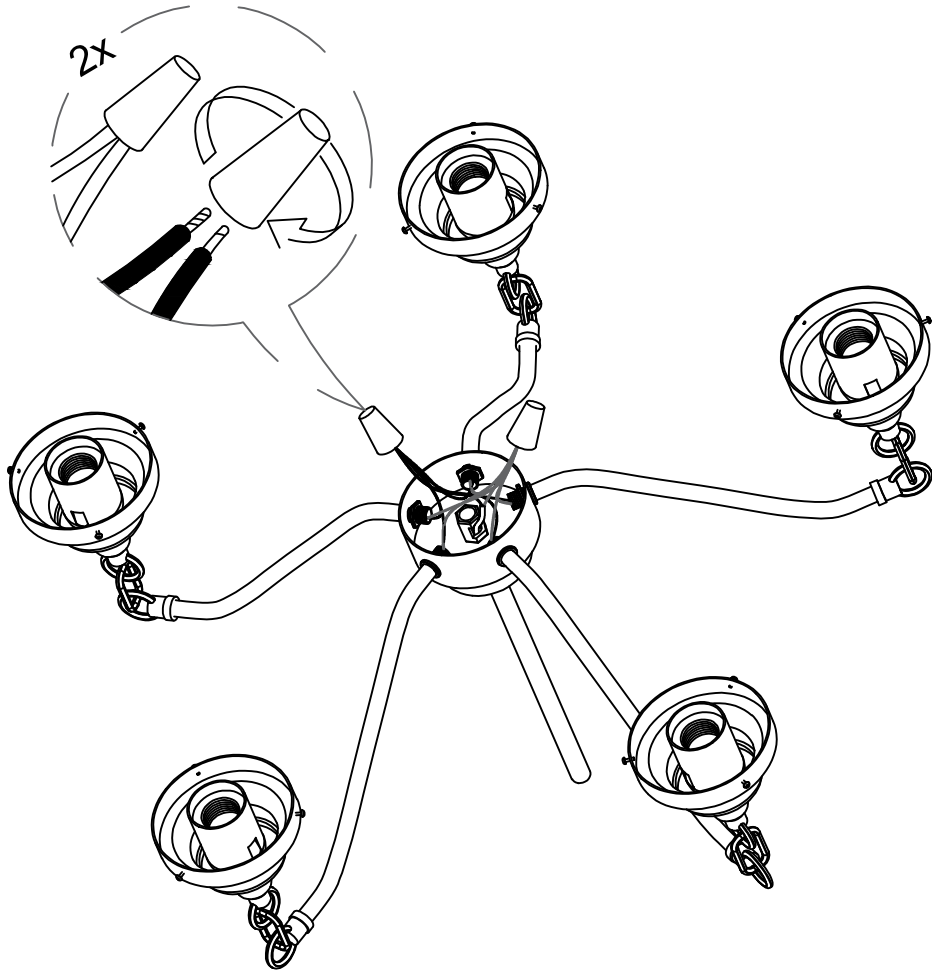


1



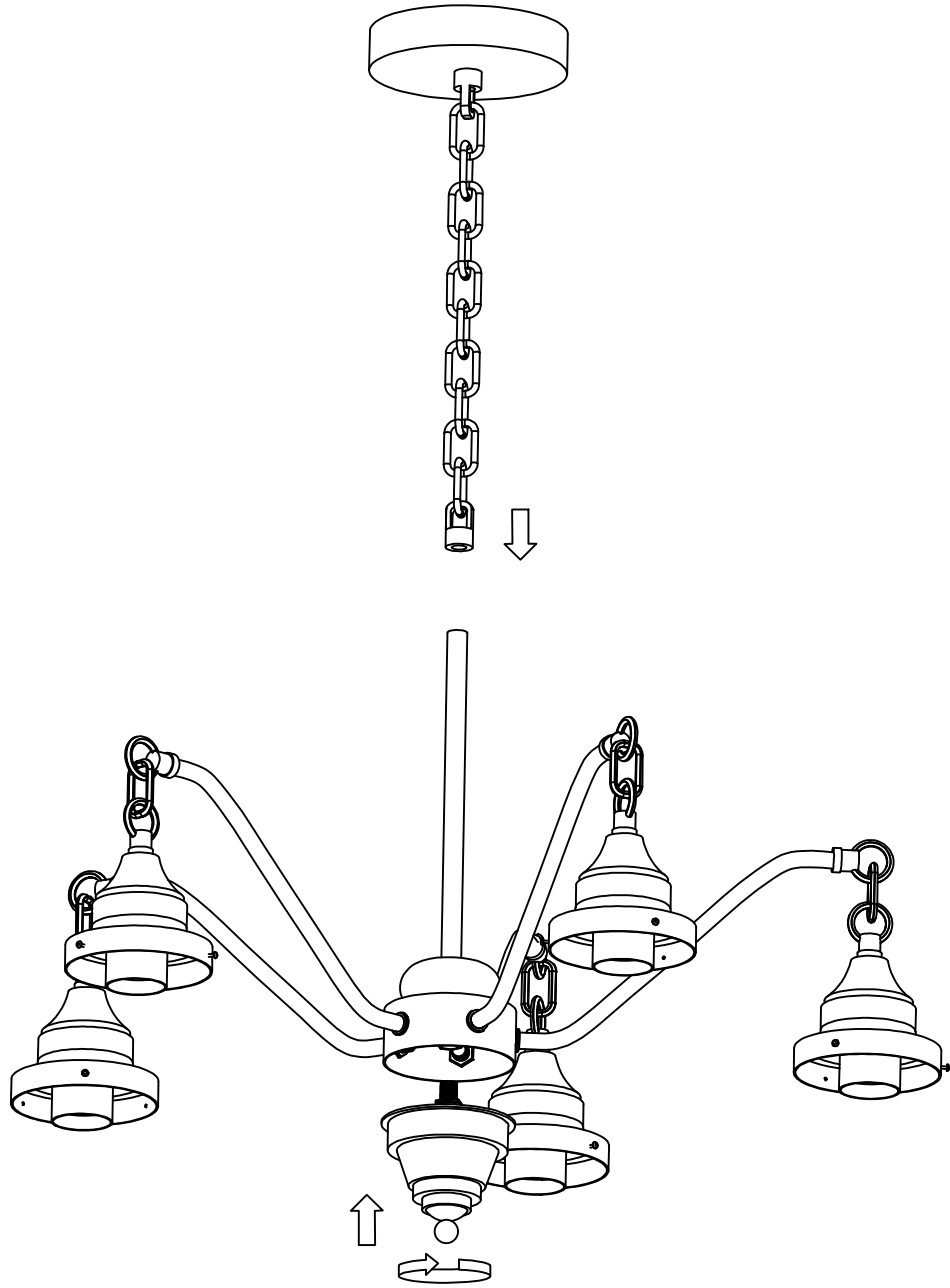
Use screws to lock the lamp arm onto the lamp body

2



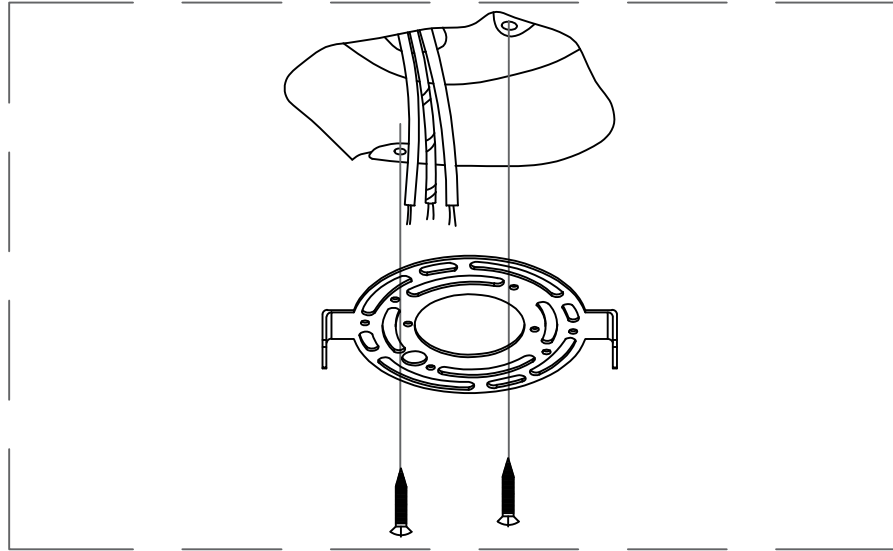
The main line is connected to the wires of the same color

3

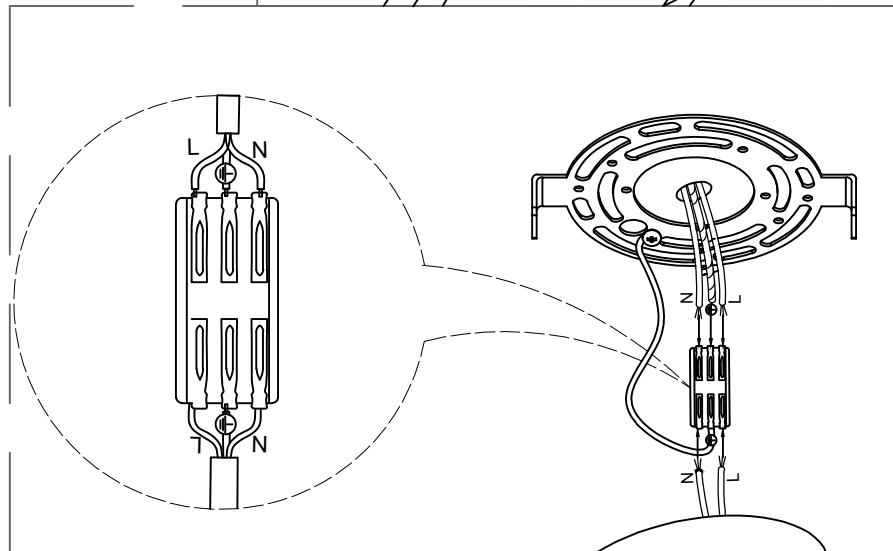
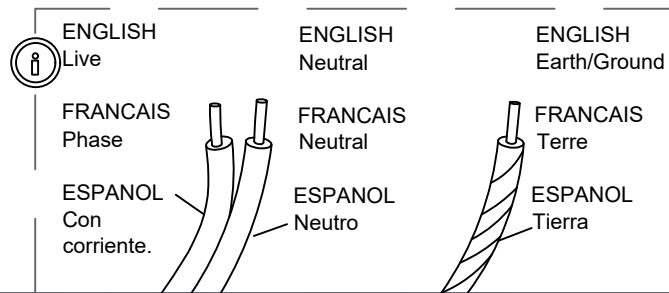


Assemble the lamp body

4

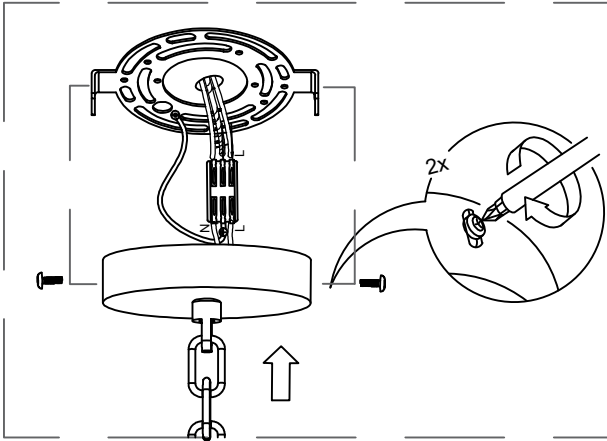


Fasten the hanging board to the ceiling with screws

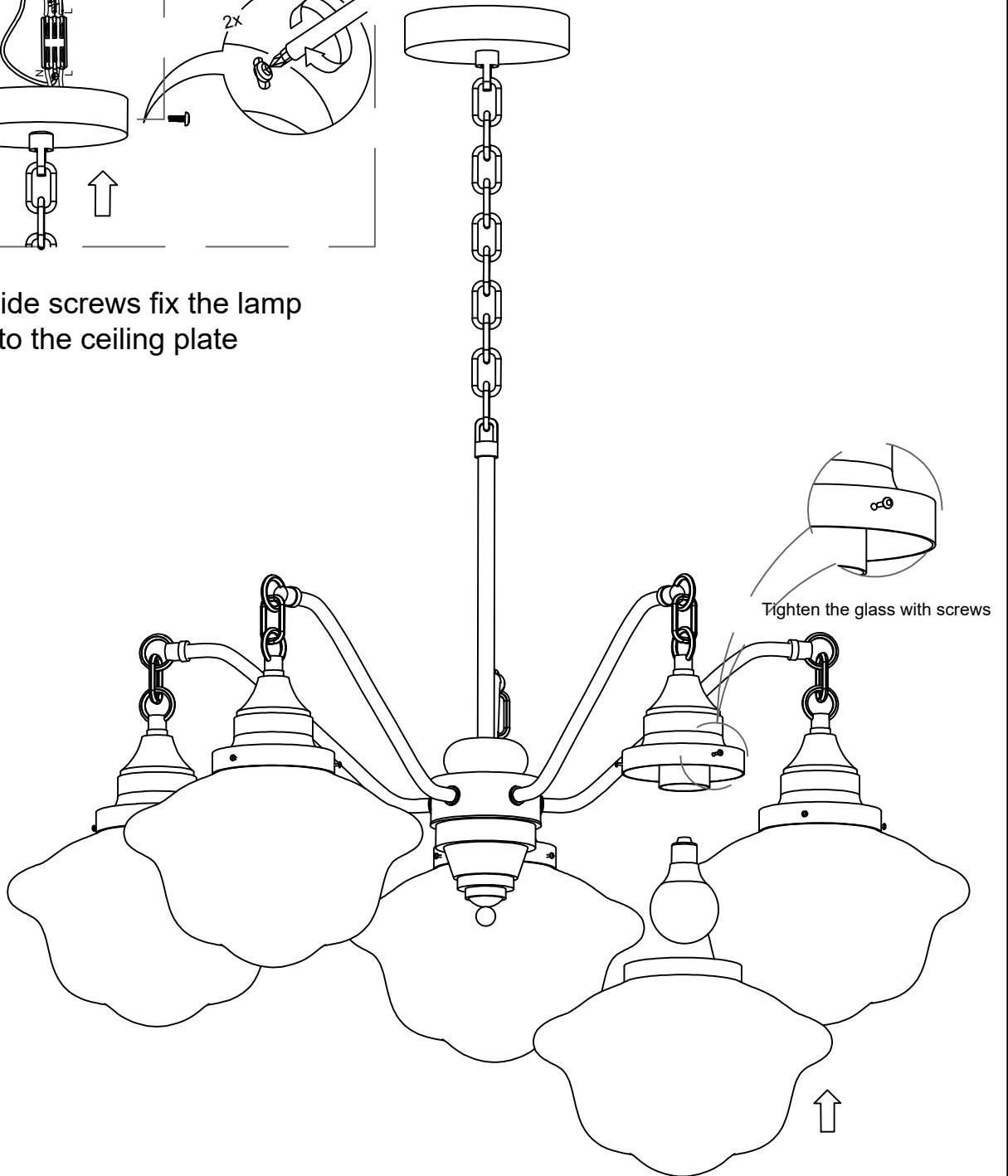


The wires in the home are connected to the wires in the lamps through the wire terminals

5



The side screws fix the lamp body to the ceiling plate



Tighten the glass with screws