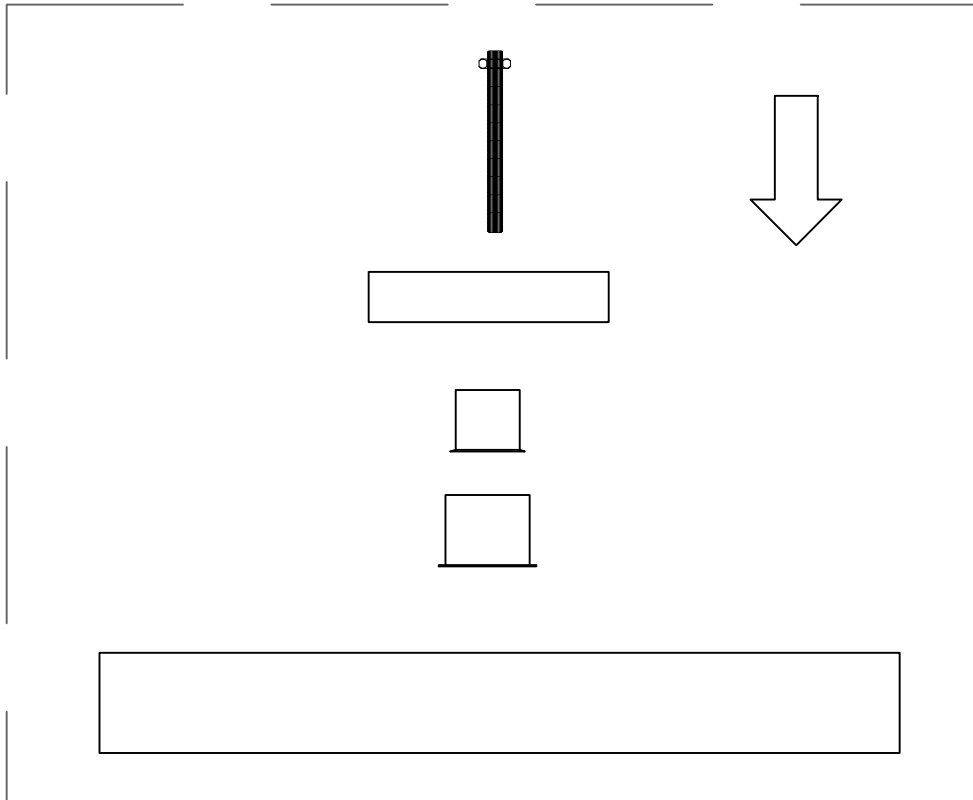
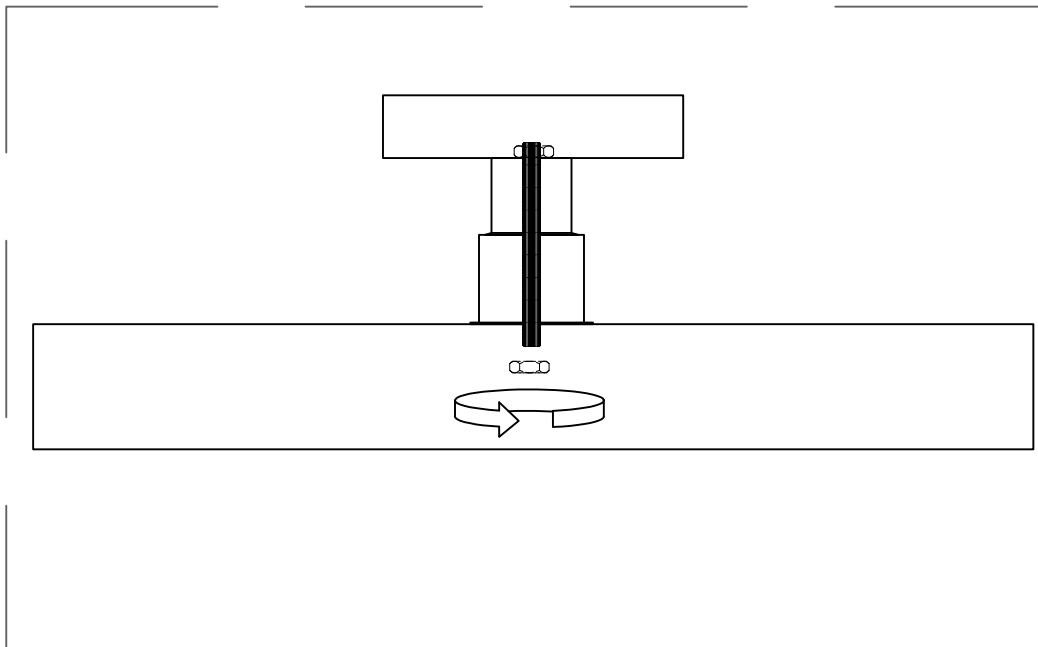


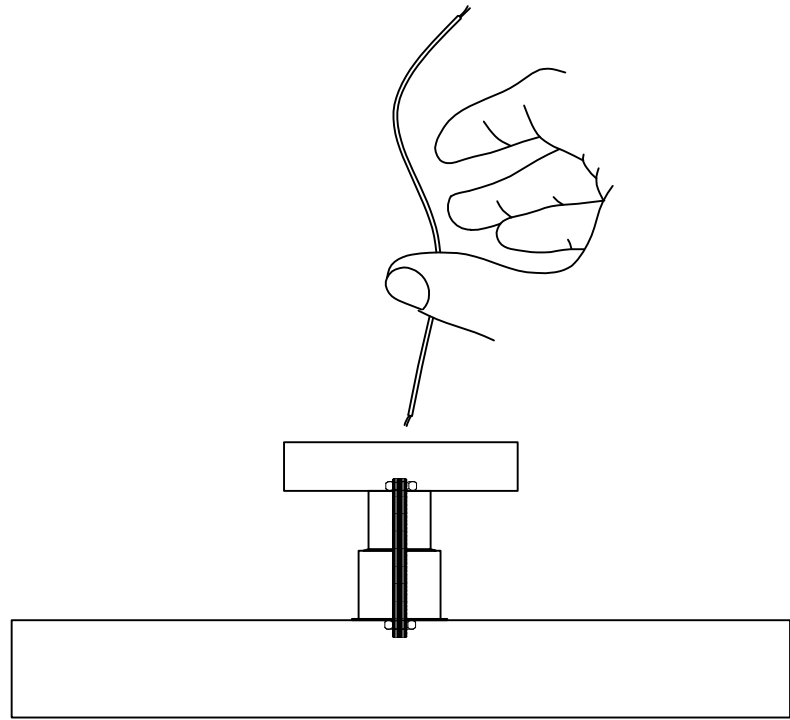
1



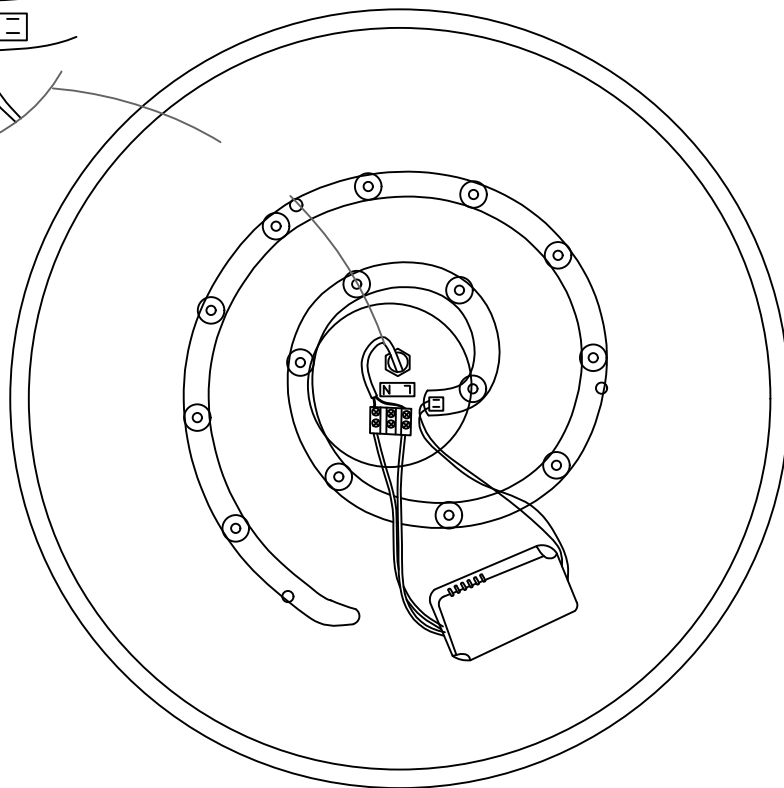
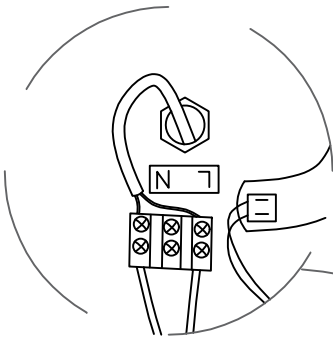
Assemble the lamp body



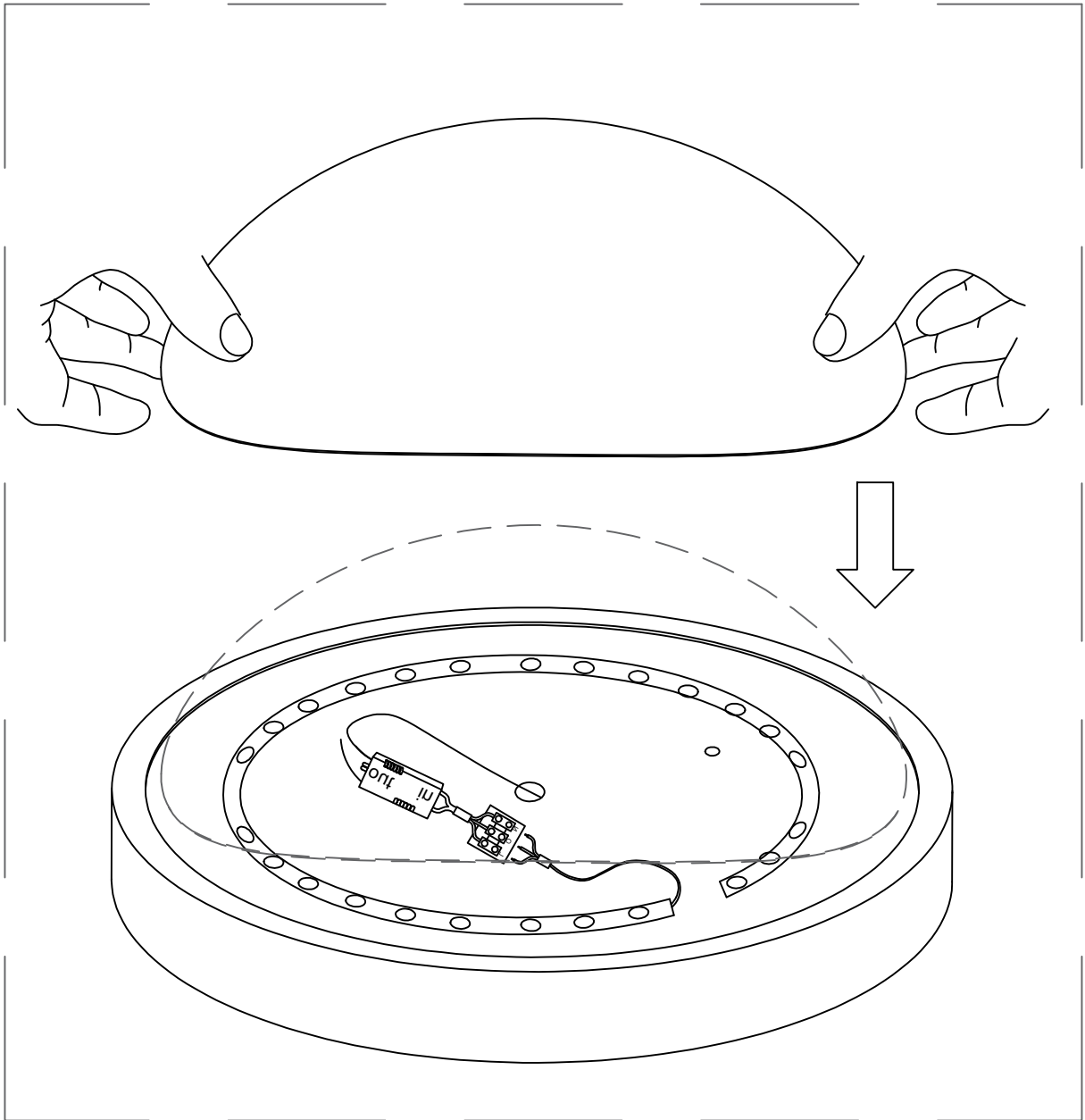
2



Insert the main line and connect it to the internal terminal

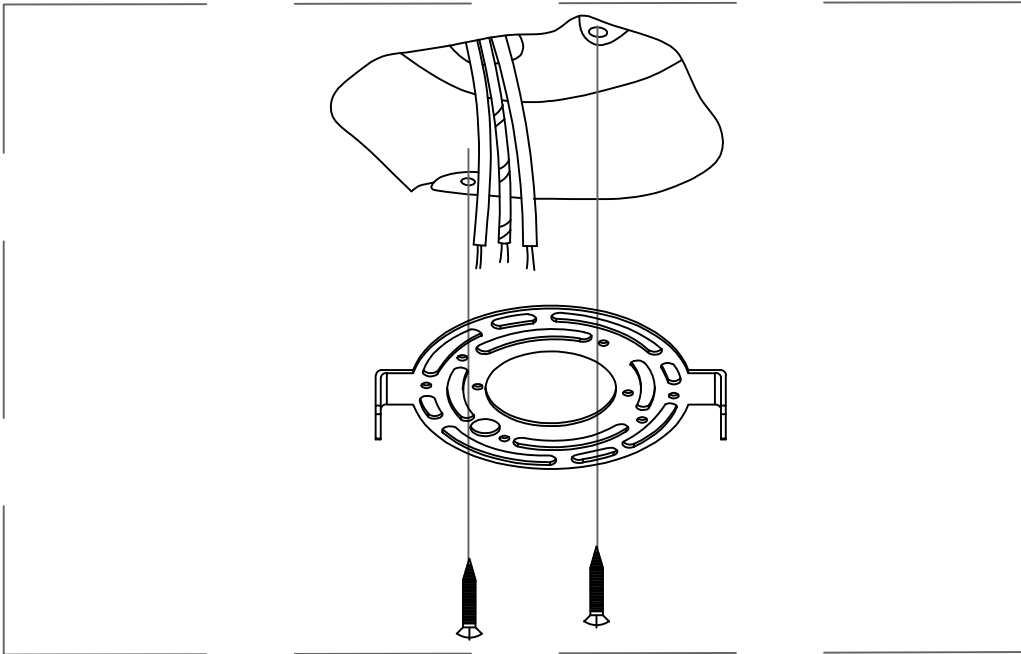


3

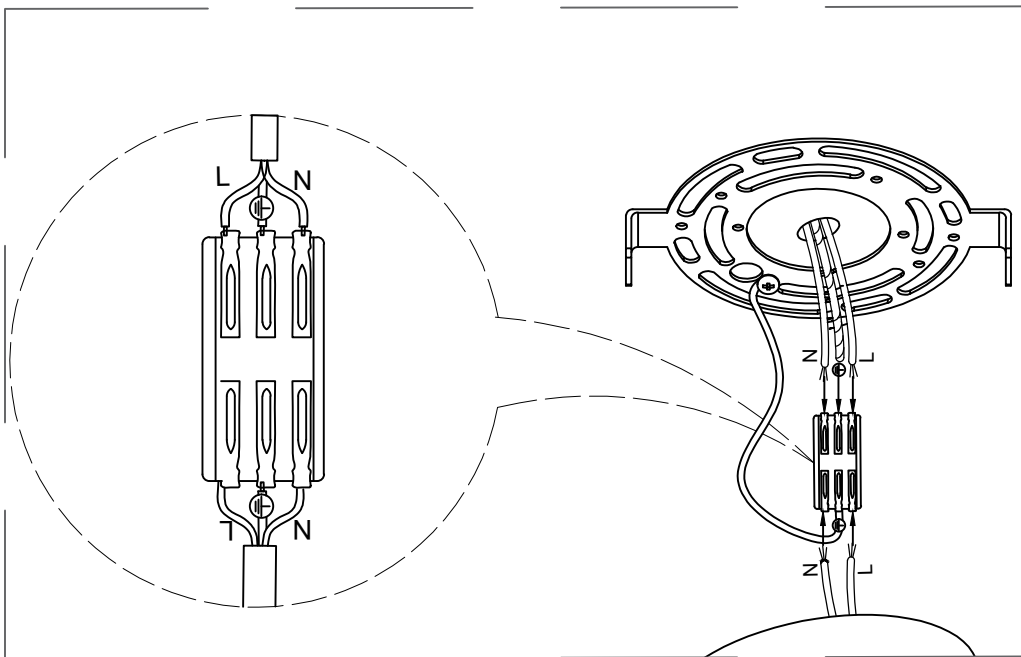


Gently bend and insert into acrylic

4

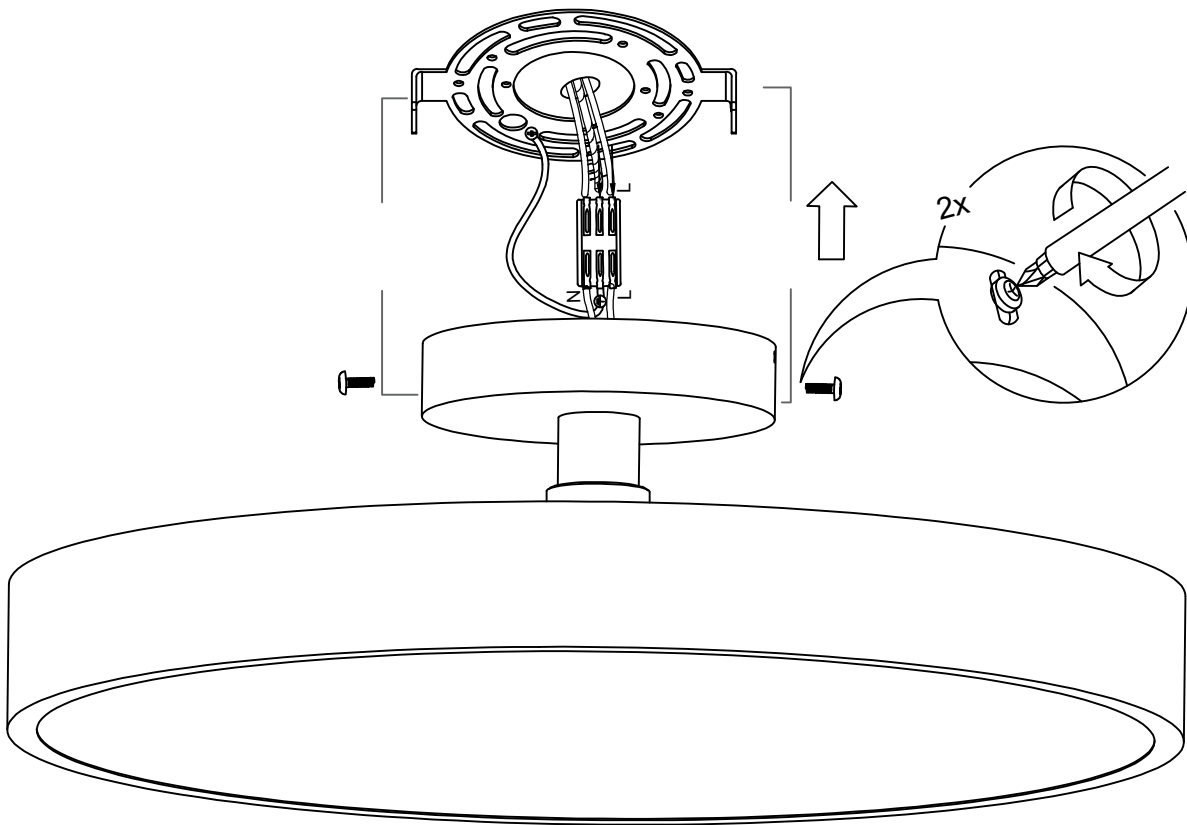


Fasten the hanging board to the ceiling with screws



The wires in the home are connected to the wires in the lamps through the wire terminals

5



The side screws fix the lamp body to the ceiling plate