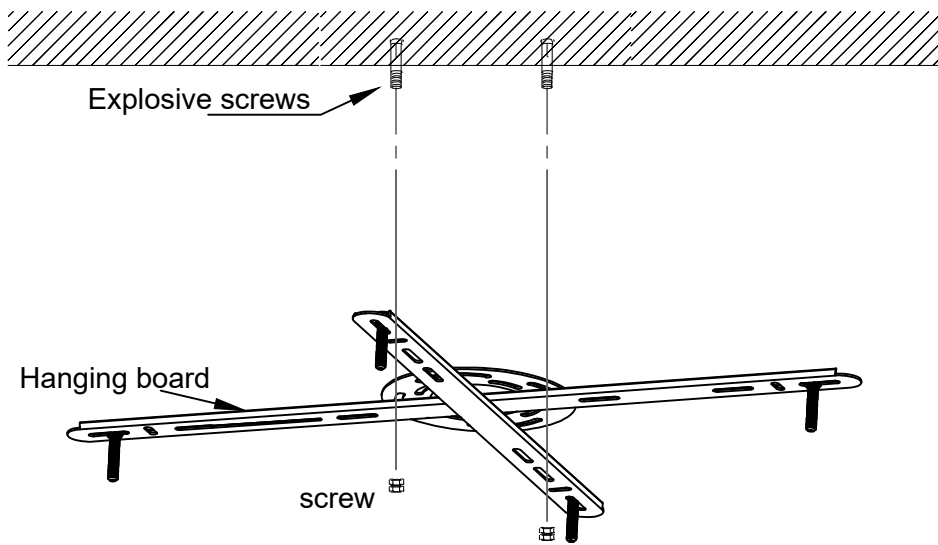
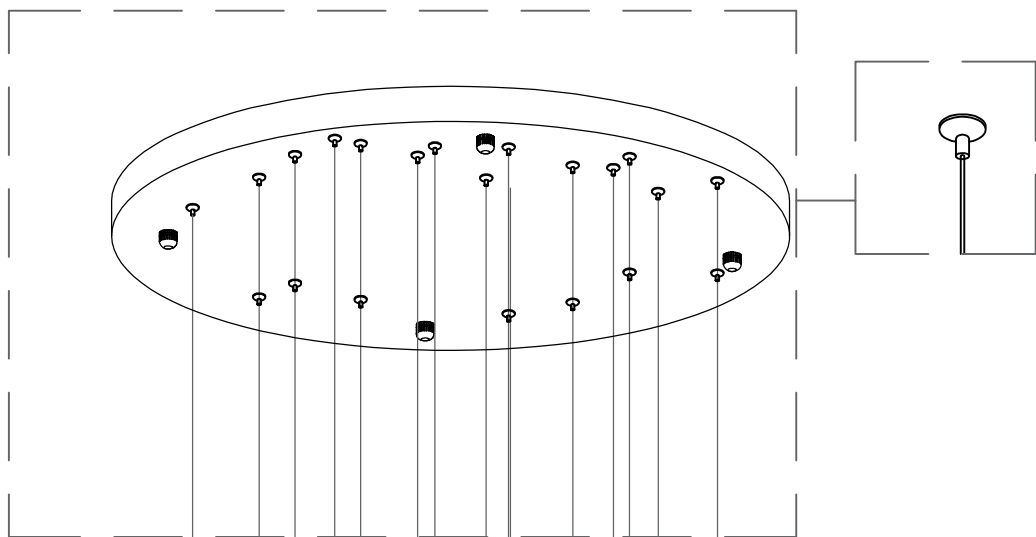


1

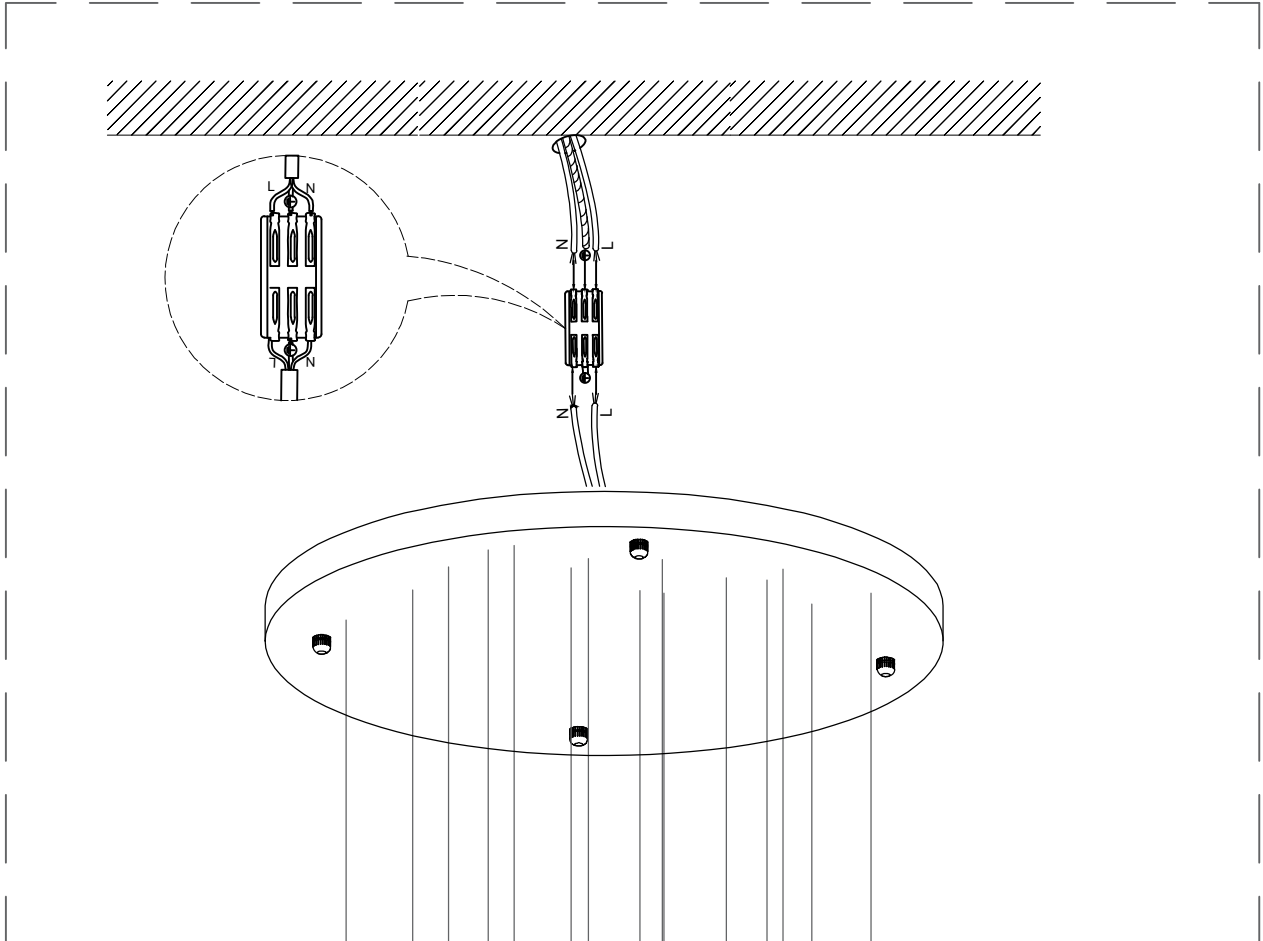


Fasten the hanging board to the ceiling with screws



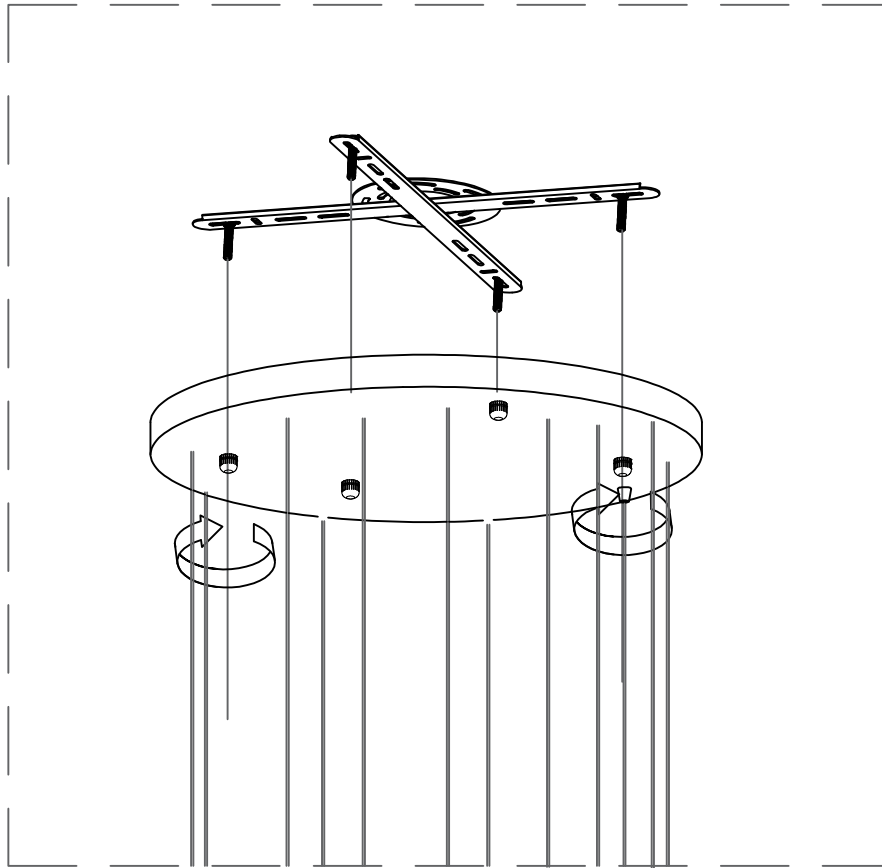
After installation, the length of the line can be adjusted by pressing the pulling head

2



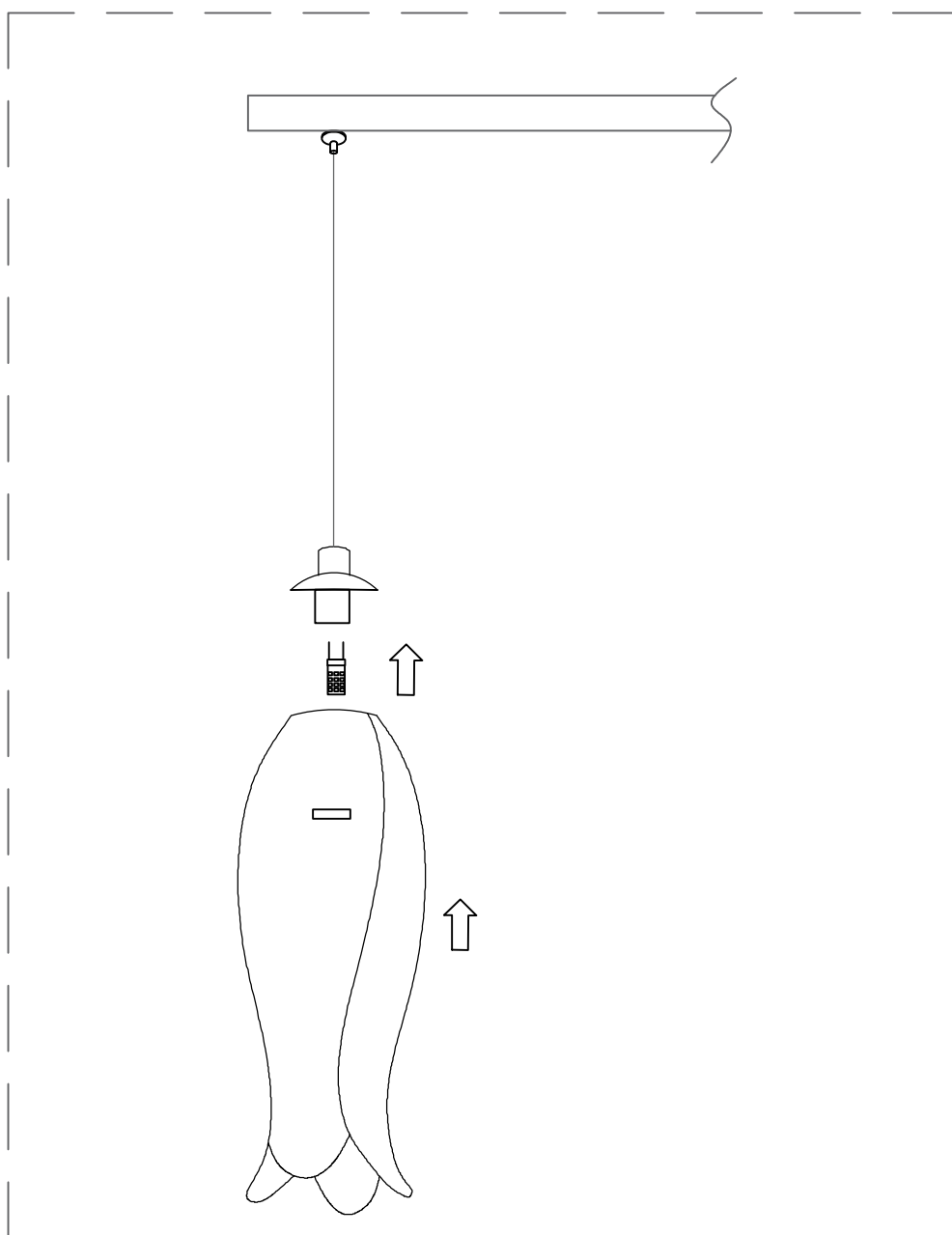
The wires in the home are connected to the wires in the lamps through the wire terminals

3



Use hand-made nuts to fix the lamp body on the hanging board

4



Install the light source and lampshade