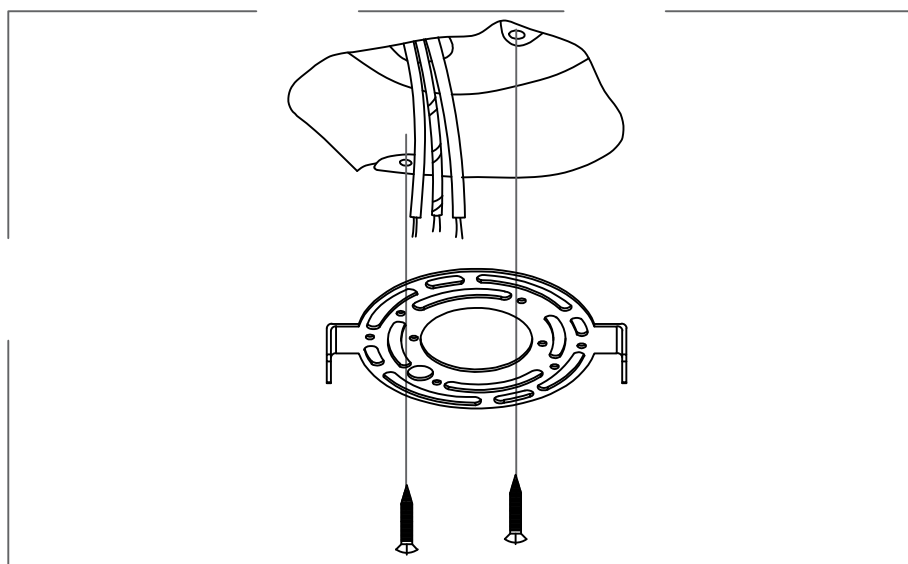
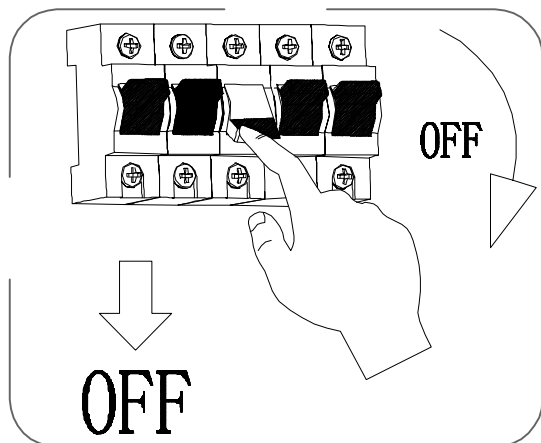
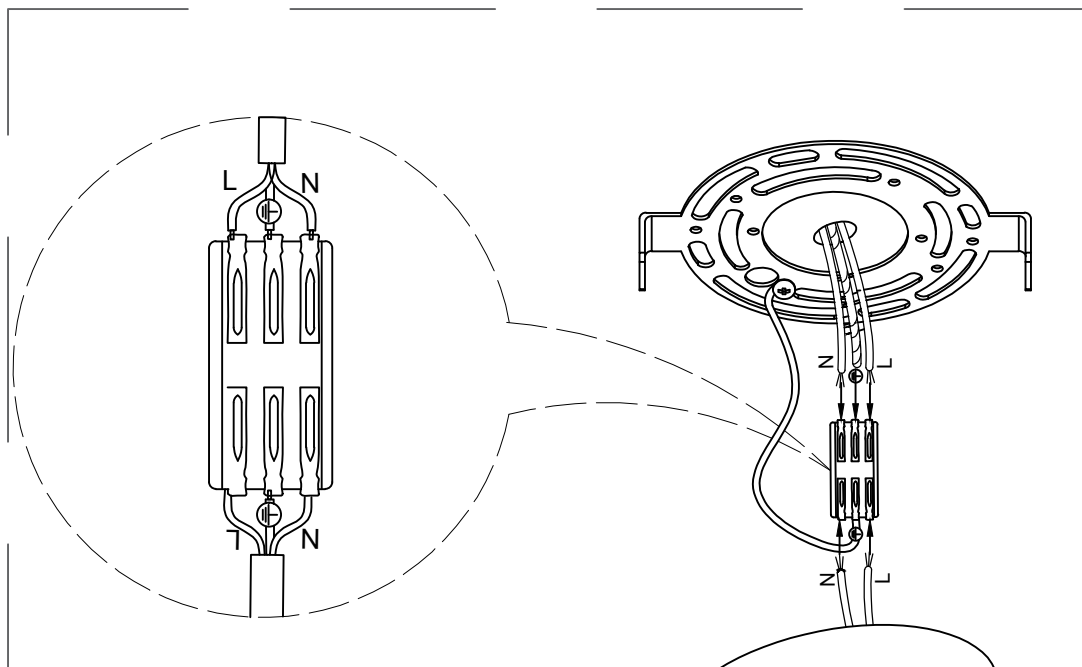


1



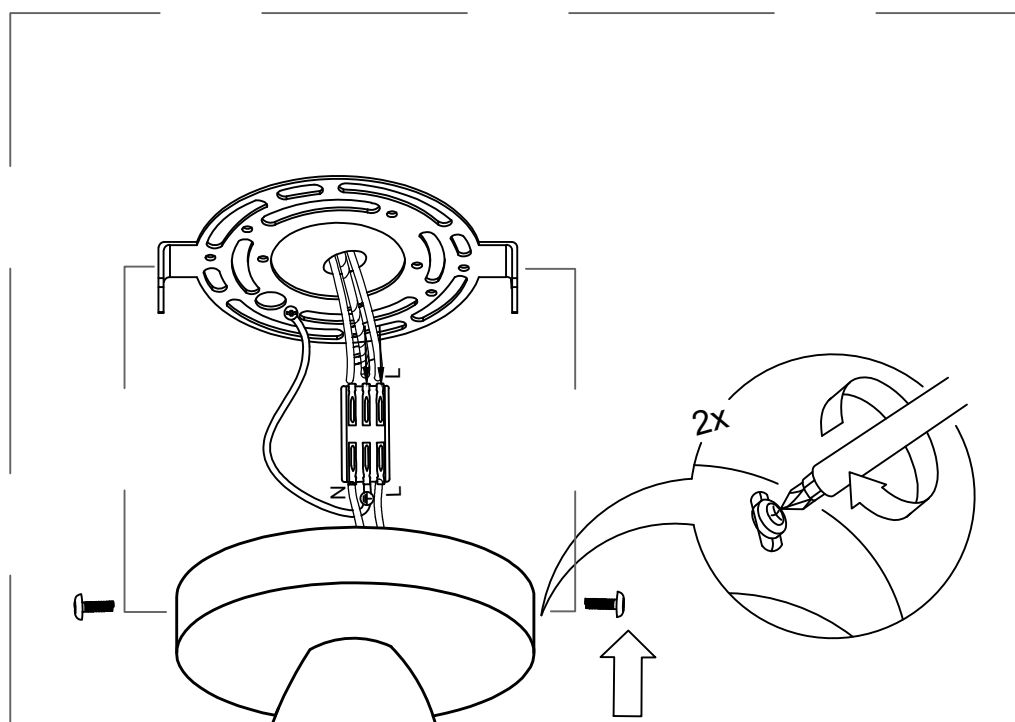
Fasten the hanging board to the ceiling with screws

2



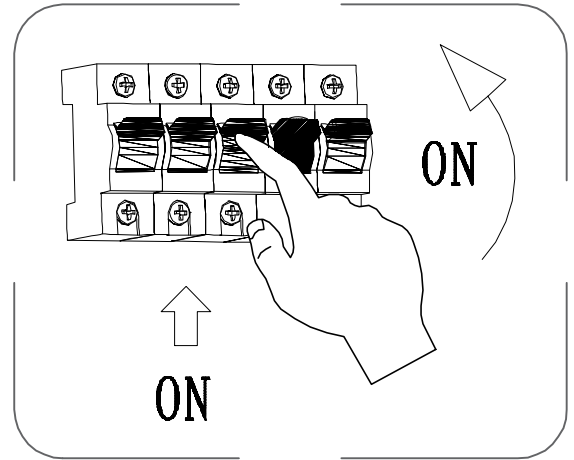
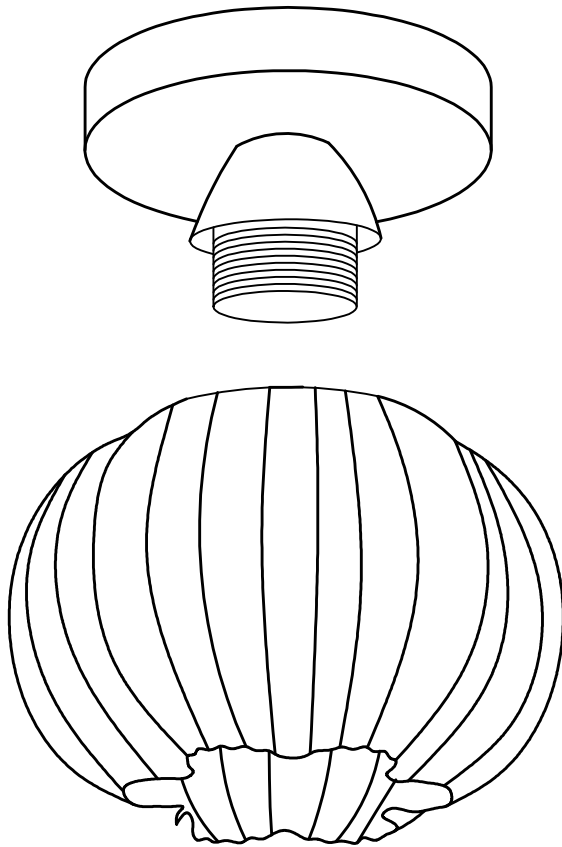
The wires in the home are connected to the wires in the lamps through the wire terminals

3



The side screws fix the lamp body to the ceiling plate

4



Installing light source and lampshade

