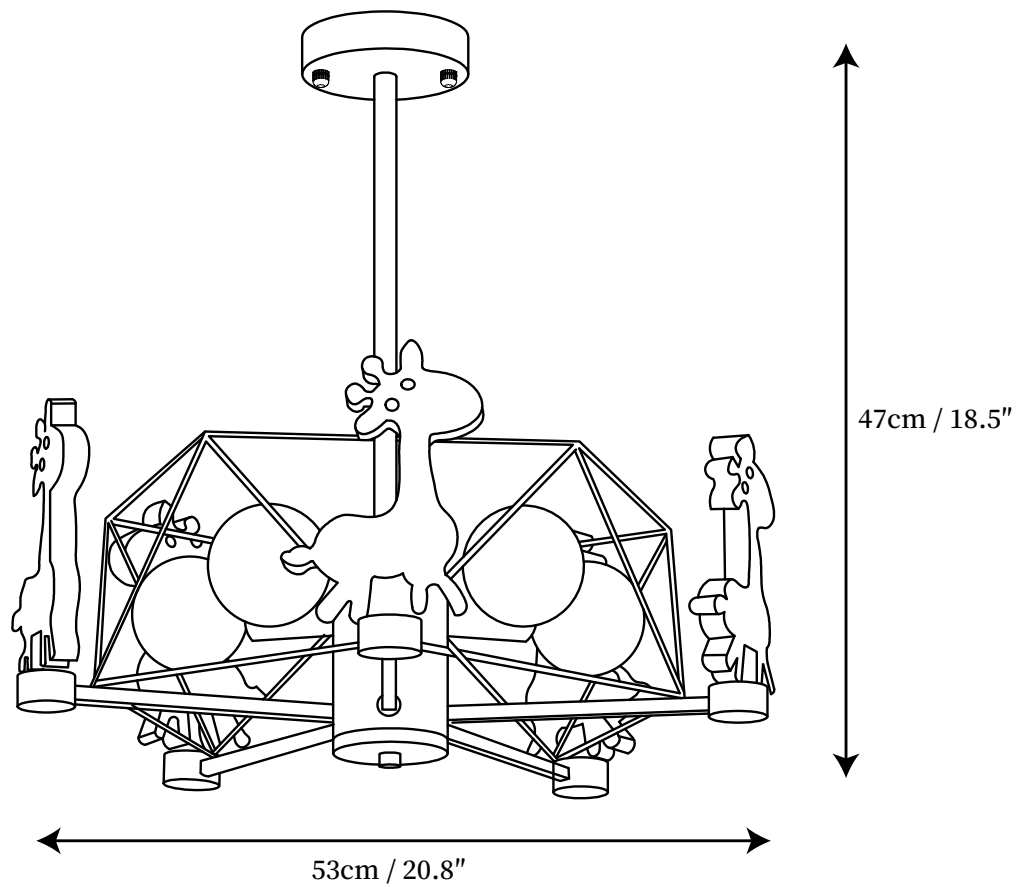


SPECIFICATION SHEET



SPECIFICATION DETAILS

*For custom options, consult factory for details

| | |
|-----------------------------|---|
| Fixture Dimensions | D 20.8" x H 18.5" |
| Light source | E27 |
| Wattage | Max 40W |
| Voltage | AC 110-240V |
| Color Temperature | Based on the purchase of light bulbs |
| CRI(Ra) | 80CRI |
| Mounting | Ceiling |
| Driver Required | NO |
| Optional Color Temps | Buy bulbs as needed |
| LED Rated Life | Based on bulb life (we do not supply bulbs) |
| Dimming | Dimming is not supported |
| Finishes | Green & Natural wood, Pink & Natural wood |
| Glass Details | White glass |
| Material | Metal, Glass, Wood |
| Wire Length | 59" |
| Wire Type | Black Coaxial Wire |