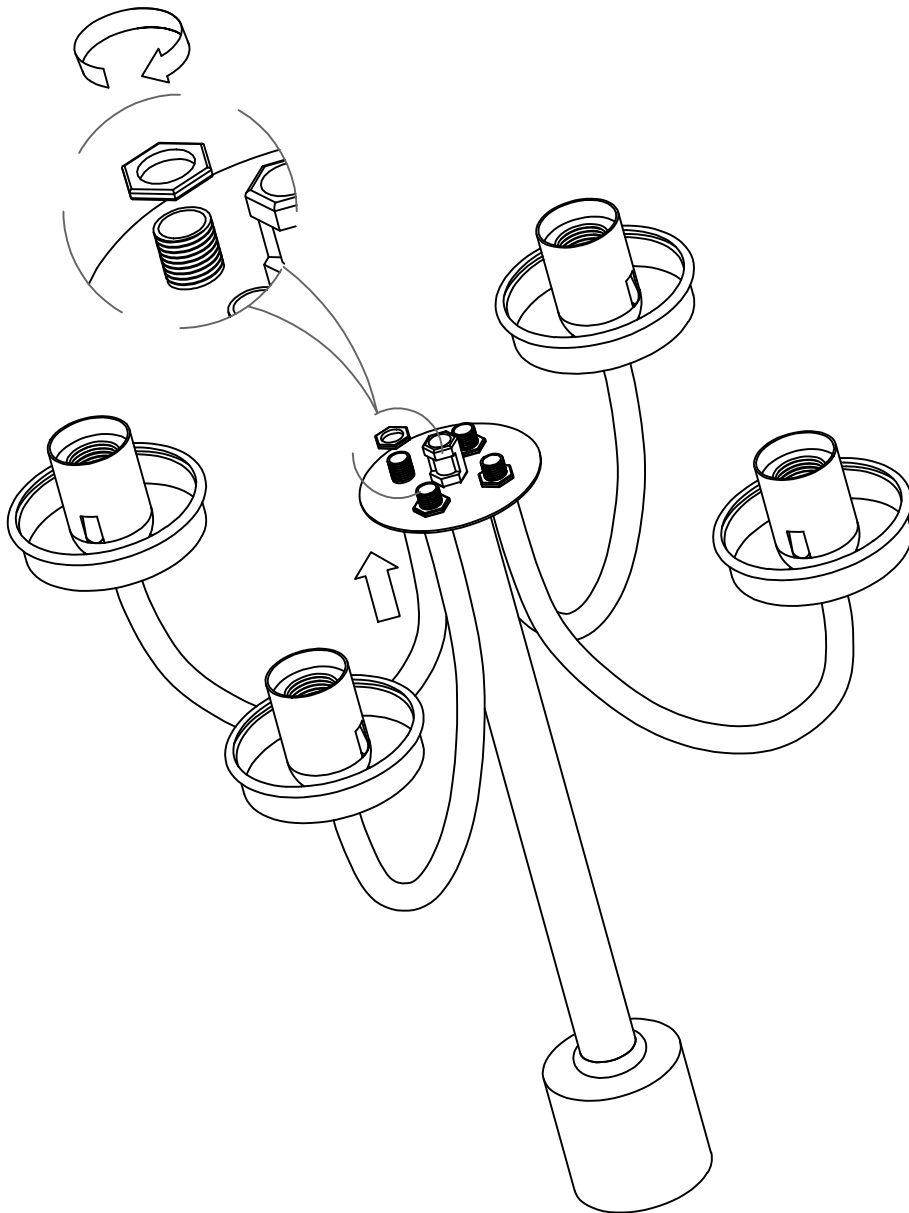
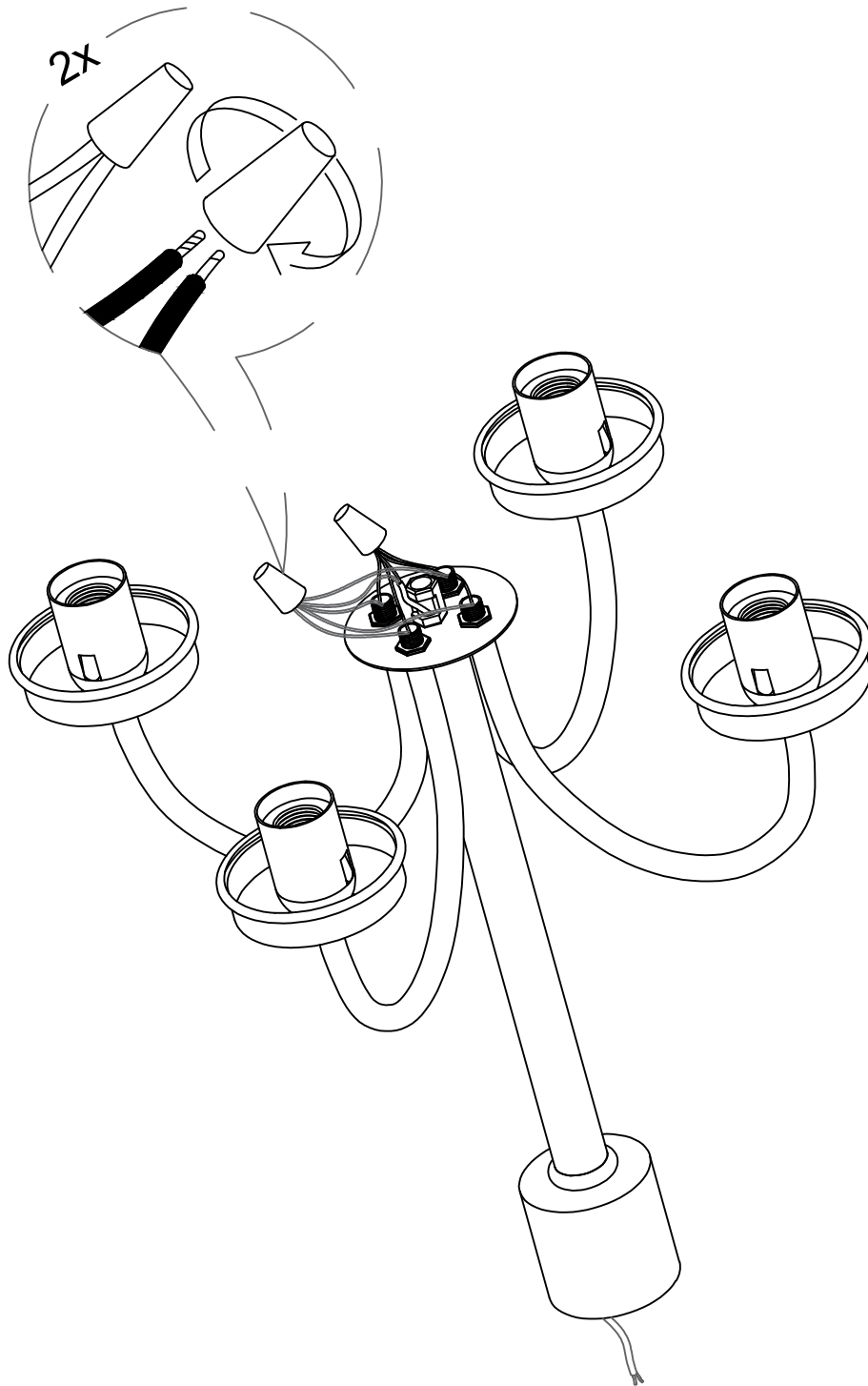


1



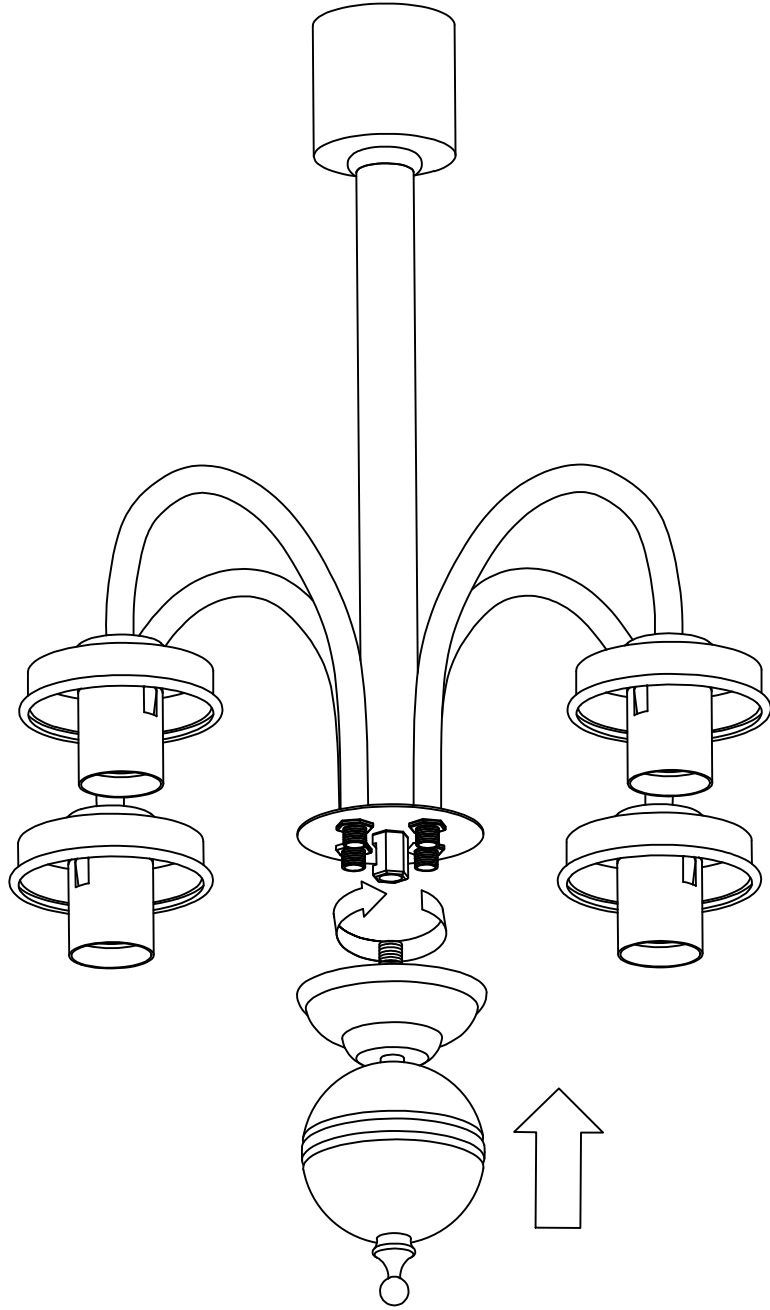
Use screws to lock the lamp arm onto the lamp body

2



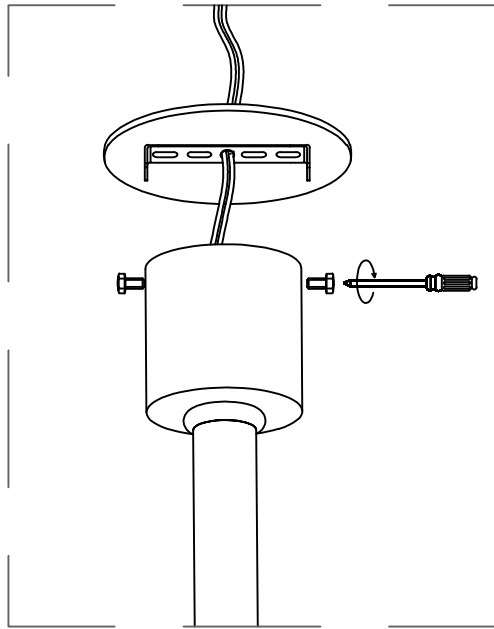
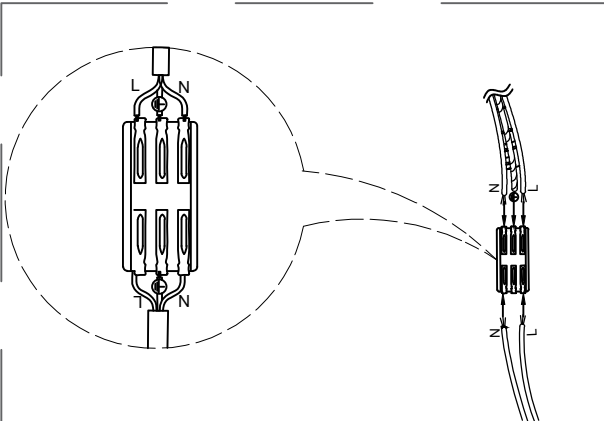
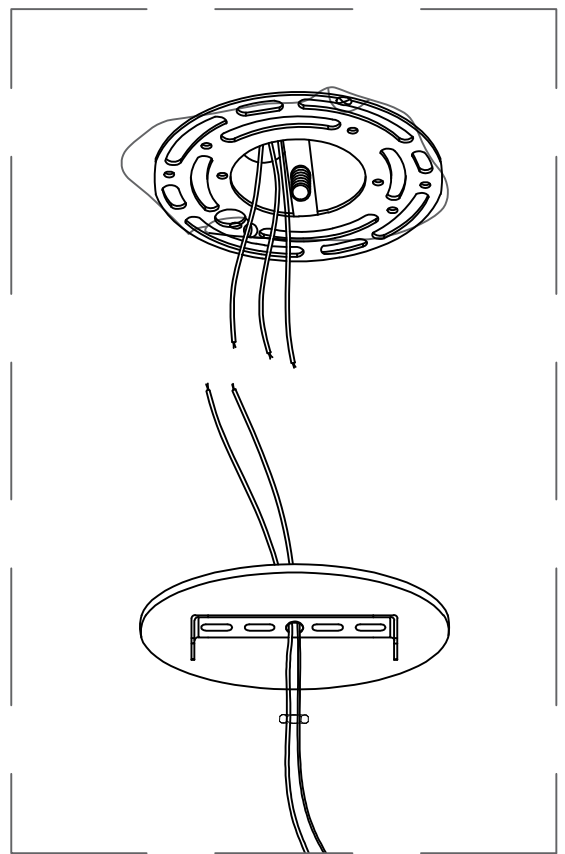
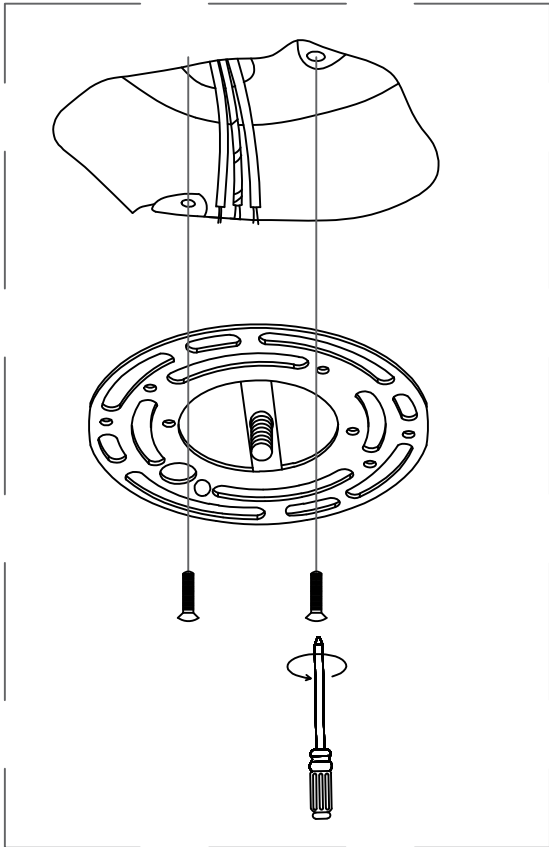
The main line is connected to the wires of the same color


3



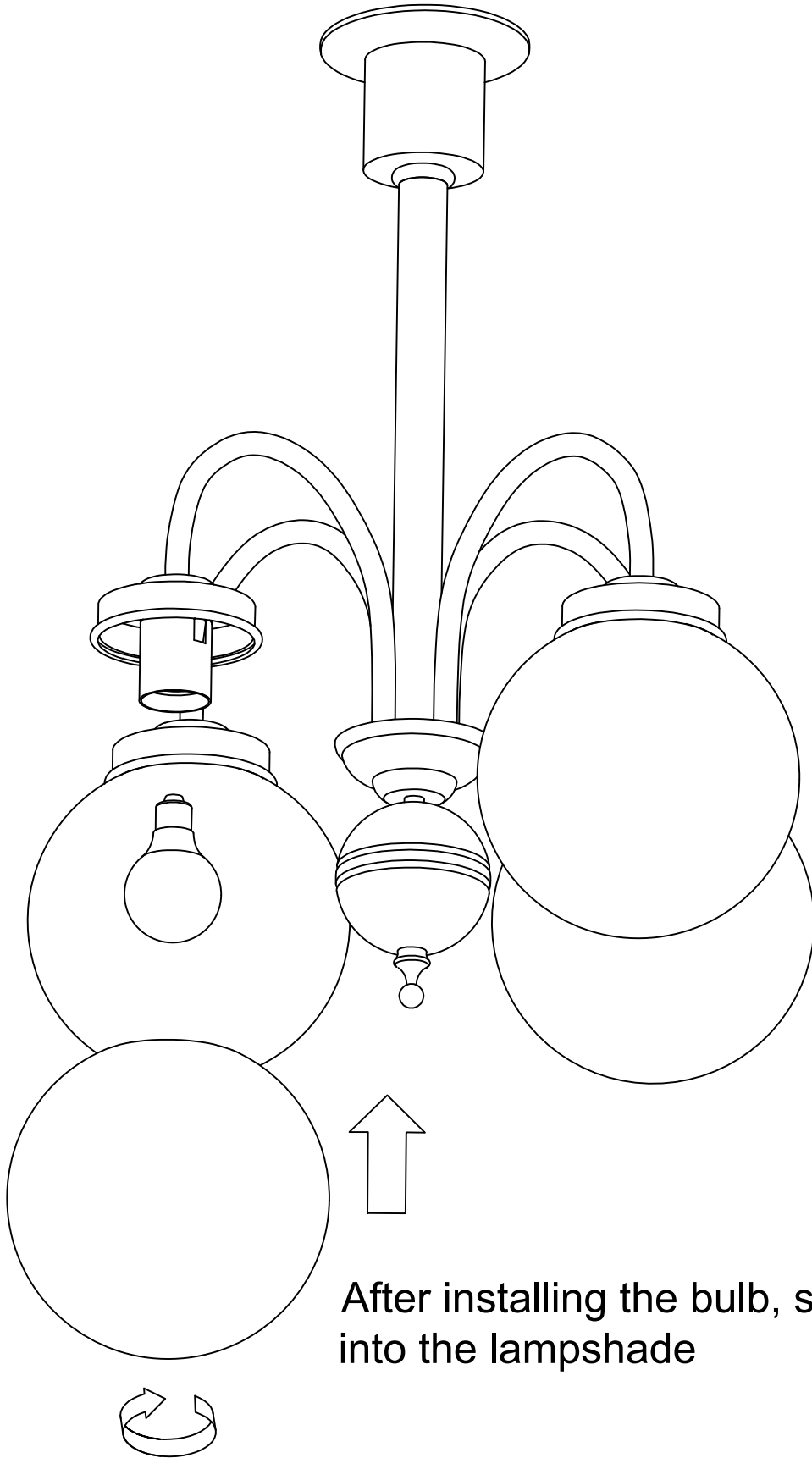
Install the base

4



<p> ENGLISH Live</p> <p>FRANCAIS Phase</p> <p>ESPAÑOL Con corriente.</p>	<p>ENGLISH Neutral</p> <p>FRANCAIS Neutro</p> <p>ESPAÑOL Neutro</p>	<p>ENGLISH Earth/Ground</p> <p>FRANCAIS Terre</p> <p>ESPAÑOL Tierra</p>
---	---	---

5



After installing the bulb, screw it into the lampshade