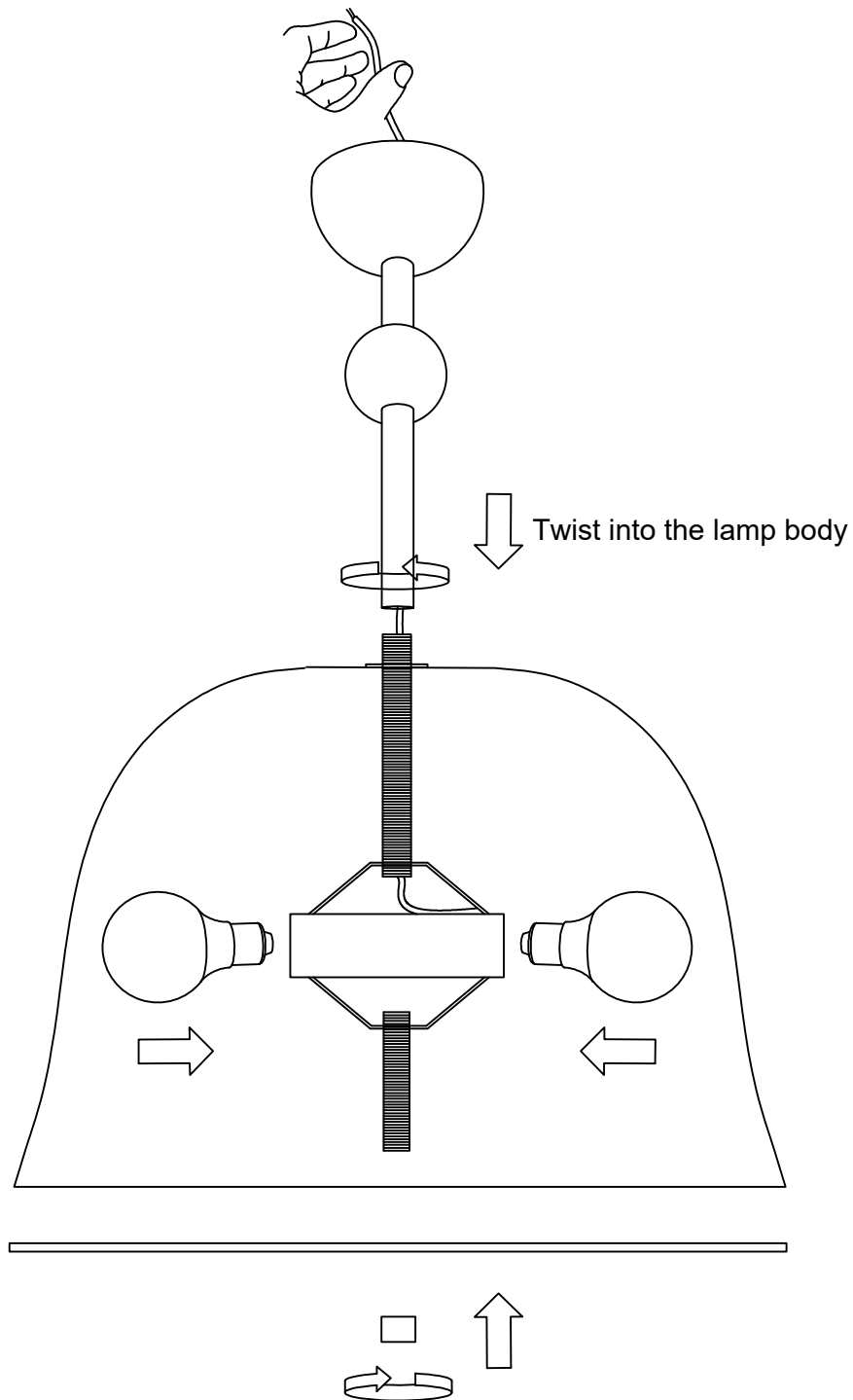


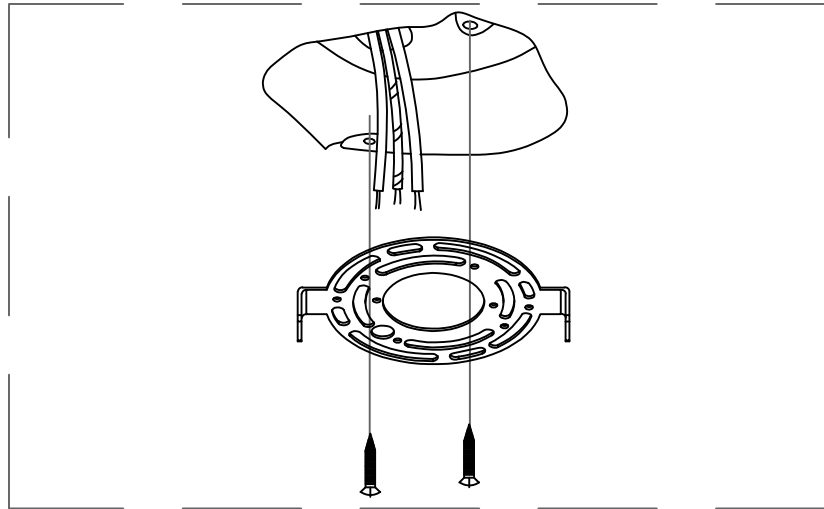
# 1

The main wire passes through the lamp body and connects with the lamp body wire

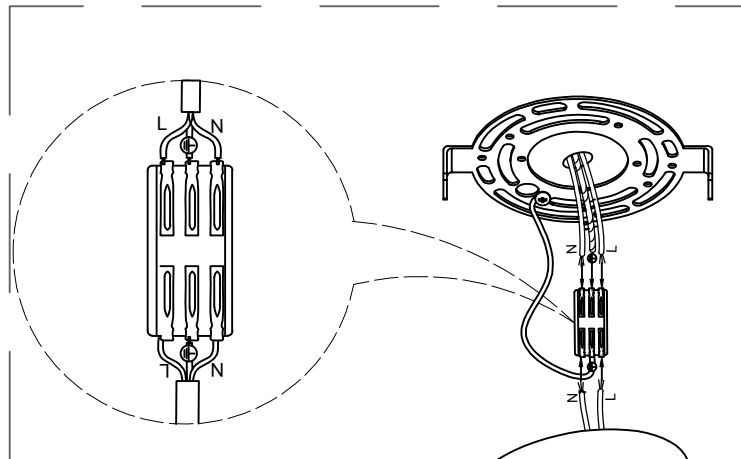
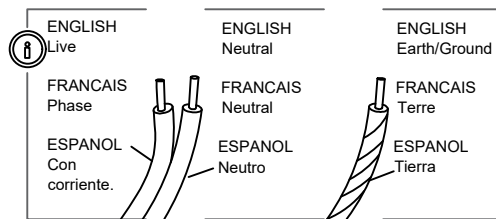


After installing the light source, gently put the light transmission plate into the lower mouth of the lampshade and tighten it with a manual nut

# 2

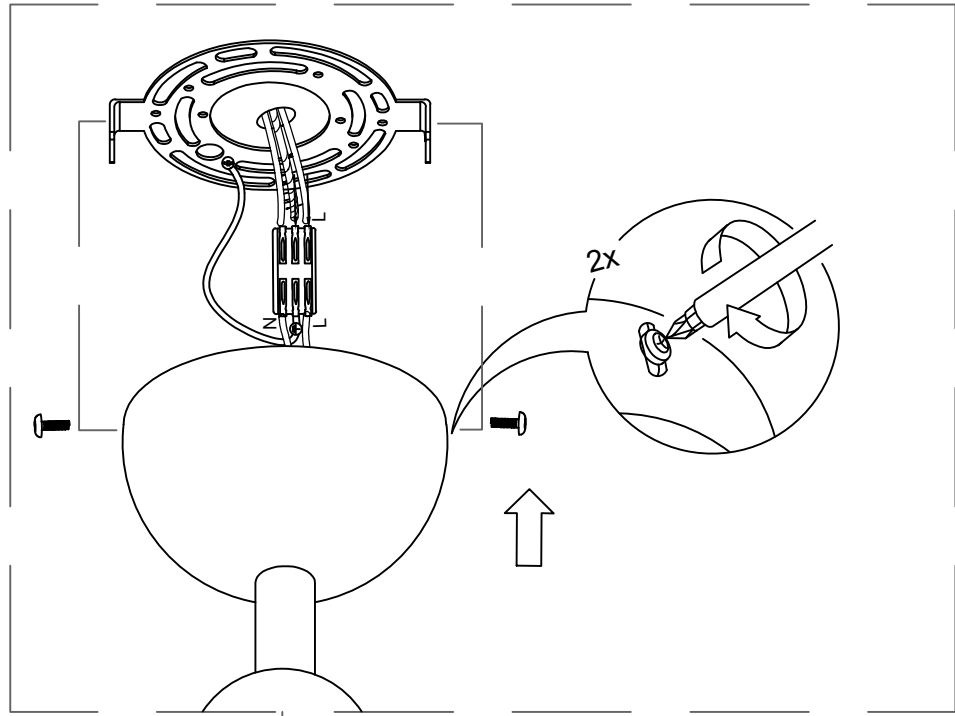


Fasten the hanging board to the ceiling with screws



The wires in the home are connected to the wires in the lamps through the wire terminals

# 3



The side screws fix the lamp body to the ceiling plate

