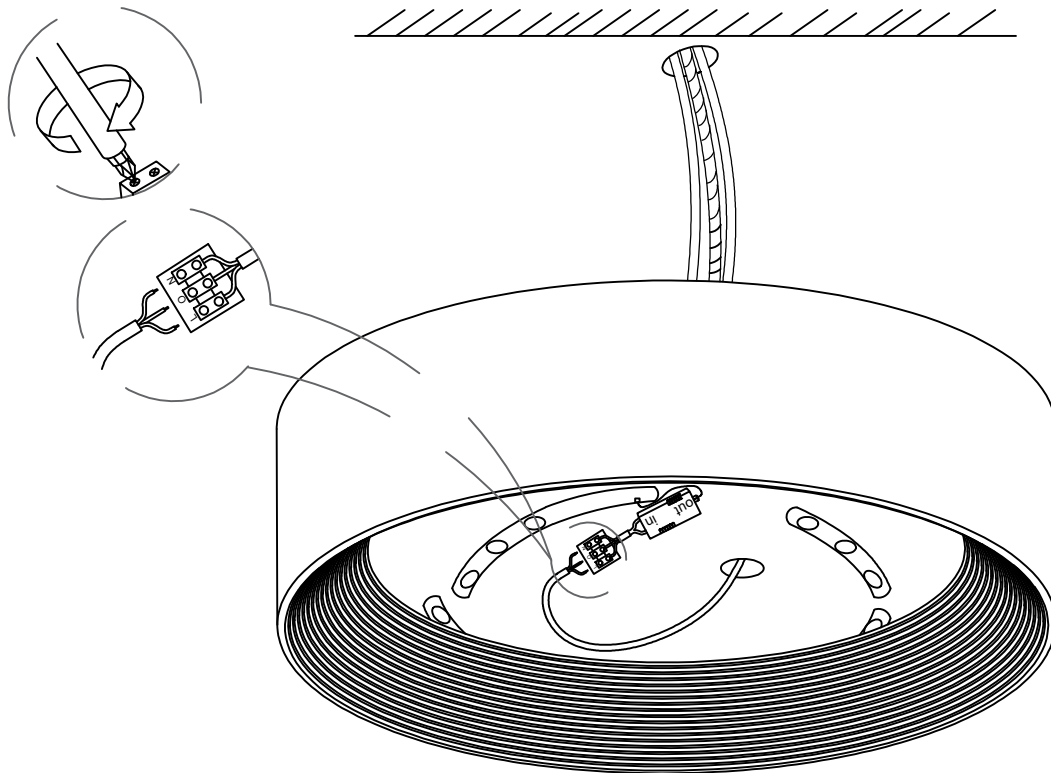
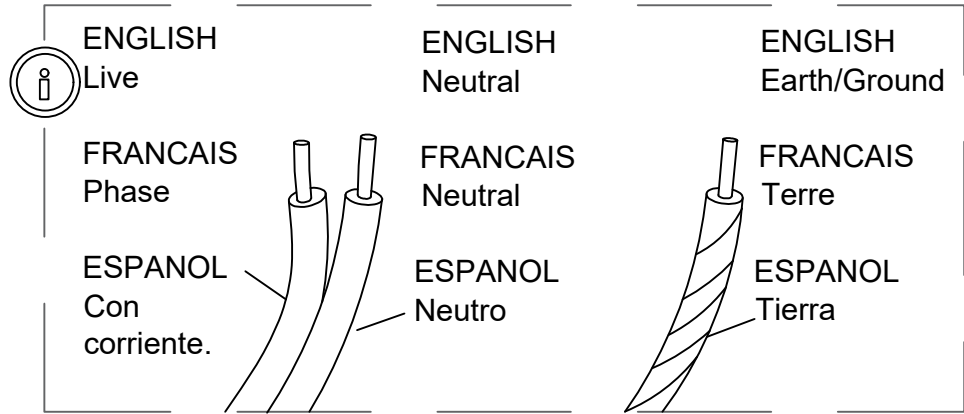
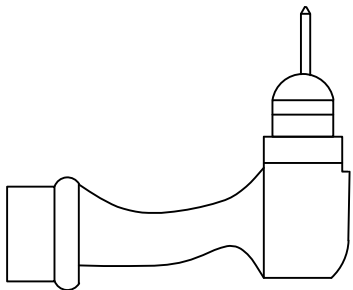
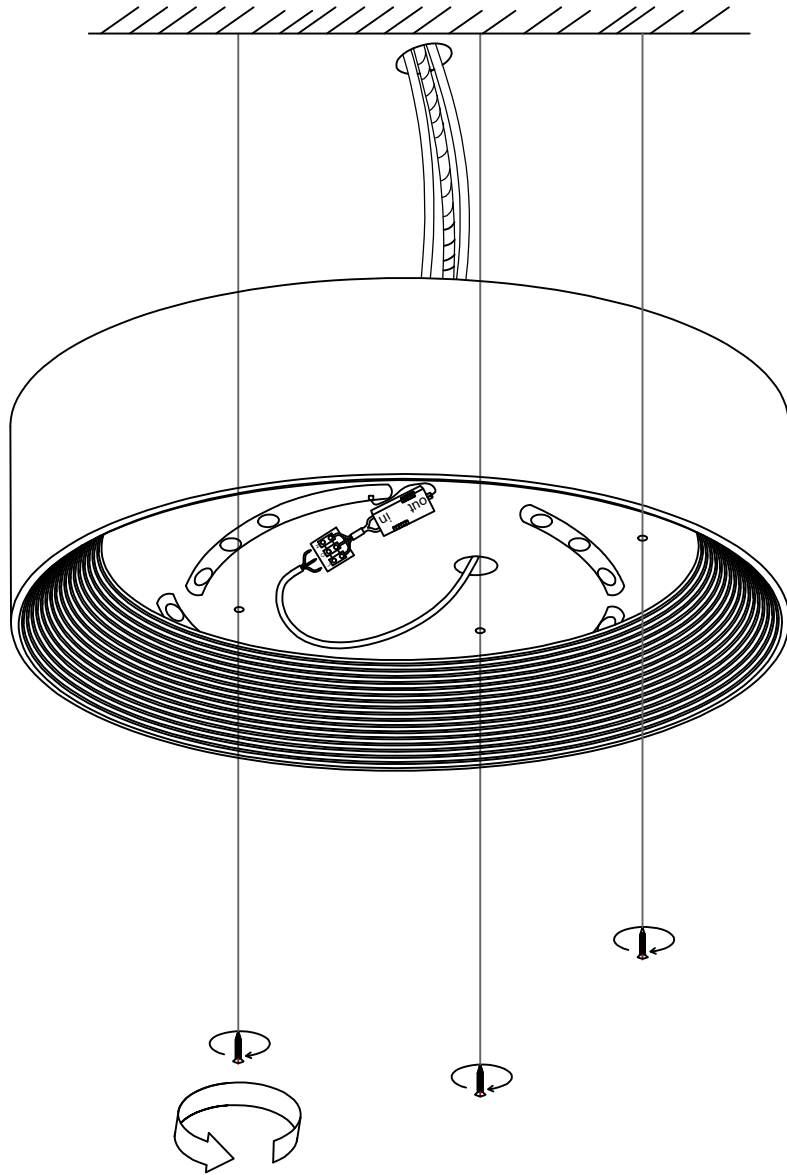


1



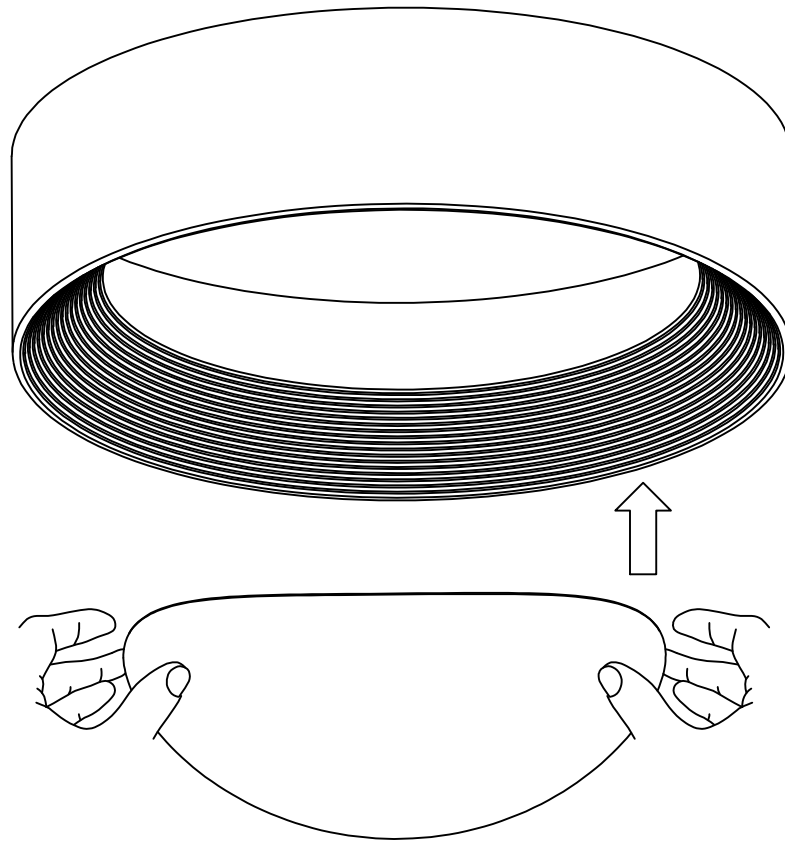
The wires in the home are connected to the wires in the lamps through the wire terminals

2



Fix the lamp body to the ceiling with screws

3



Gently bend the acrylic lampshade and put it into the lamp body