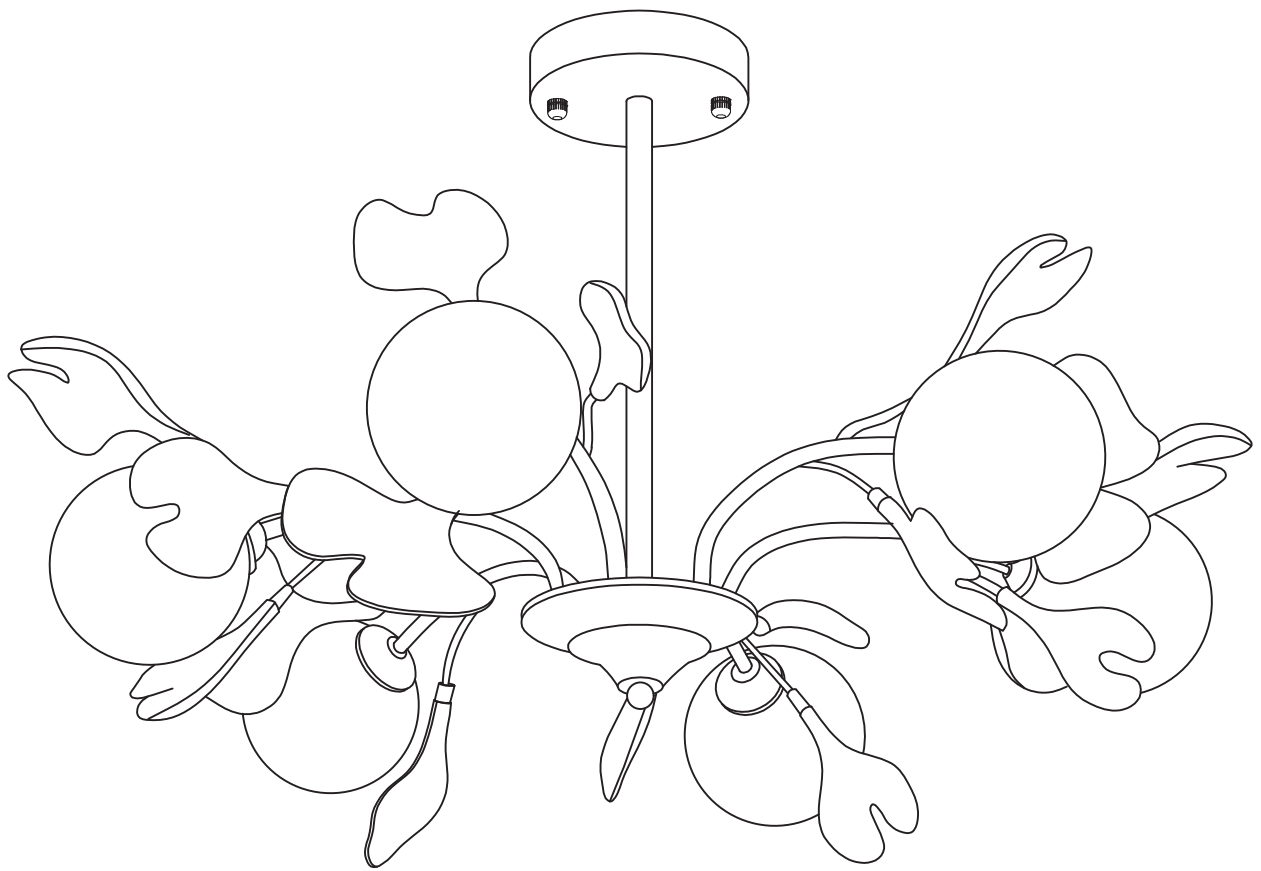
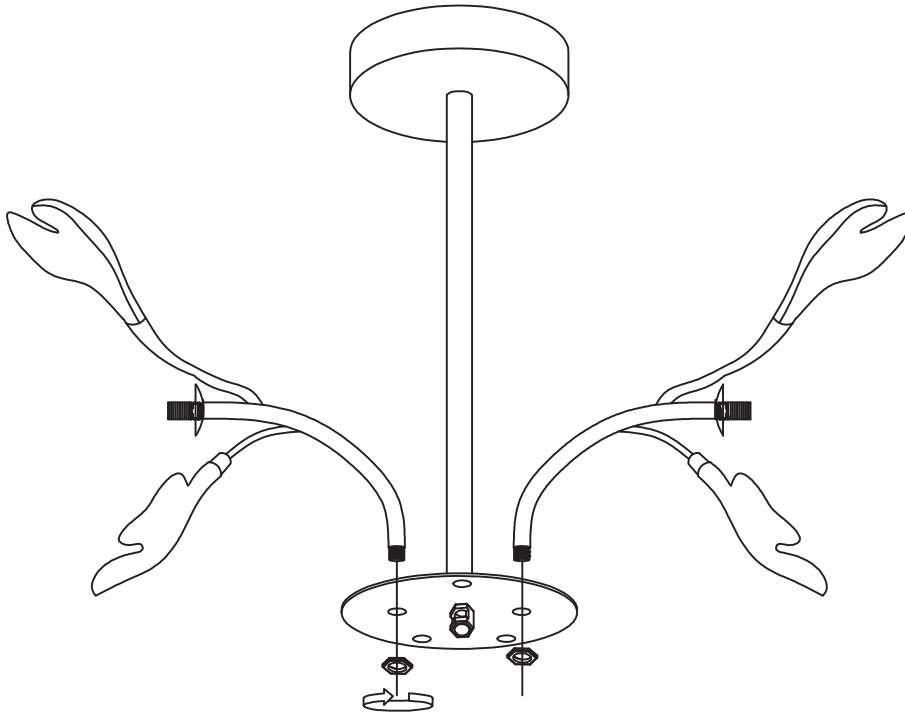


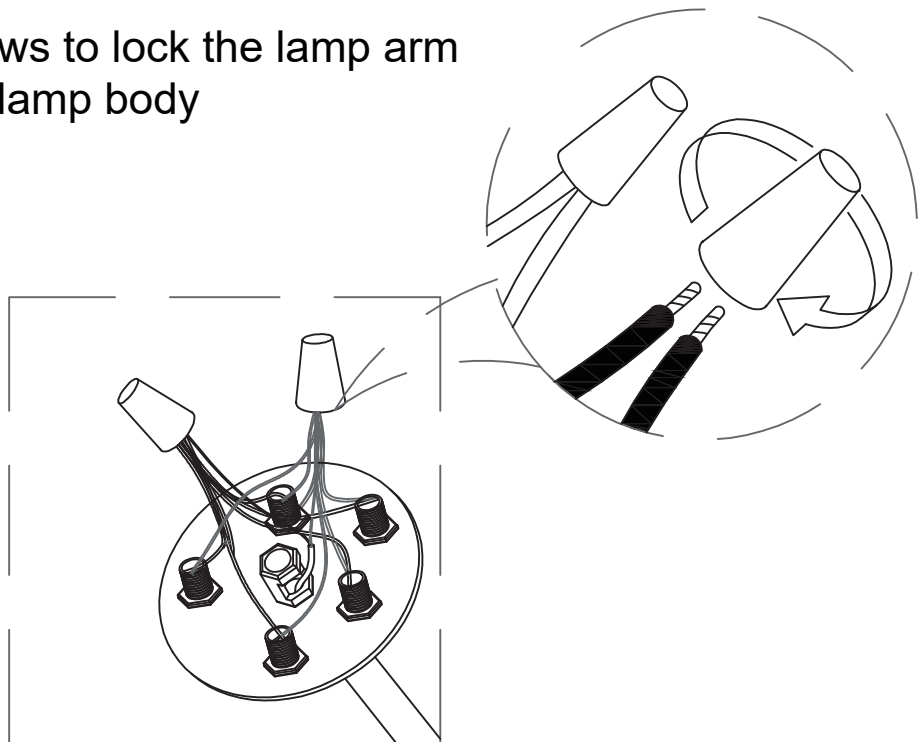
Assembly Instructions



1

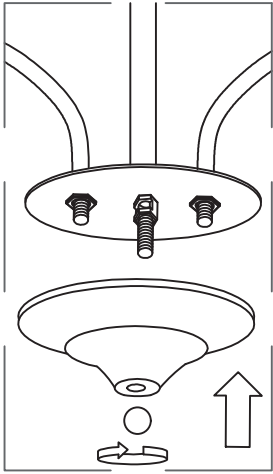


Use screws to lock the lamp arm onto the lamp body

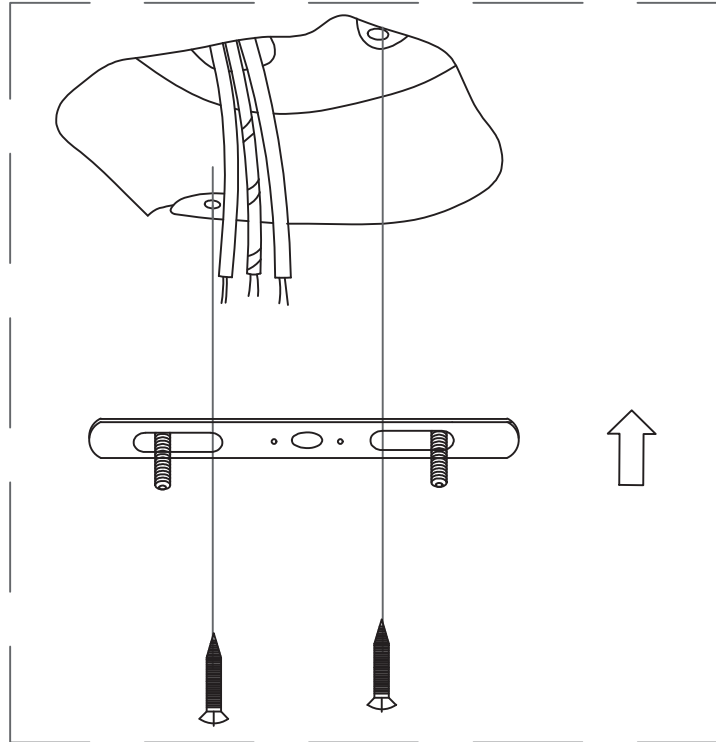


The main line is connected to the wires of the same color

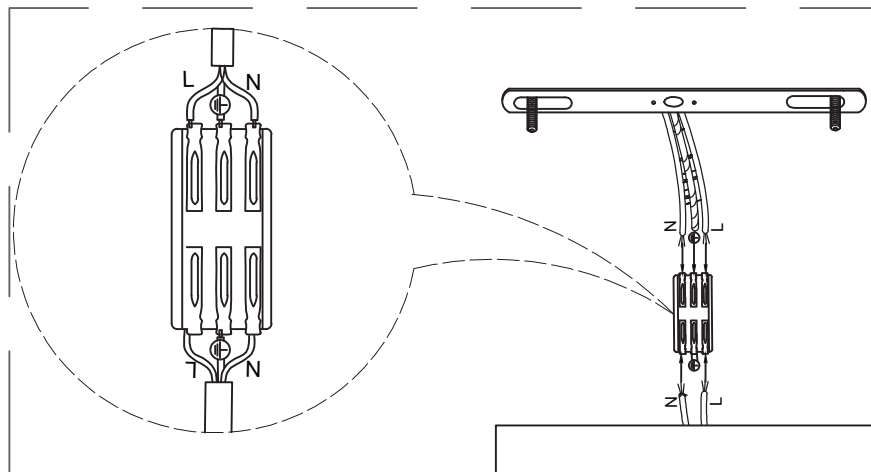
2



Install the base

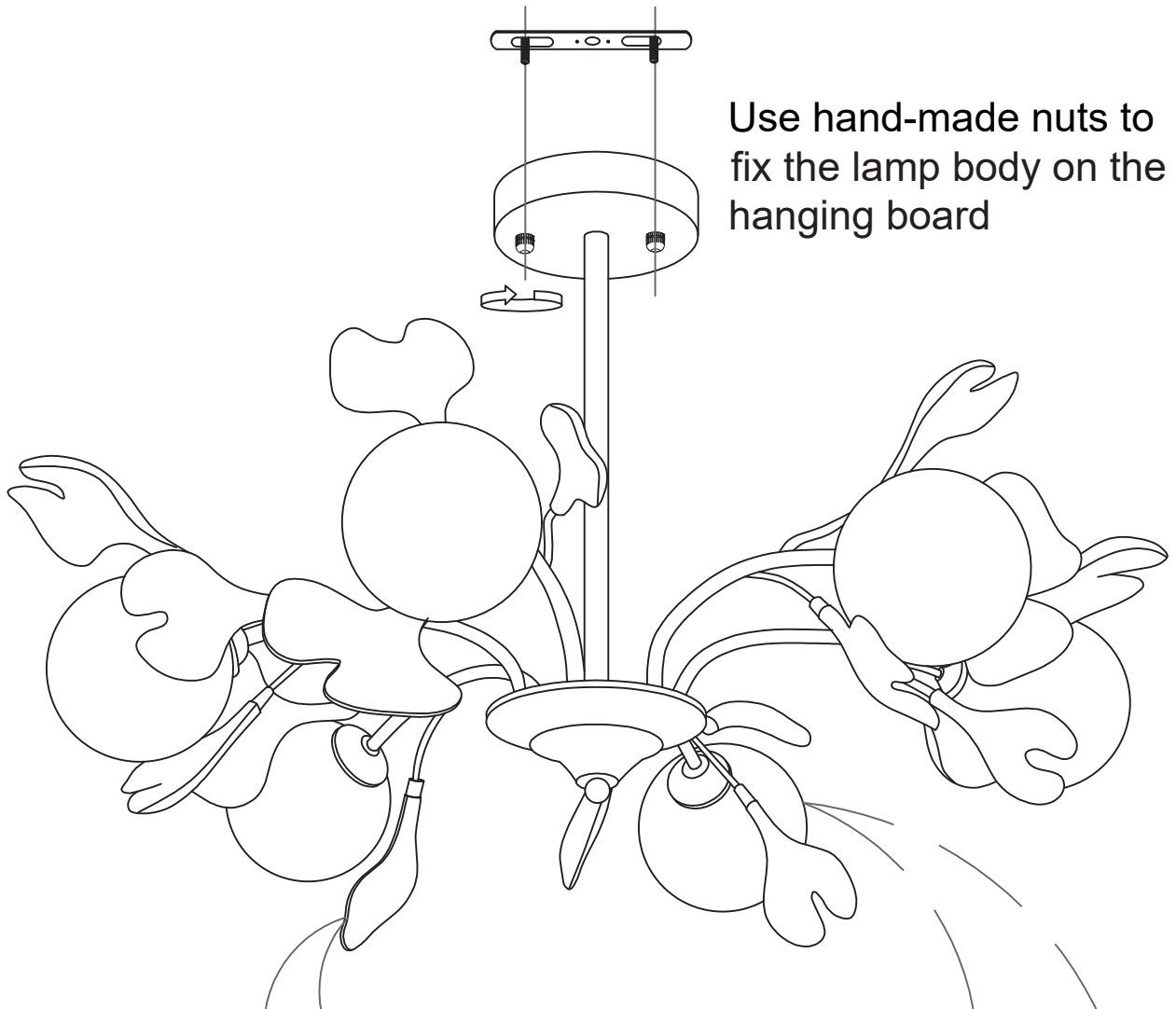


Fasten the hanging board to the ceiling with screws



The wires in the home are connected to the wires in the lamps through the wire terminals

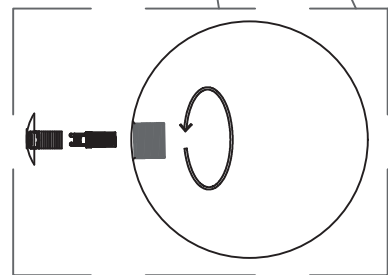
3



Use hand-made nuts to fix the lamp body on the hanging board



Fix the ceramic leaf with Jimi screws



Installing light source and lampshade