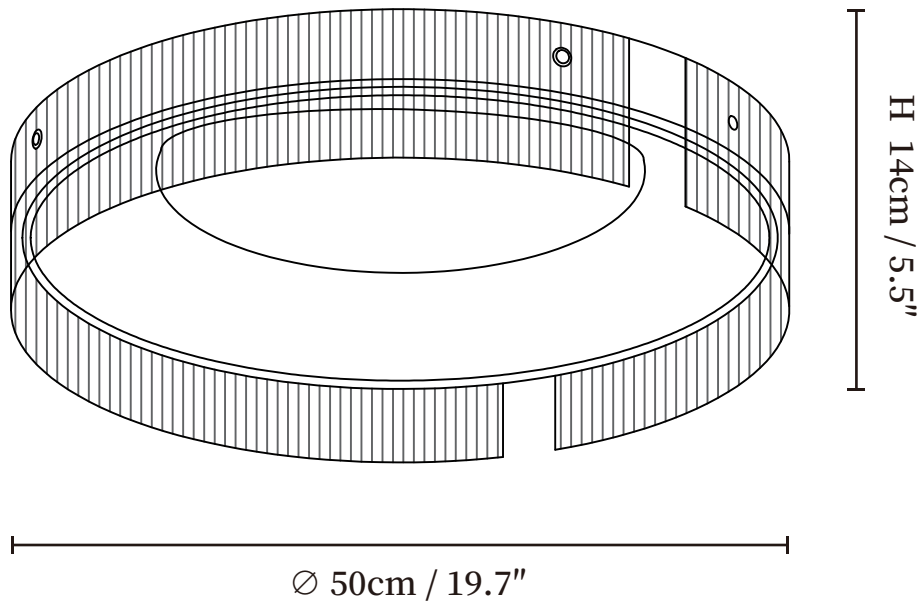


SPECIFICATION SHEET

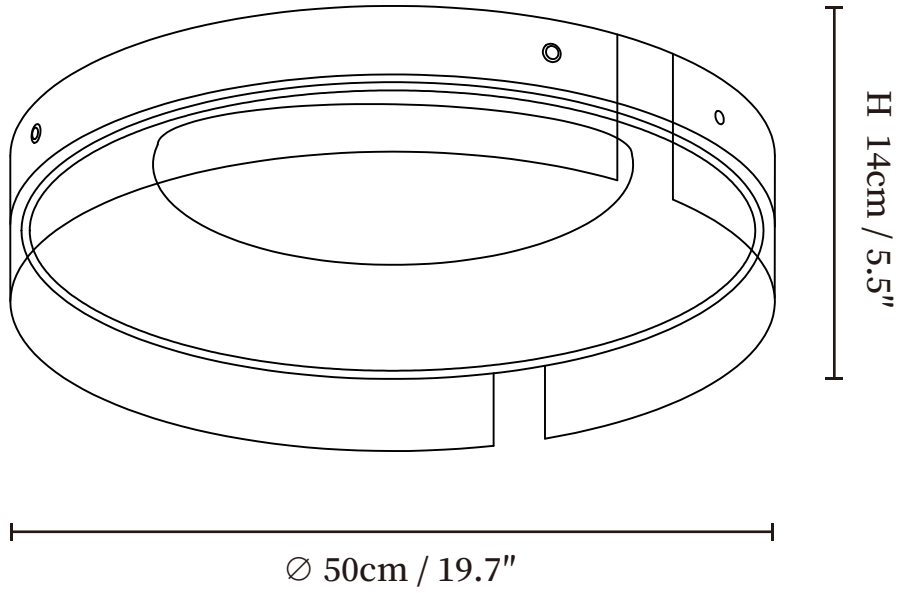


SPECIFICATION DETAILS

*For custom options, consult factory for details

Fixture Dimensions	Ø 19.7" x H 5.5"
Light source	Integrated LED
Wattage	~15W
Voltage	AC 110-240V
Dimming	Not supported
CRI(Ra)	90+CRI
Mounting	Hardwired.
LED Rated Life	30000 hours
Color Temperature	Warm Light (3000K), Neutral Light (4000K), Cool Light (6000K)
Control method	Compatible with common wall switches (not included)
Finishes	Brass, Black
Shade Details	Clear
Material	Brass, PVC, Acrylic

SPECIFICATION SHEET

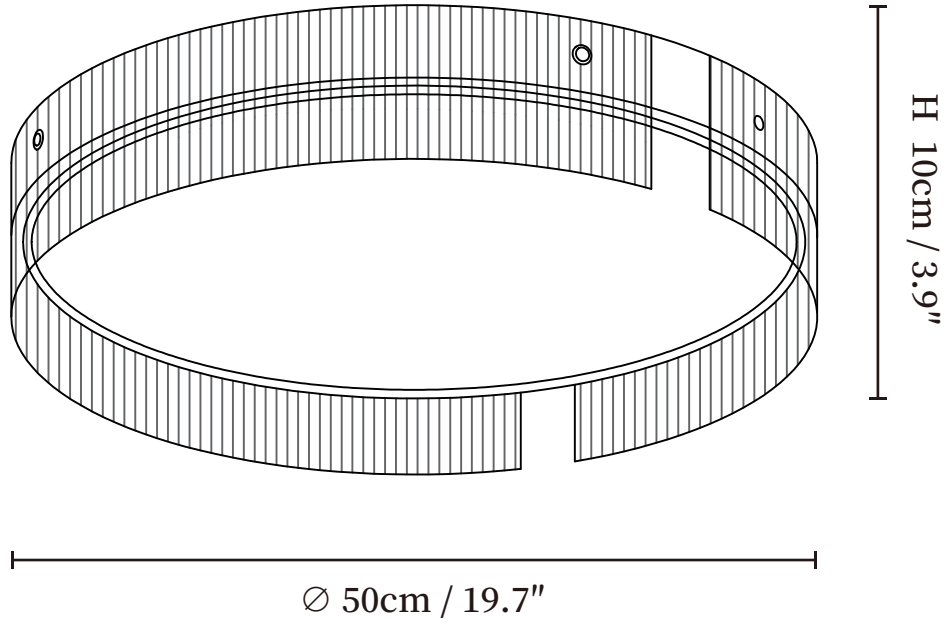


SPECIFICATION DETAILS

*For custom options, consult factory for details

Fixture Dimensions	∅ 19.7" x H 5.5"
Light source	Integrated LED
Wattage	~15W
Voltage	AC 110-240V
Dimming	Not supported
CRI(Ra)	90+CRI
Mounting	Hardwired.
LED Rated Life	30000 hours
Color Temperature	Warm Light (3000K), Neutral Light (4000K), Cool Light (6000K)
Control method	Compatible with common wall switches(not included)
Finishes	Brass, Black
Shade Details	Clear
Material	Brass, PVC, Acrylic

SPECIFICATION SHEET

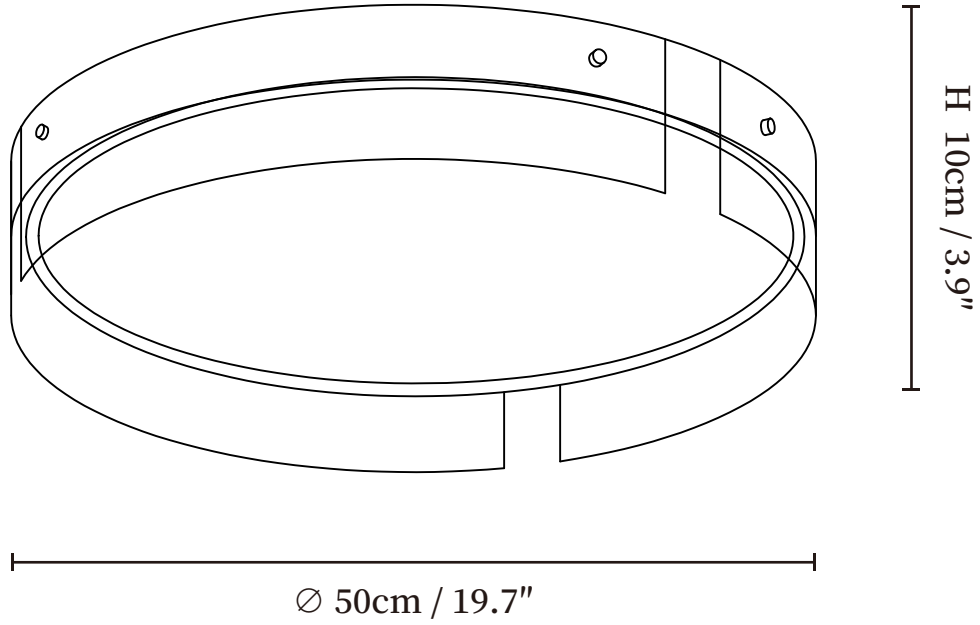


SPECIFICATION DETAILS

*For custom options, consult factory for details

Fixture Dimensions	Ø 19.7" x H 3.9"
Light source	Integrated LED
Wattage	~15W
Voltage	AC 110-240V
Dimming	Not supported
CRI(Ra)	90+CRI
Mounting	Hardwired.
LED Rated Life	30000 hours
Color Temperature	Warm Light (3000K), Neutral Light (4000K), Cool Light (6000K)
Control method	Compatible with common wall switches(not included)
Finishes	Brass, Black
Shade Details	Clear
Material	Brass, PVC, Acrylic

SPECIFICATION SHEET



SPECIFICATION DETAILS

*For custom options, consult factory for details

Fixture Dimensions	Ø 19.7" x H 3.9"
Light source	Integrated LED
Wattage	~15W
Voltage	AC 110-240V
Dimming	Not supported
CRI(Ra)	90+CRI
Mounting	Hardwired.
LED Rated Life	30000 hours
Color Temperature	Warm Light (3000K), Neutral Light (4000K), Cool Light (6000K)
Control method	Compatible with common wall switches(not included)
Finishes	Brass, Black
Shade Details	Clear
Material	Brass, PVC, Acrylic