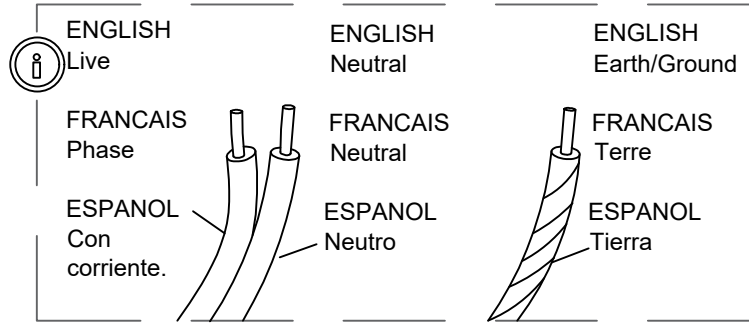
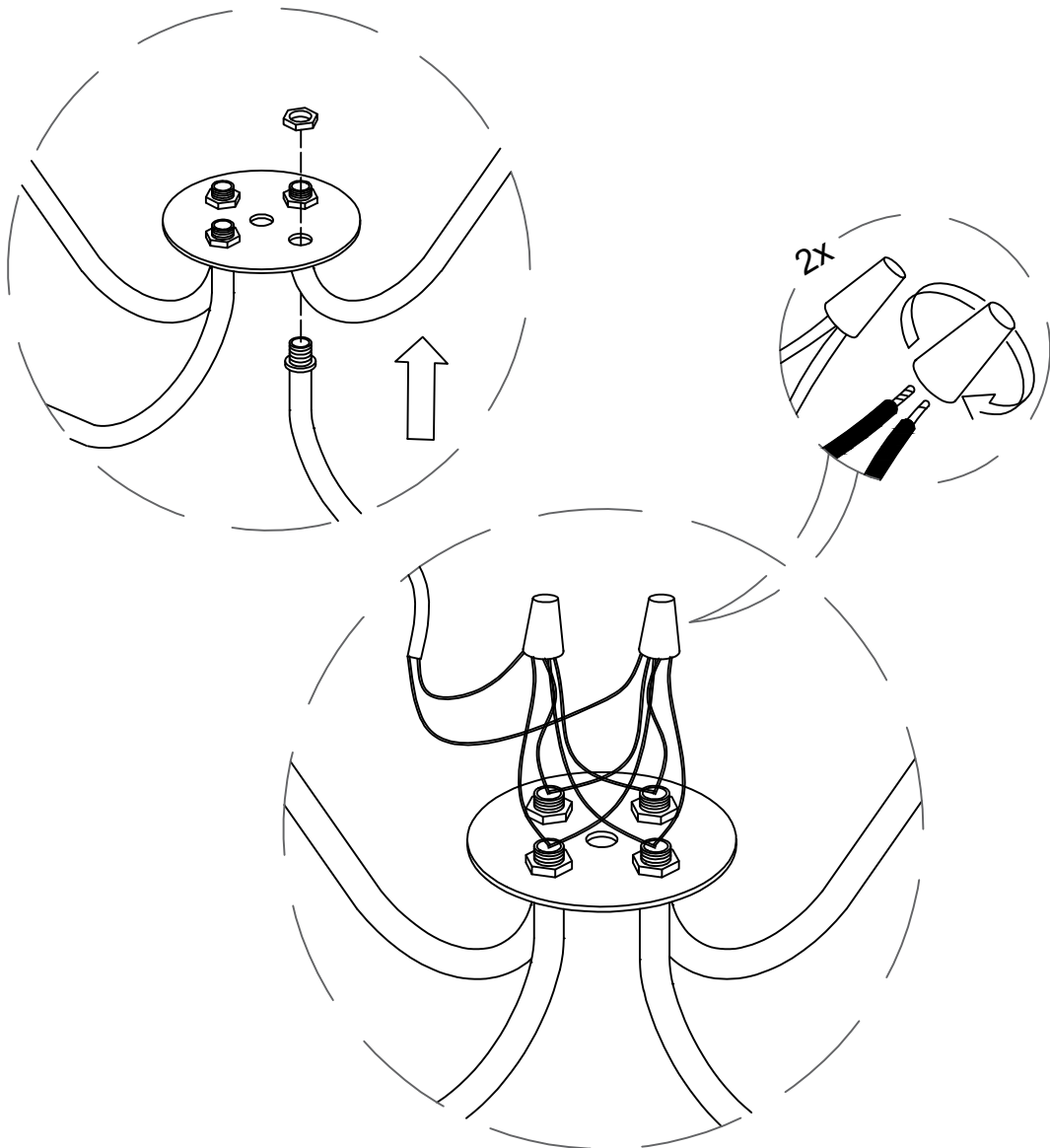


1

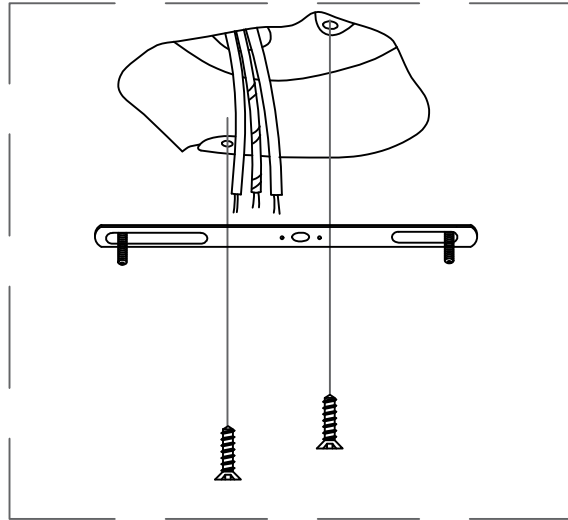


Use screws to lock the lamp arm onto the lamp body

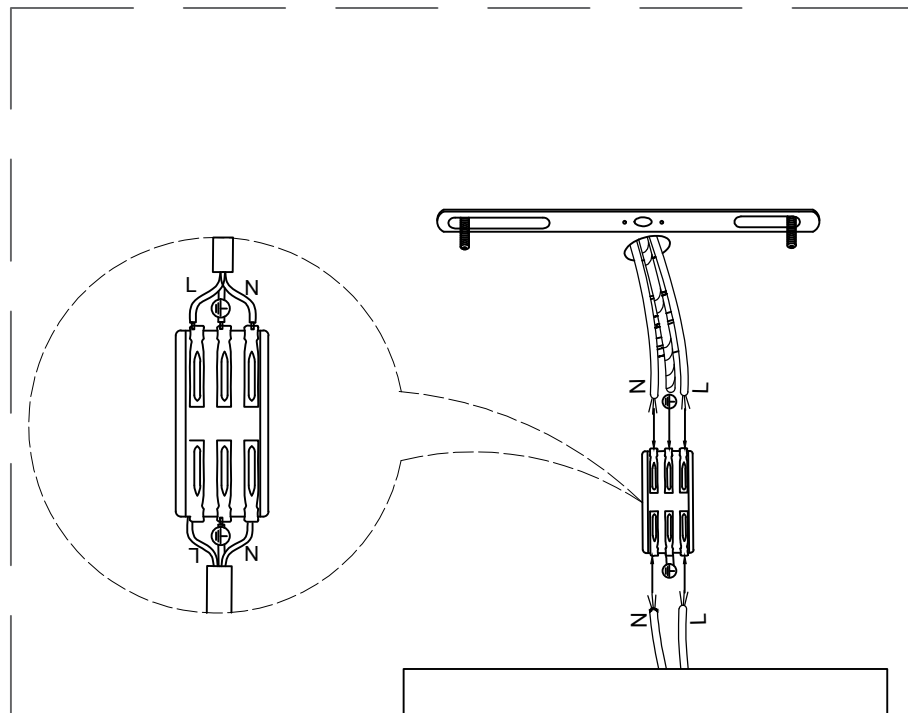


The main line is connected to the wires of the same color

2



Fasten the hanging board to the ceiling with screws



The wires in the home are connected to the wires in the lamps through the wire terminals

3

