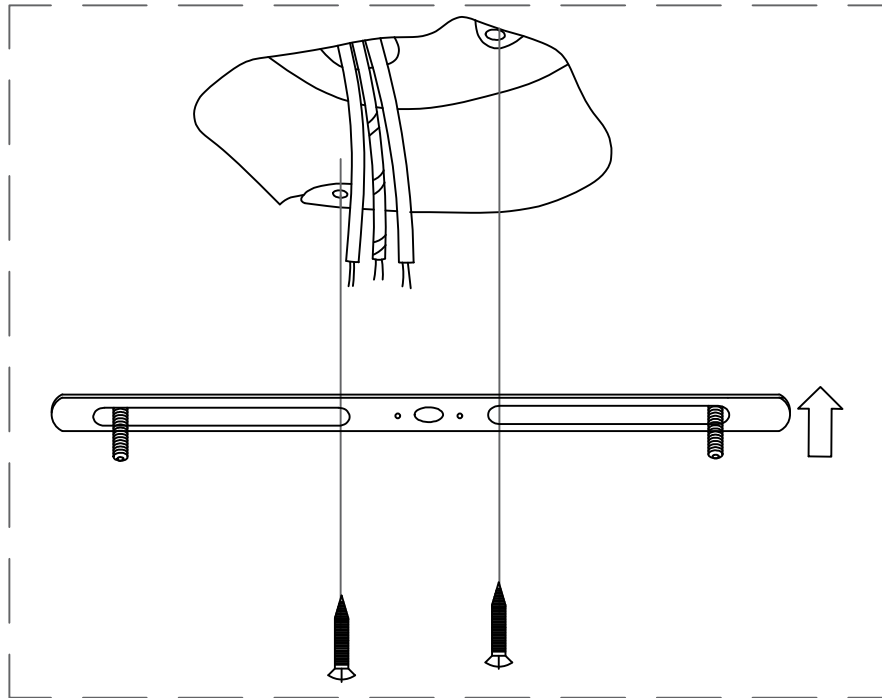
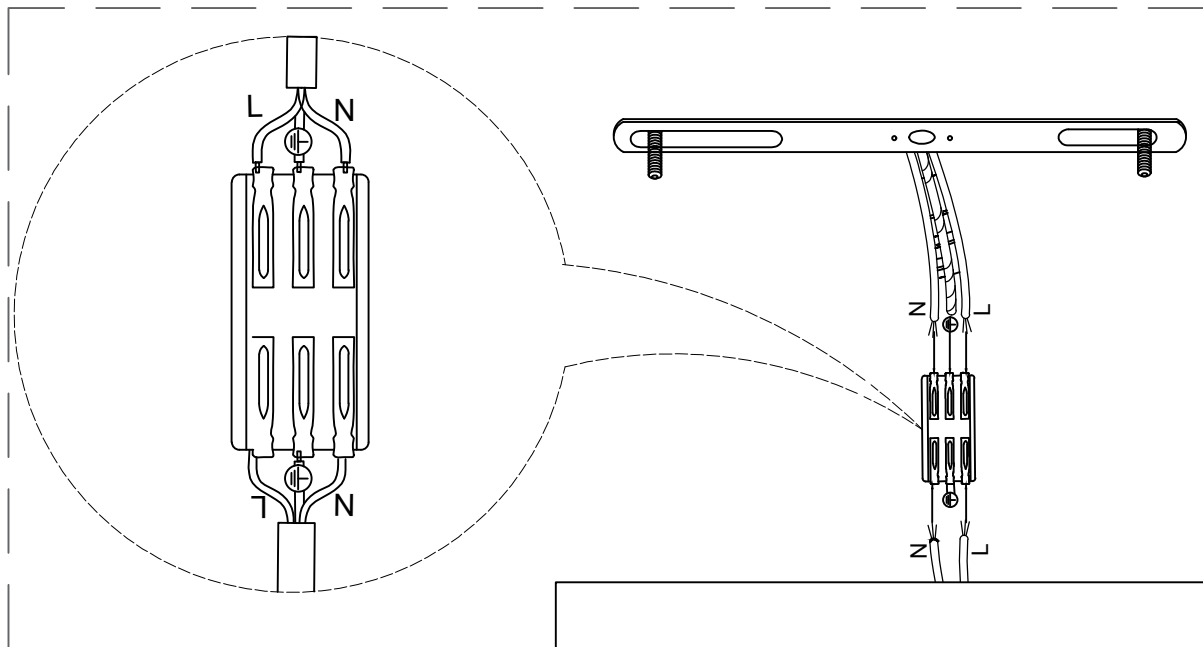


# 1



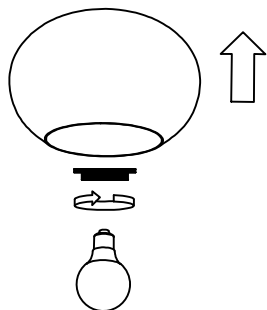
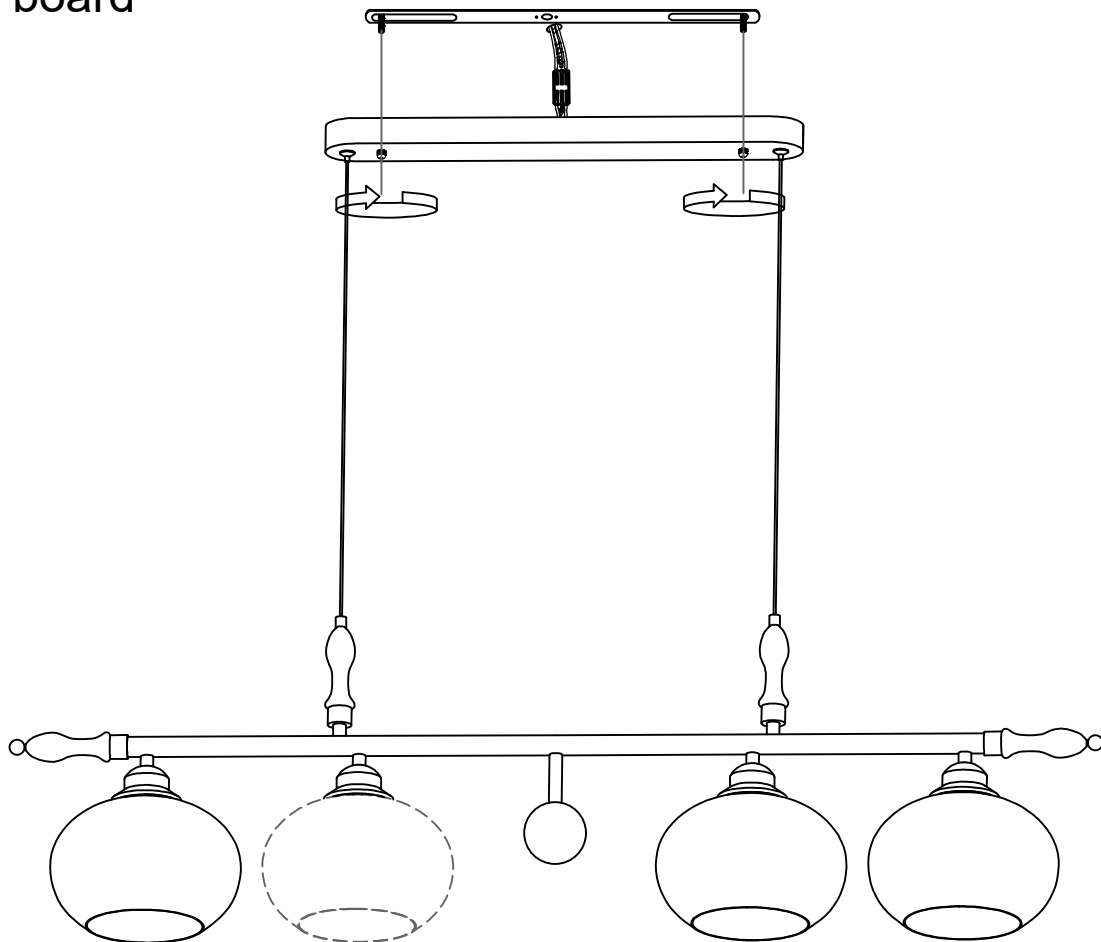
Fasten the hanging board to the ceiling with screws



The wires in the home are connected to the wires in the lamps through the wire terminals

# 2

Use hand-made nuts to fix the lamp body on the hanging board



Installing light source and lampshade