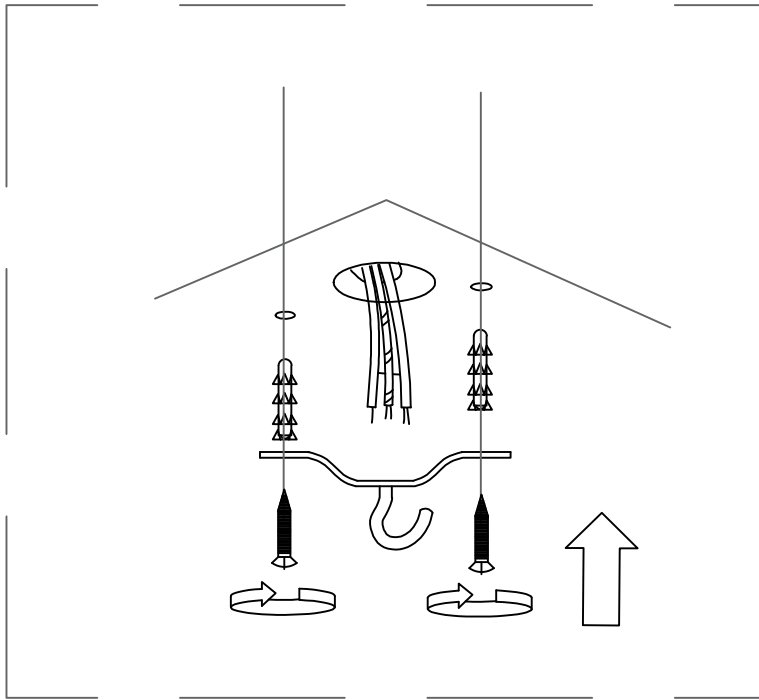
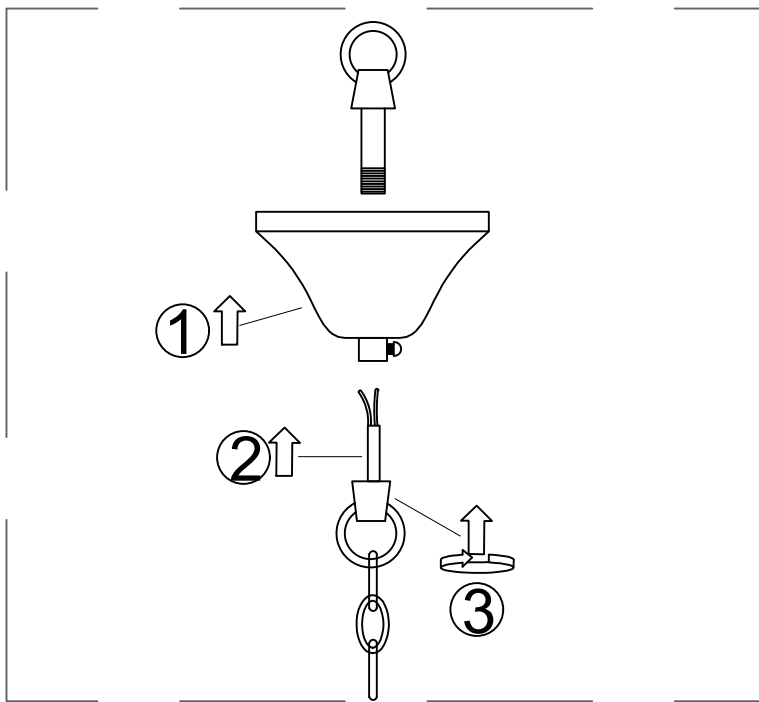


1



Fasten the hanging board to the ceiling with screws

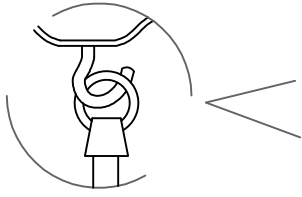


Fix the hanging chain on the lamp body, and pass the main wire along the hanging chain into the ceiling plate

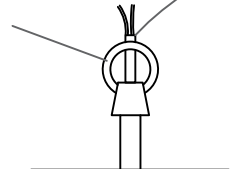
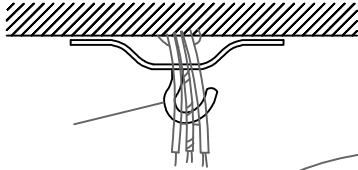
2

② The wires in the home are connected to the wires in the lamps through the wire terminals

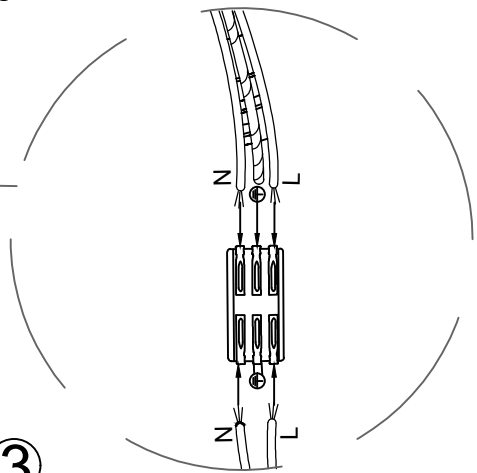
①



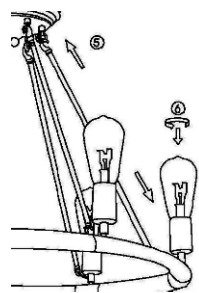
Hook first



③



⑤



⑥

