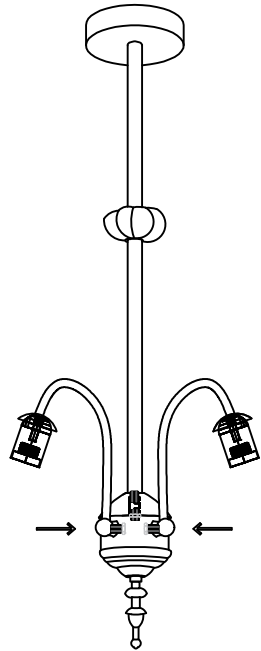


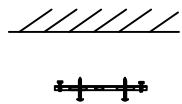
1



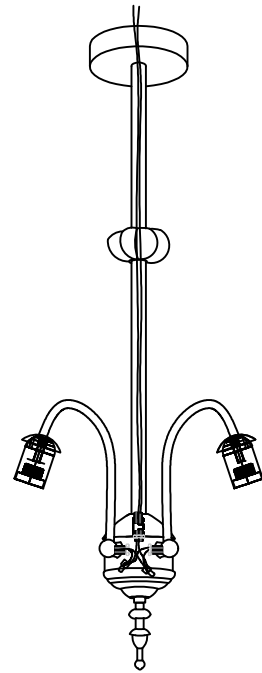
Mounting lamp body: the lamp arm is connected to the center post by screws

3

The hanging plate is installed on the ceiling first, and the lamp is installed on the hanging plate

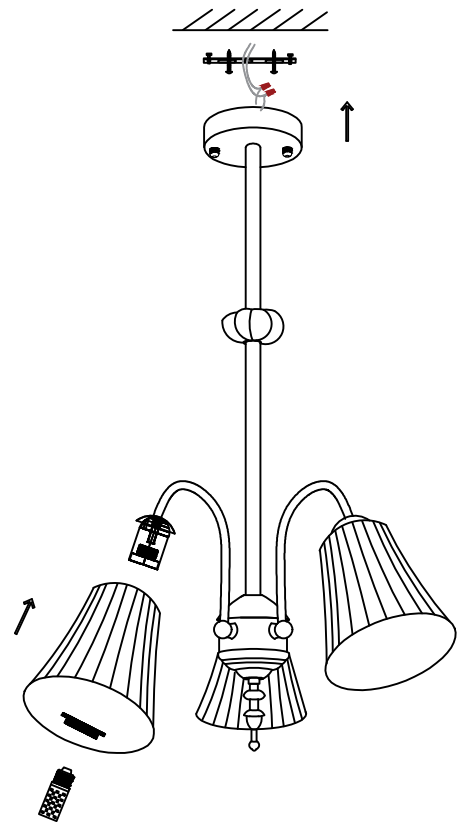


2



The lamp arm wire is connected to the main line

4



Install light bulbs and lampshades