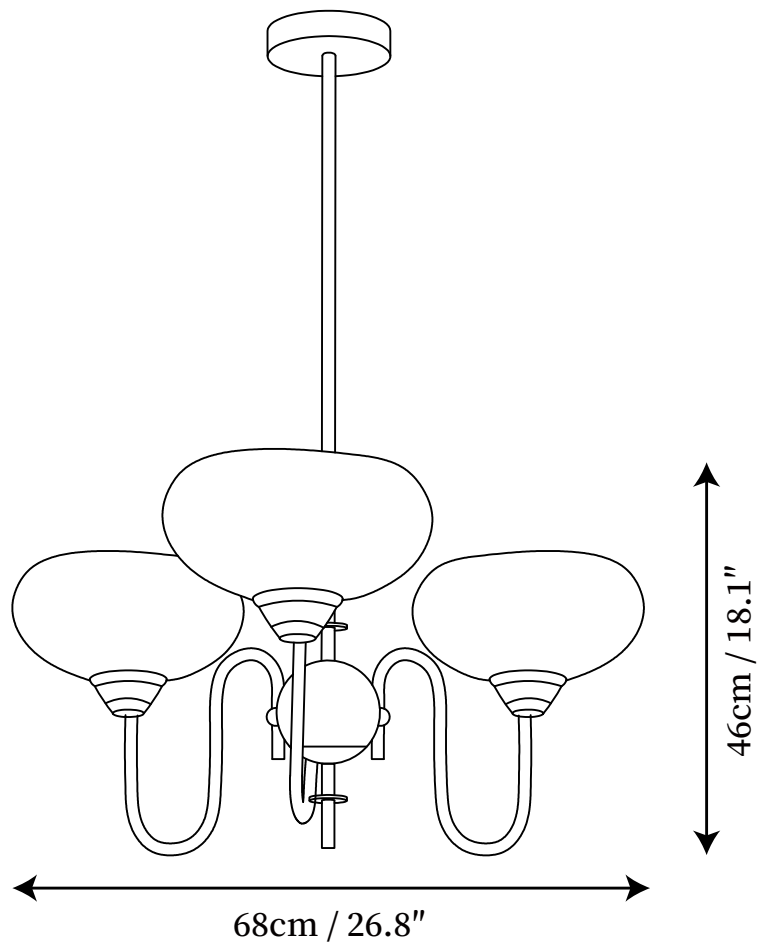


# SPECIFICATION SHEET

---



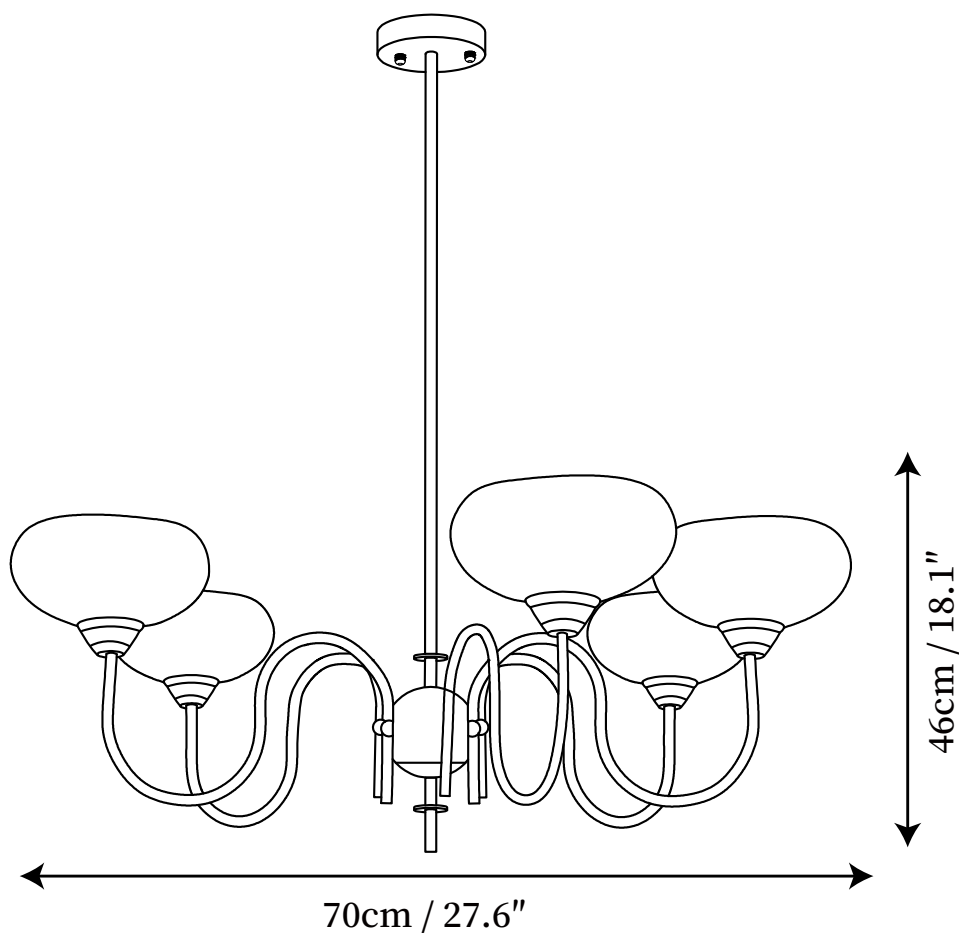
## SPECIFICATION DETAILS

\*For custom options, consult factory for details

<b>Fixture Dimensions</b>	D 26.8" x H 18.1" (3 heads)
<b>Light source</b>	E26 or E27. (bulb not included)
<b>Wattage</b>	MAX 40W incandescent bulb or LED equivalent.
<b>Voltage</b>	AC 110-240V
<b>Mounting</b>	Hardwired.
<b>Dimming</b>	Compatible with dimmable bulbs (bulb not included)
<b>Control method</b>	Compatible with common wall switches (not included)
<b>Finishes</b>	Gold, Chrome.
<b>Shade Details</b>	Milk white, Creamy yellow
<b>Material</b>	Metal, Glass.
<b>Rod Length</b>	Suspension rod length 20cm+30cm / 7.9"+11.8", and can be spliced as needed.

# SPECIFICATION SHEET

---



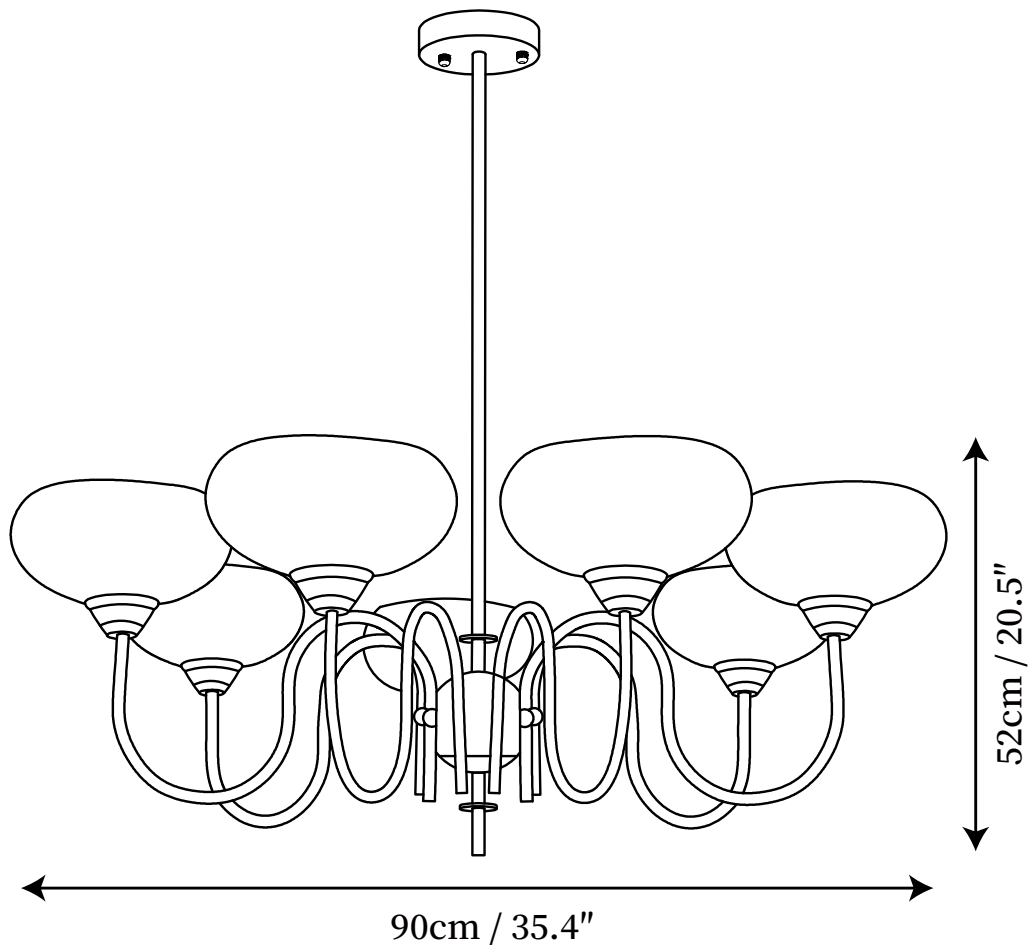
## SPECIFICATION DETAILS

\*For custom options, consult factory for details

<b>Fixture Dimensions</b>	D 27.6" x H 18.1" (5 heads)
<b>Light source</b>	E26 or E27. (bulb not included)
<b>Wattage</b>	MAX 40W incandescent bulb or LED equivalent.
<b>Voltage</b>	AC 110-240V
<b>Mounting</b>	Hardwired.
<b>Dimming</b>	Compatible with dimmable bulbs (bulb not included)
<b>Control method</b>	Compatible with common wall switches(not included)
<b>Finishes</b>	Gold, Chrome.
<b>Shade Details</b>	Milk white, Creamy yellow
<b>Material</b>	Metal, Glass.
<b>Rod Length</b>	Suspension rod length 20cm+30cm / 7.9"+11.8", and can be spliced as needed.

# SPECIFICATION SHEET

---



## SPECIFICATION DETAILS

\*For custom options, consult factory for details

<b>Fixture Dimensions</b>	D 35.4" x H 20.5" (7 heads)
<b>Light source</b>	E26 or E27. (bulb not included)
<b>Wattage</b>	MAX 40W incandescent bulb or LED equivalent.
<b>Voltage</b>	AC 110-240V
<b>Mounting</b>	Hardwired.
<b>Dimming</b>	Compatible with dimmable bulbs (bulb not included)
<b>Control method</b>	Compatible with common wall switches(not included)
<b>Finishes</b>	Gold, Chrome.
<b>Shade Details</b>	Milk white, Creamy yellow
<b>Material</b>	Metal, Glass.
<b>Rod Length</b>	Suspension rod length 20cm+30cm / 7.9"+11.8", and can be spliced as needed.