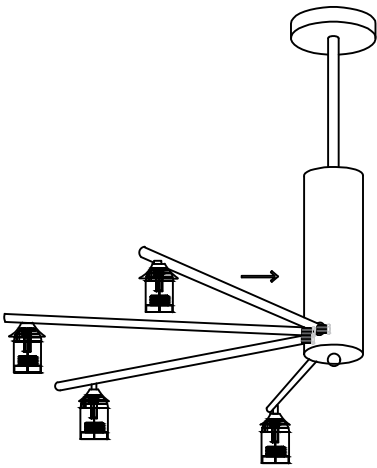
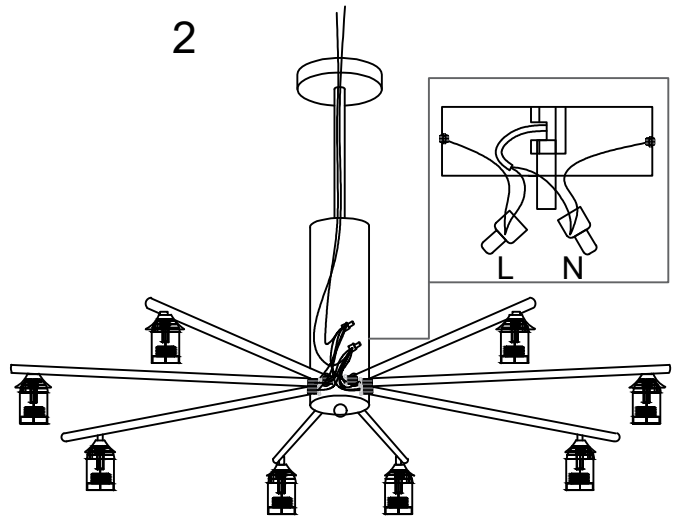


1



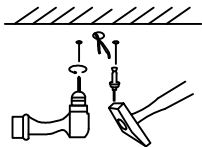
Mounting lamp body: the lamp arm is connected to the center post by screws

2



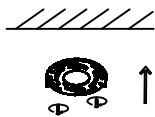
The lamp arm wire is connected to the main line, L/N

3



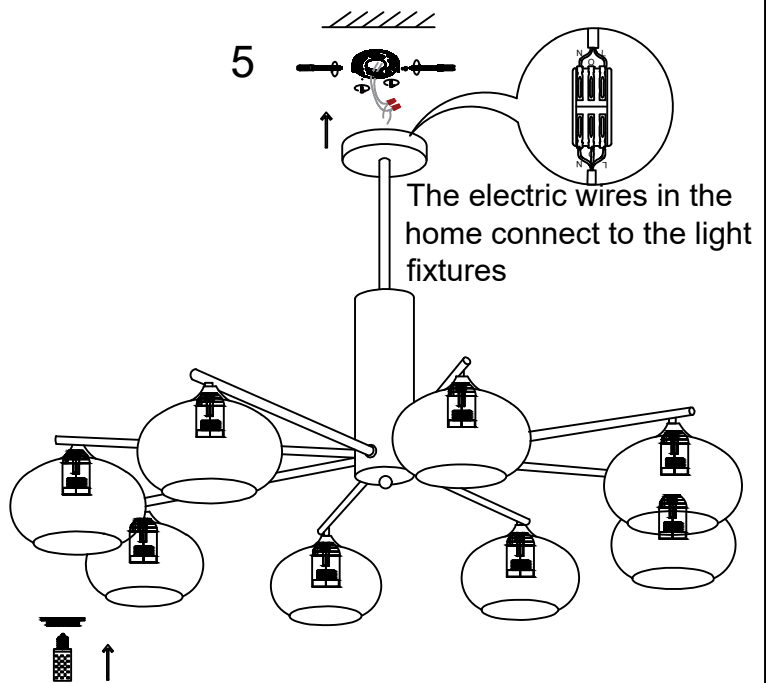
Drill holes in the ceiling and insert expansion screws

4



Install the hanging plate on the ceiling

5



The electric wires in the home connect to the light fixtures

Install light bulb and lampshade