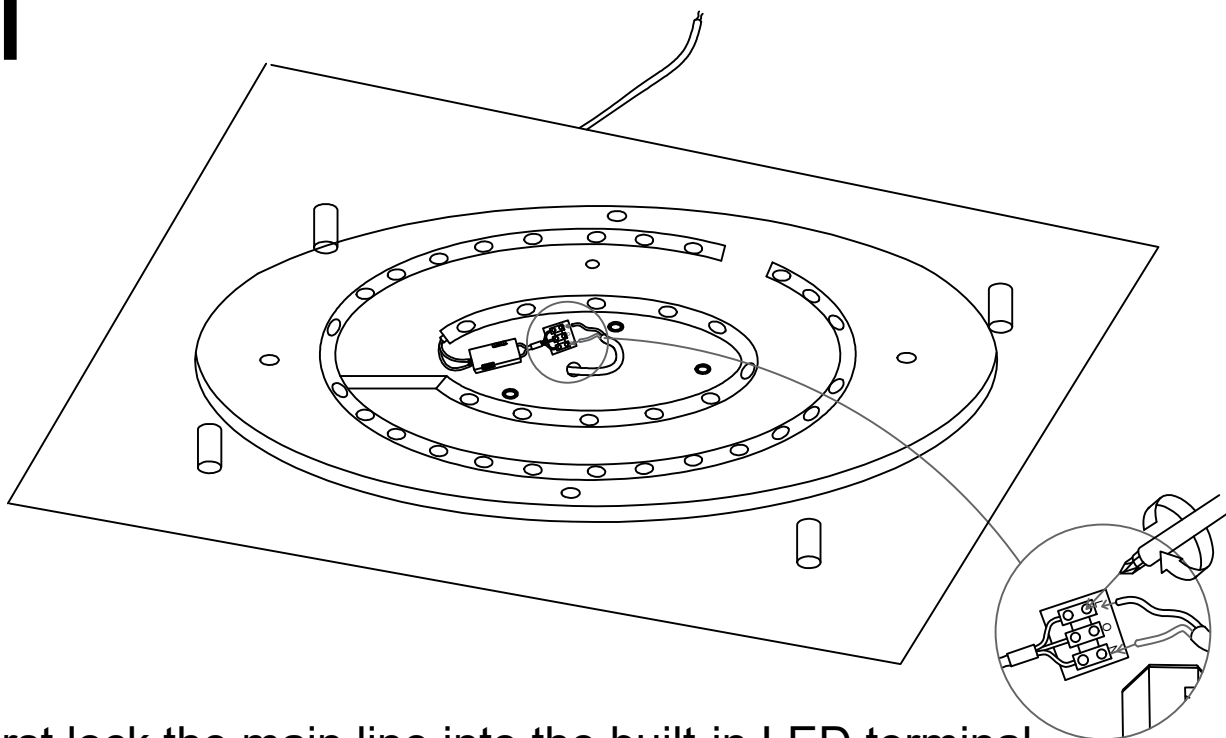
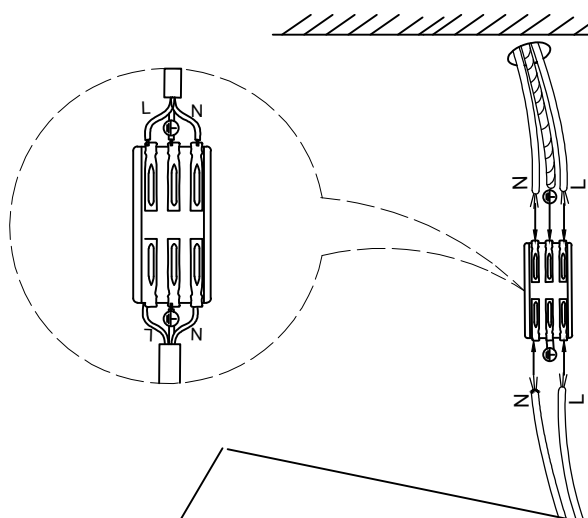


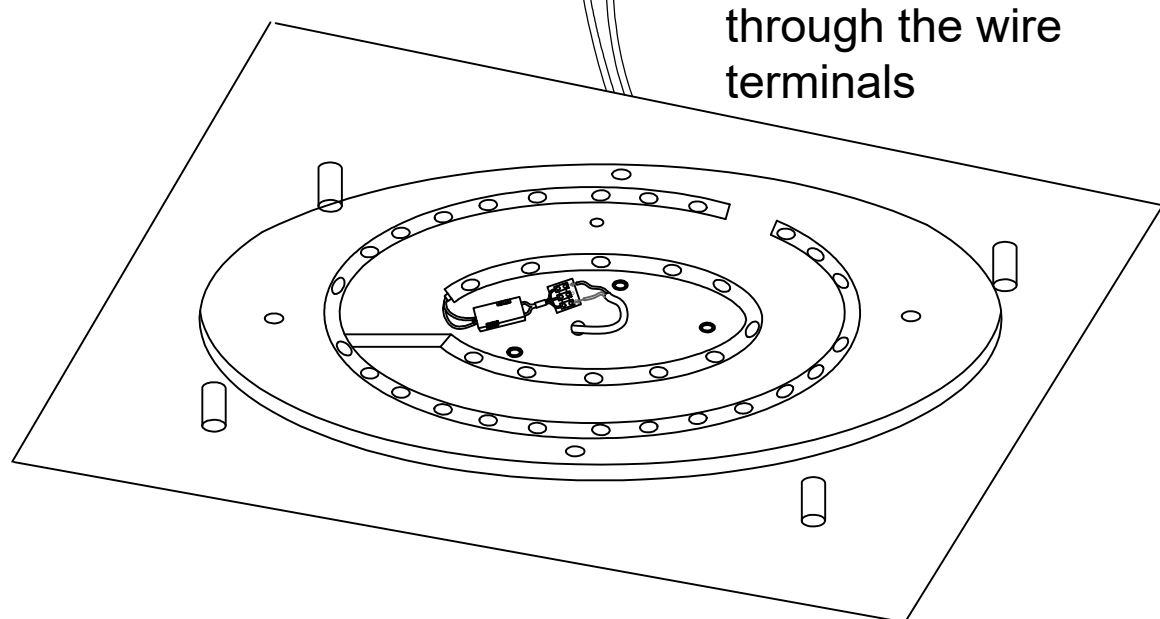
# 1



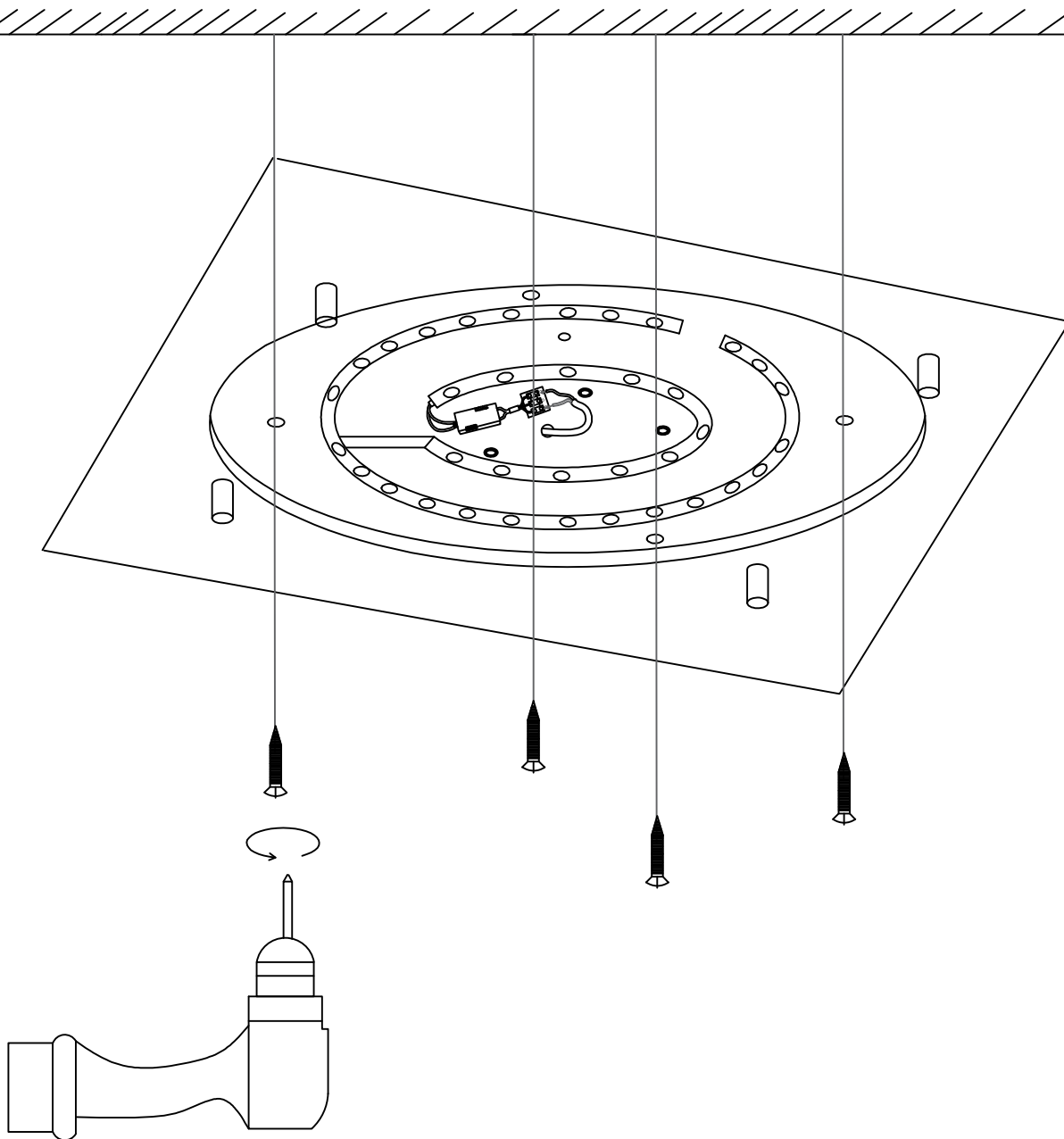
First lock the main line into the built-in LED terminal



The wires in the home are connected to the wires in the lamps through the wire terminals

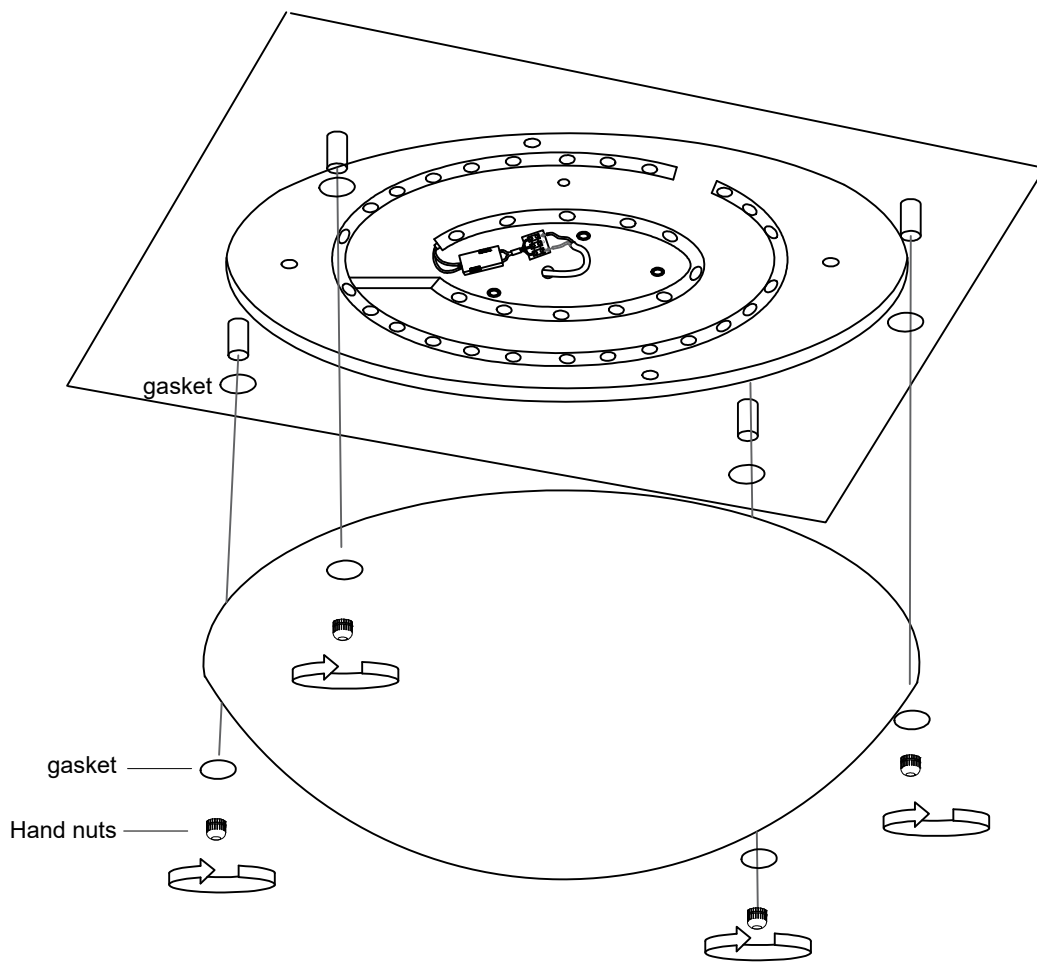


# 2



After the wires are connected, use screws to lock the lamp body to the ceiling.

# 3



Fix the lampshade