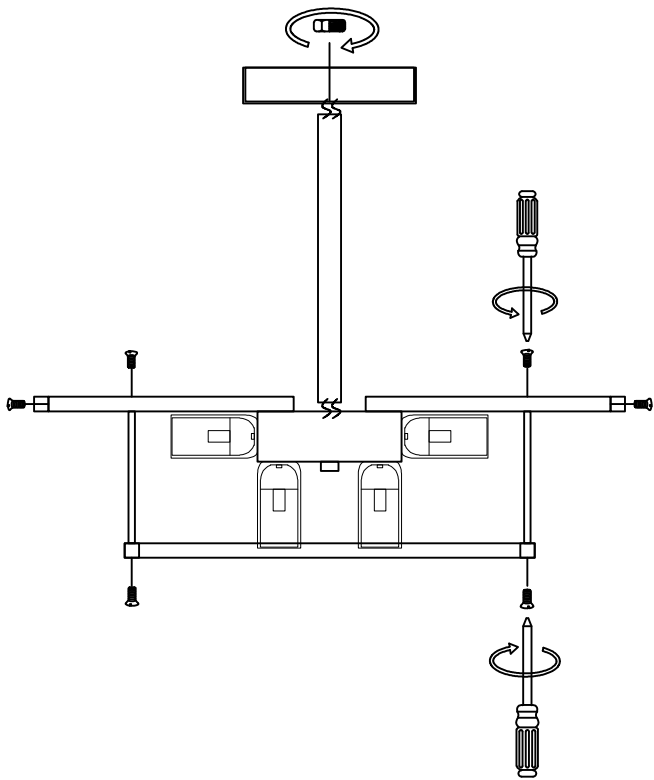


1: Assembly of lamp body

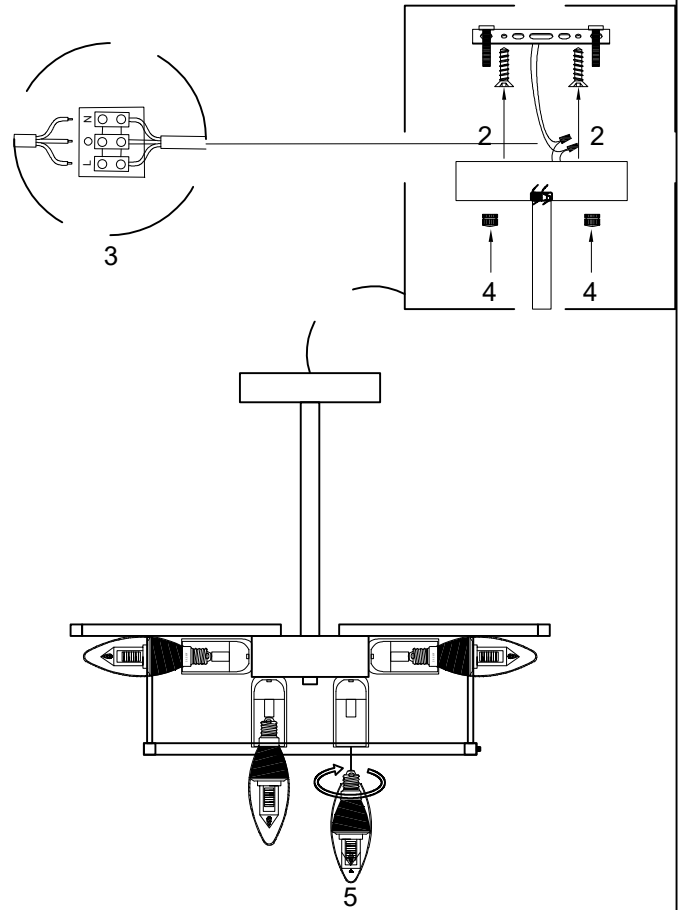


2: Fix the hanging board to the ceiling

3: Connect the lamp wires to the reserved wires

4: Tighten the nut to secure the lamp body

5: Installing bulb



6: Install the lampshade

