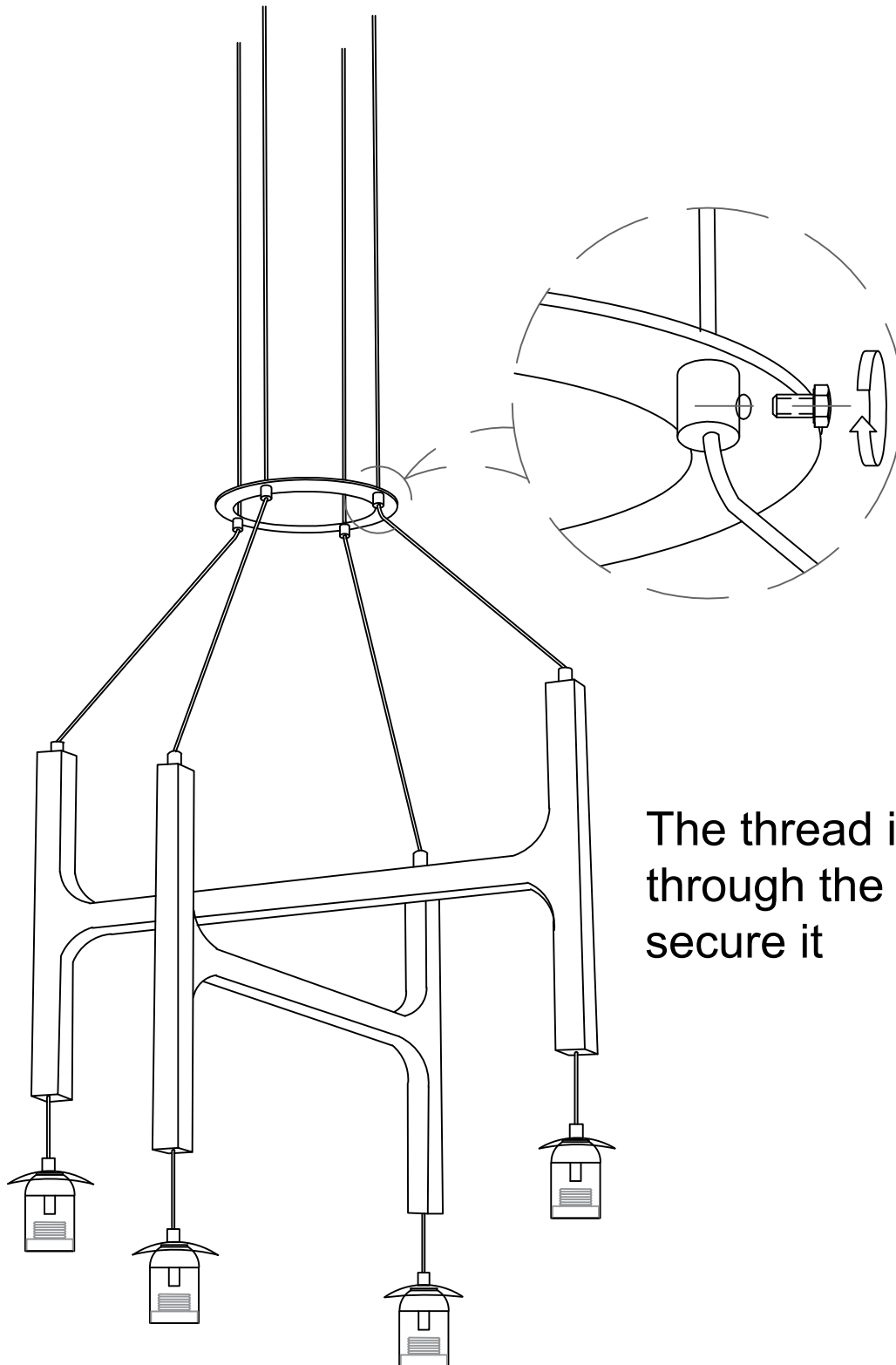
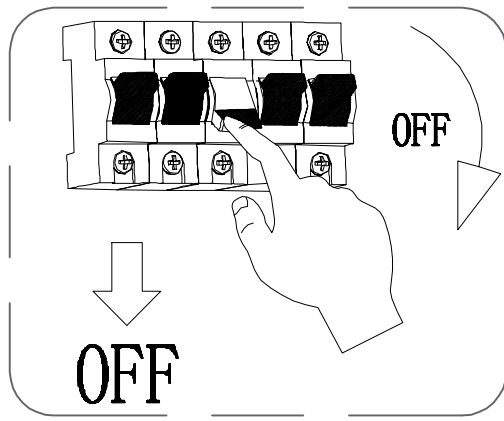
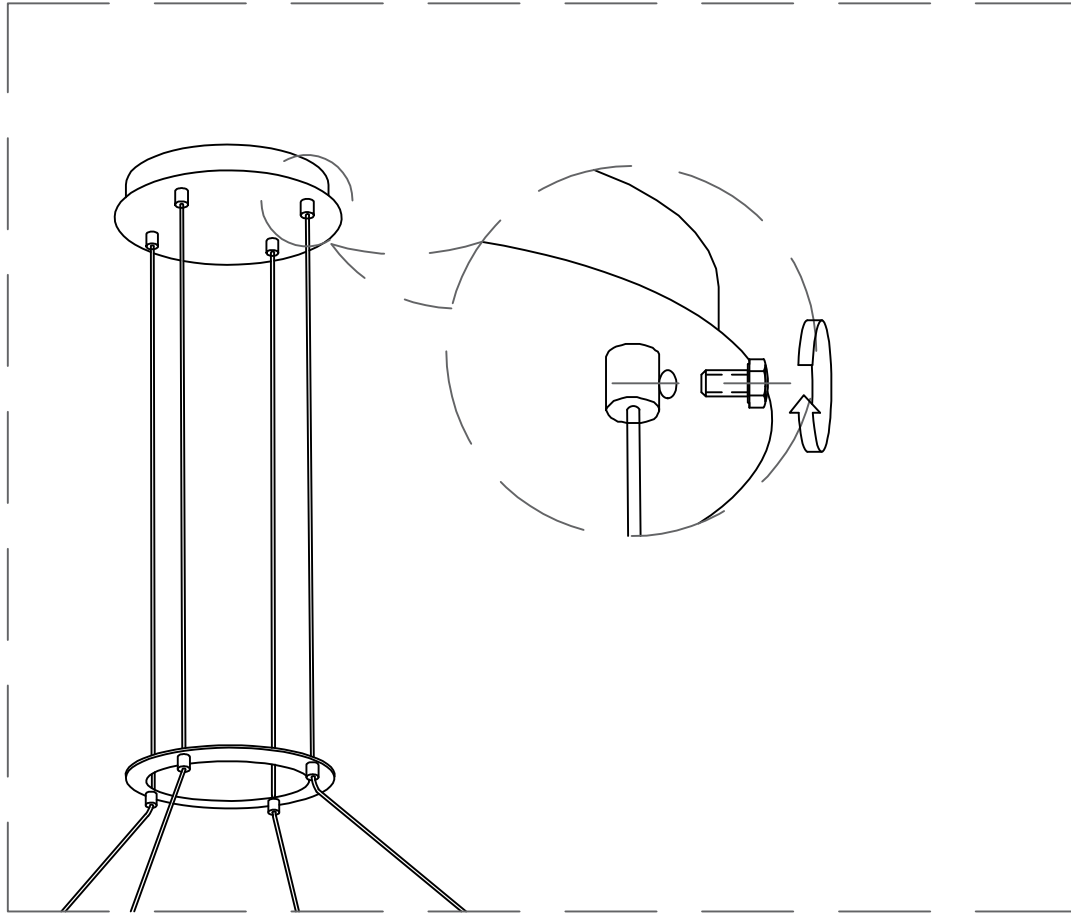


2

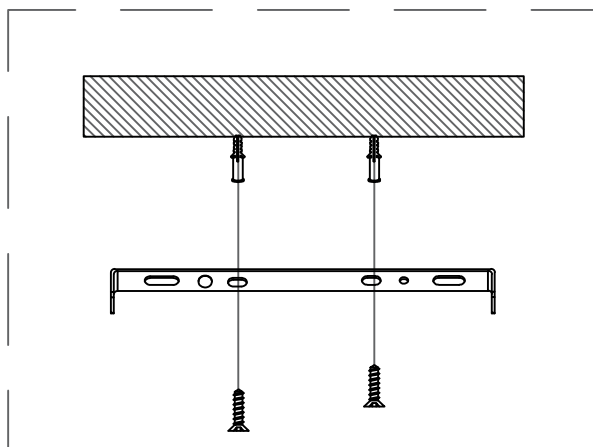


The thread is threaded through the lock wire to secure it

3

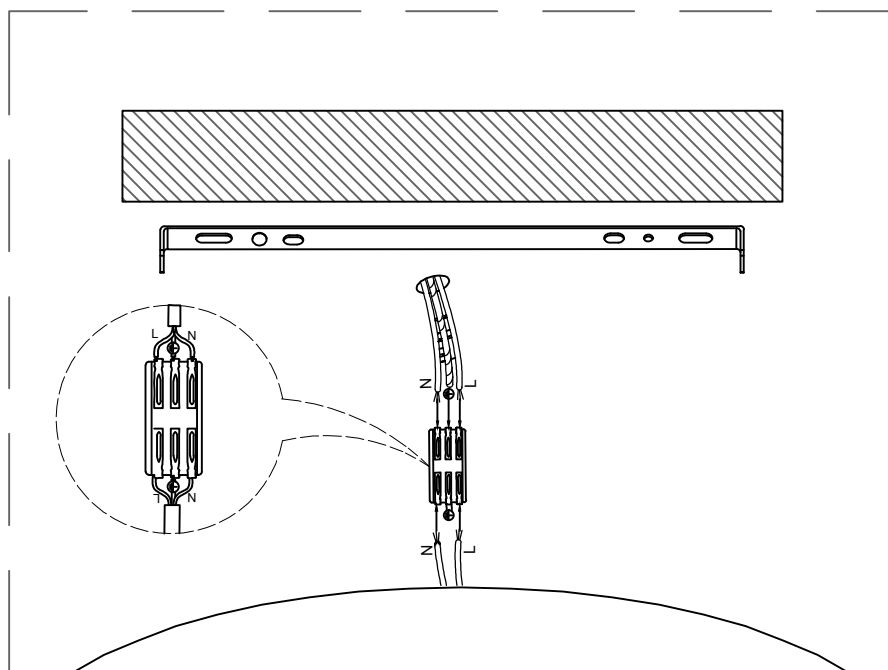


The thread is secured through the locking line under the ceiling disc

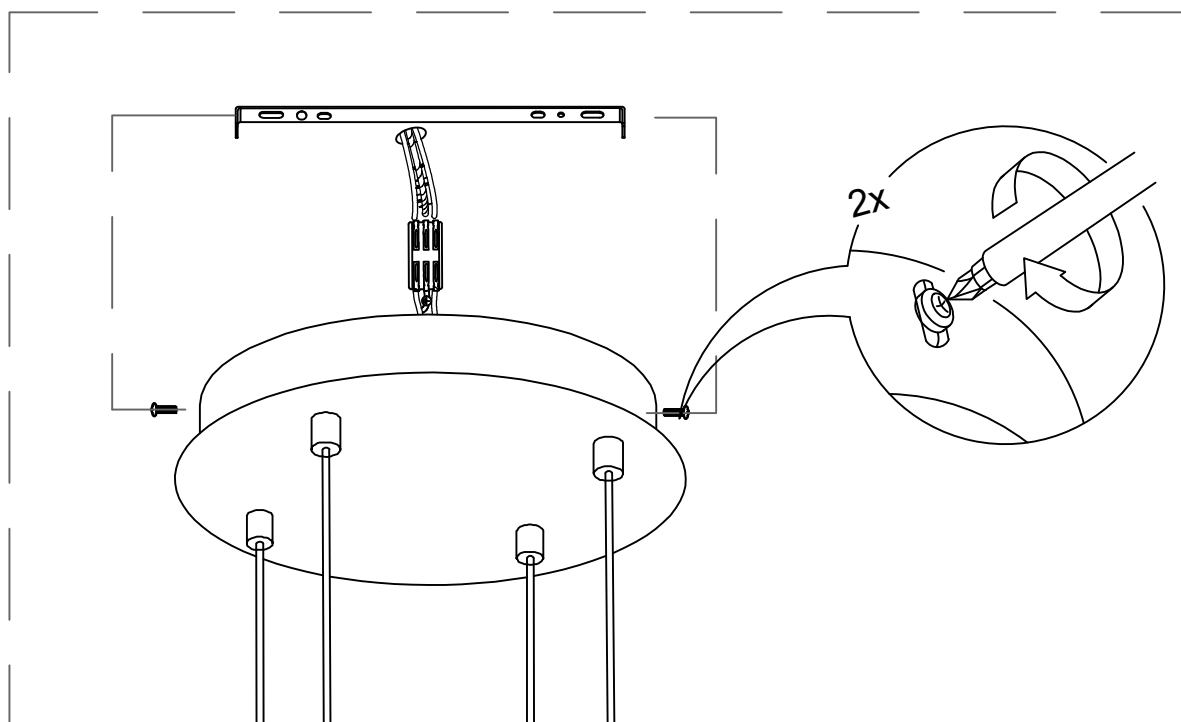


Fasten the hanging board to the ceiling with screws

4

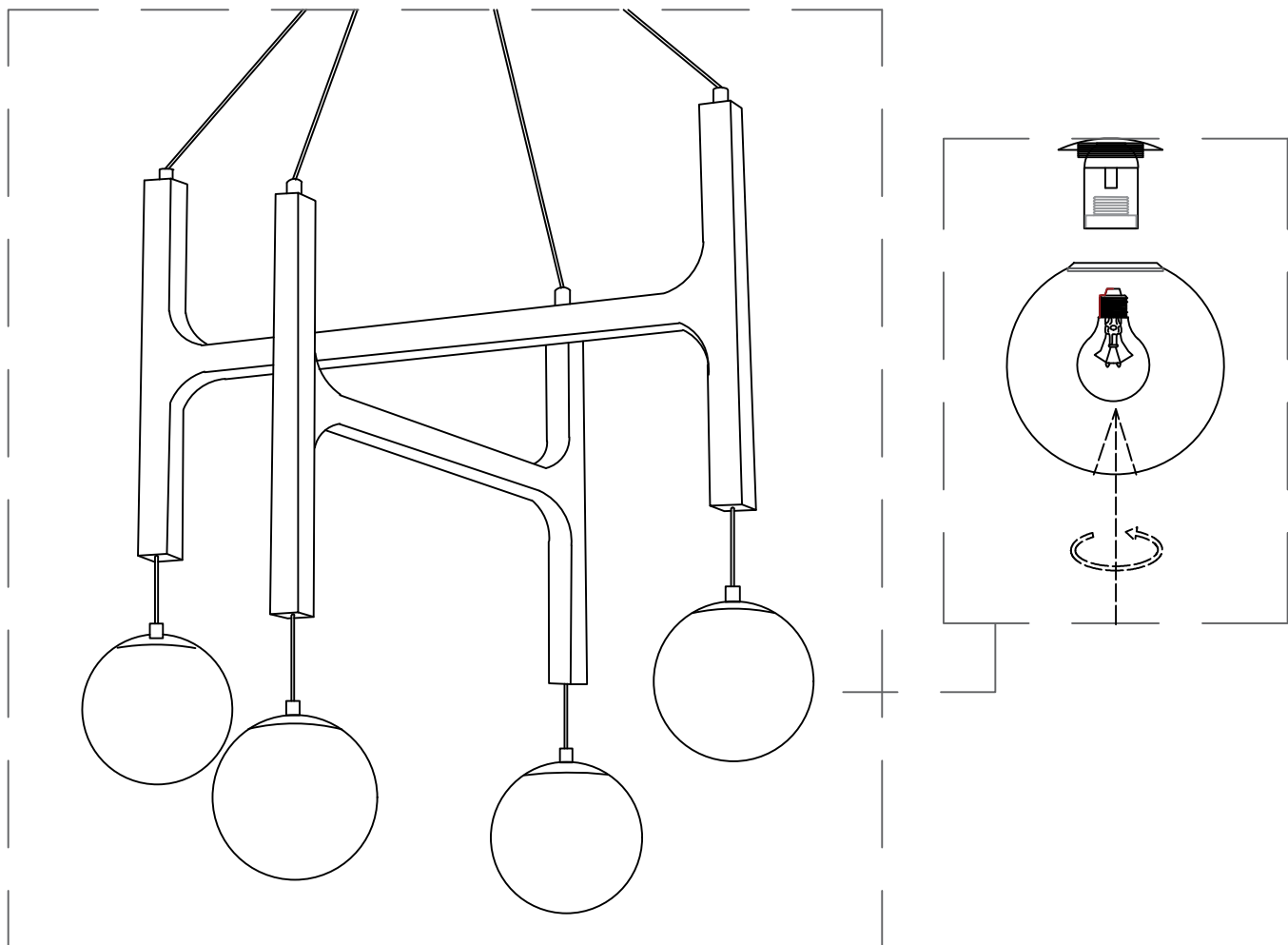


The wires in the home are connected to the wires in the lamps through the wire terminals



The side screws fix the lamp body to the ceiling plate

5



Install the light source and
tighten the lampshade

