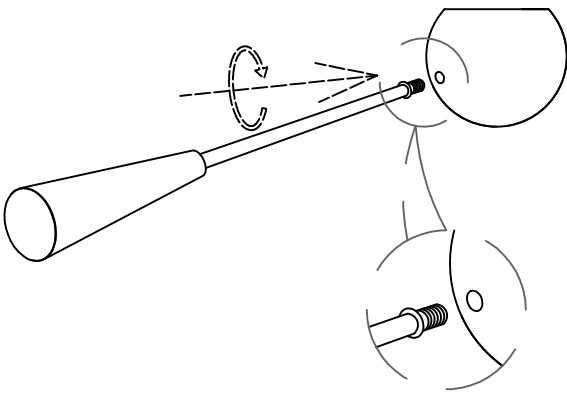
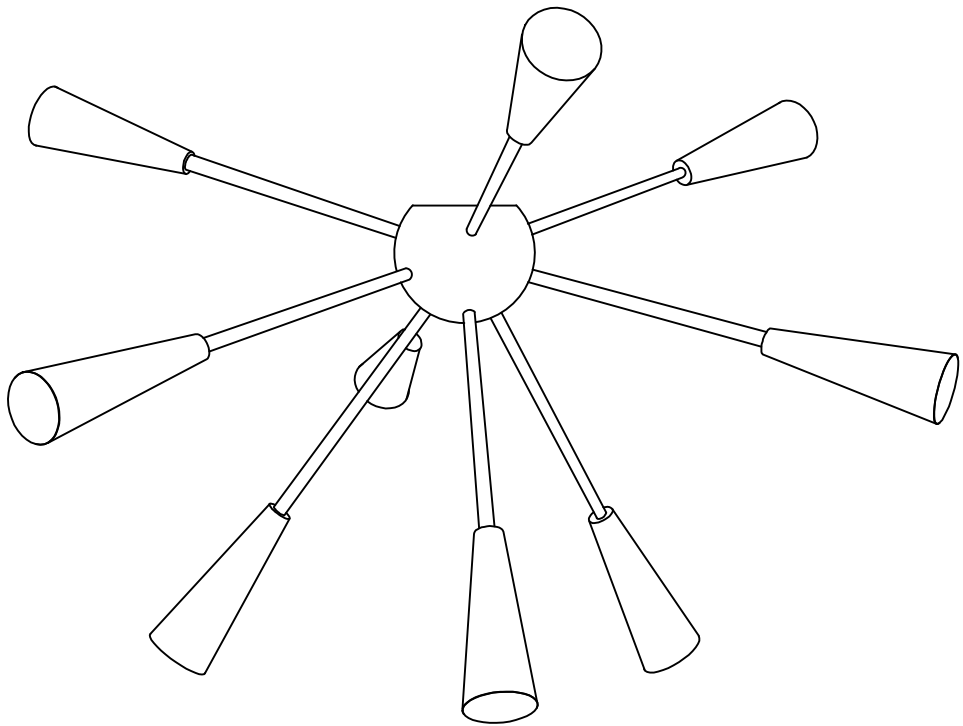
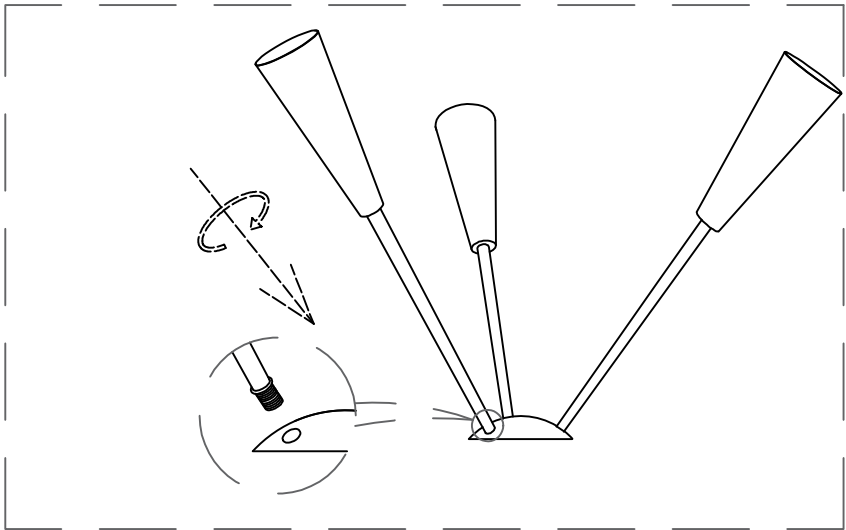
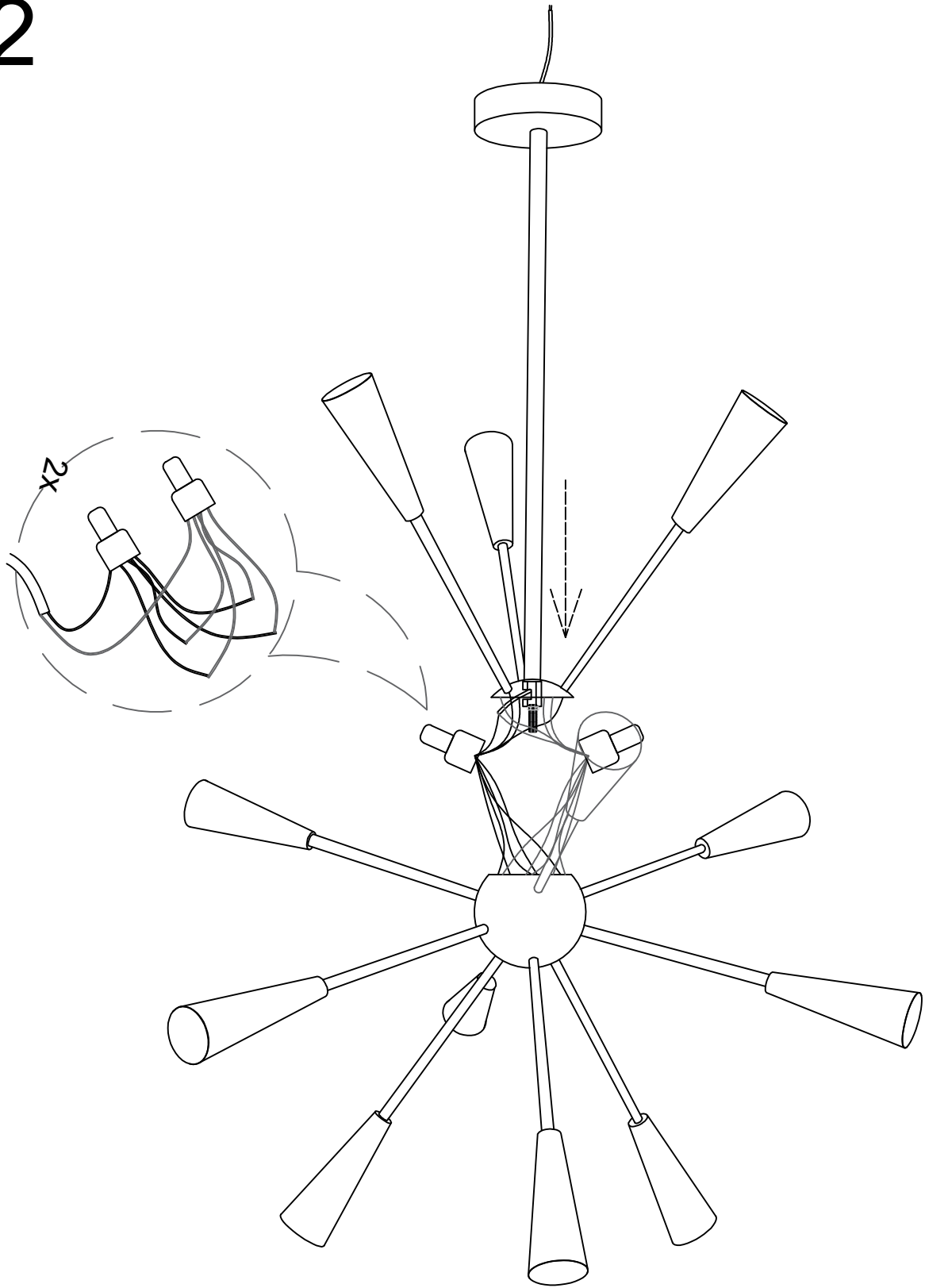


1



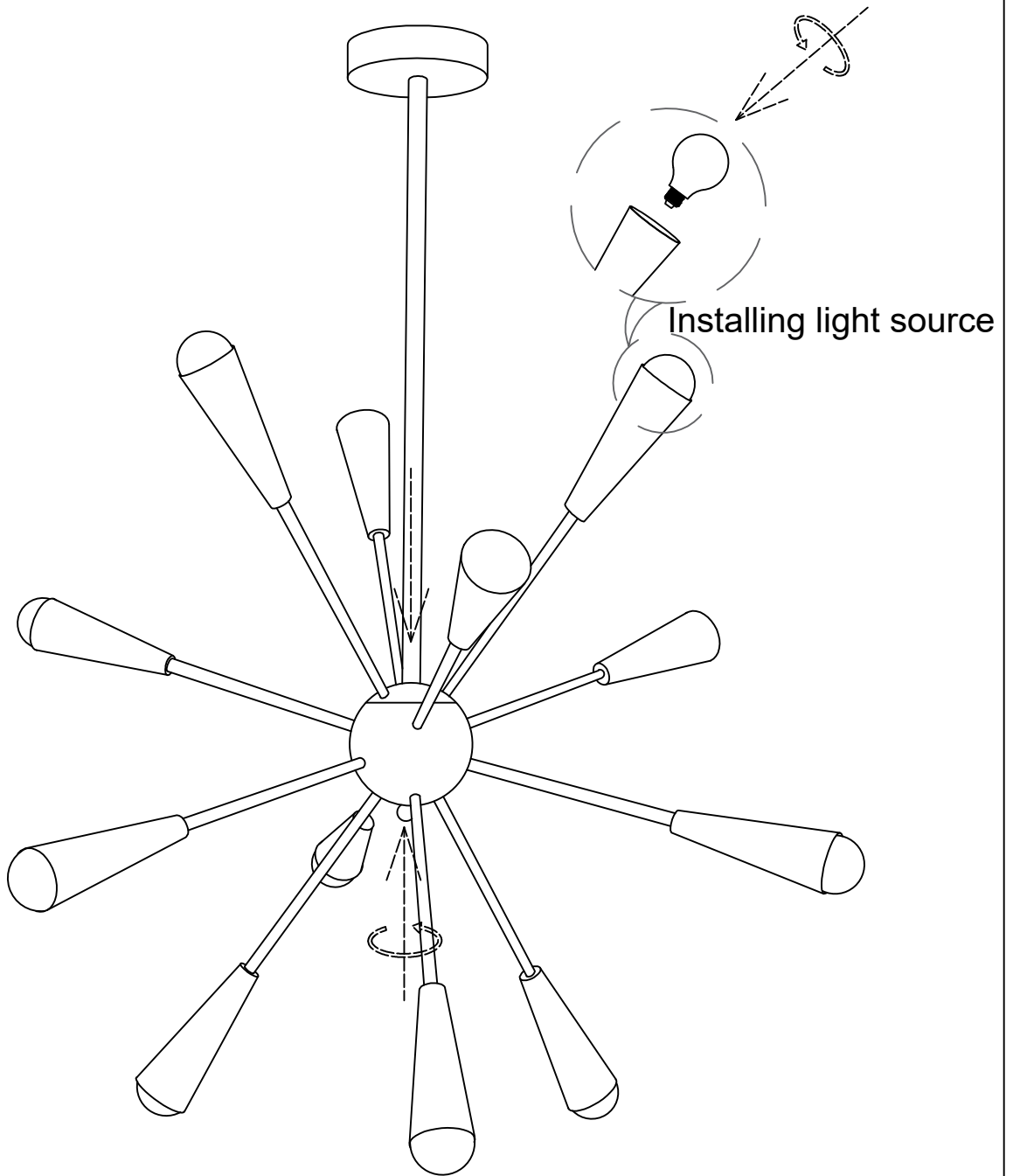
The light pole is twisted into the lamp body

2



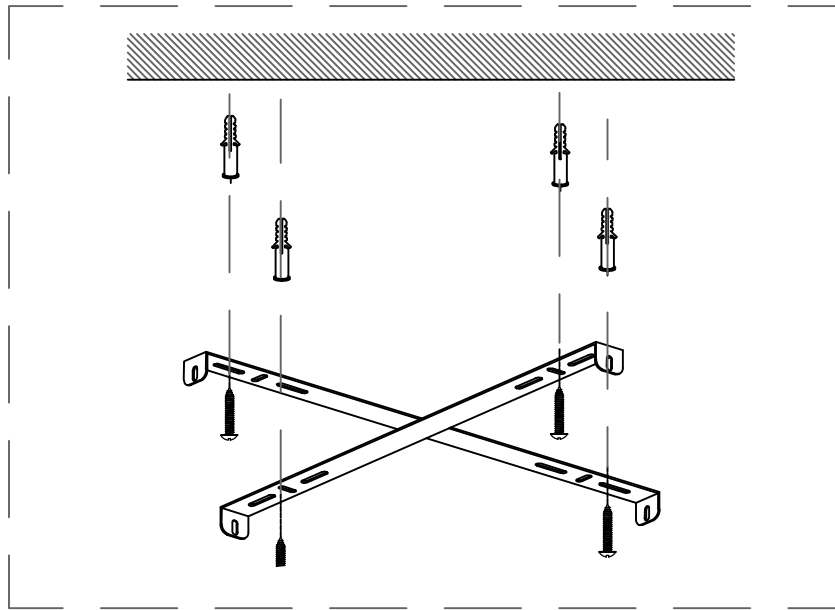
The main line is connected to the wires  
of the same color

3

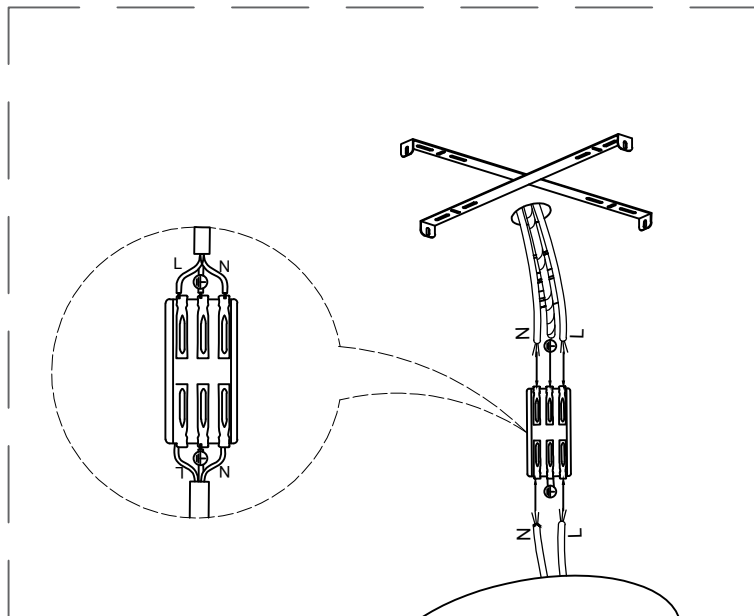
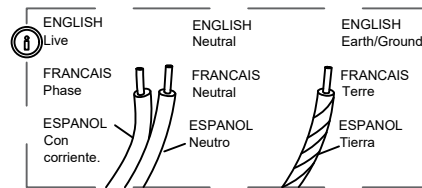


After connecting the wires, the upper and lower lamp bodies are connected together

# 4

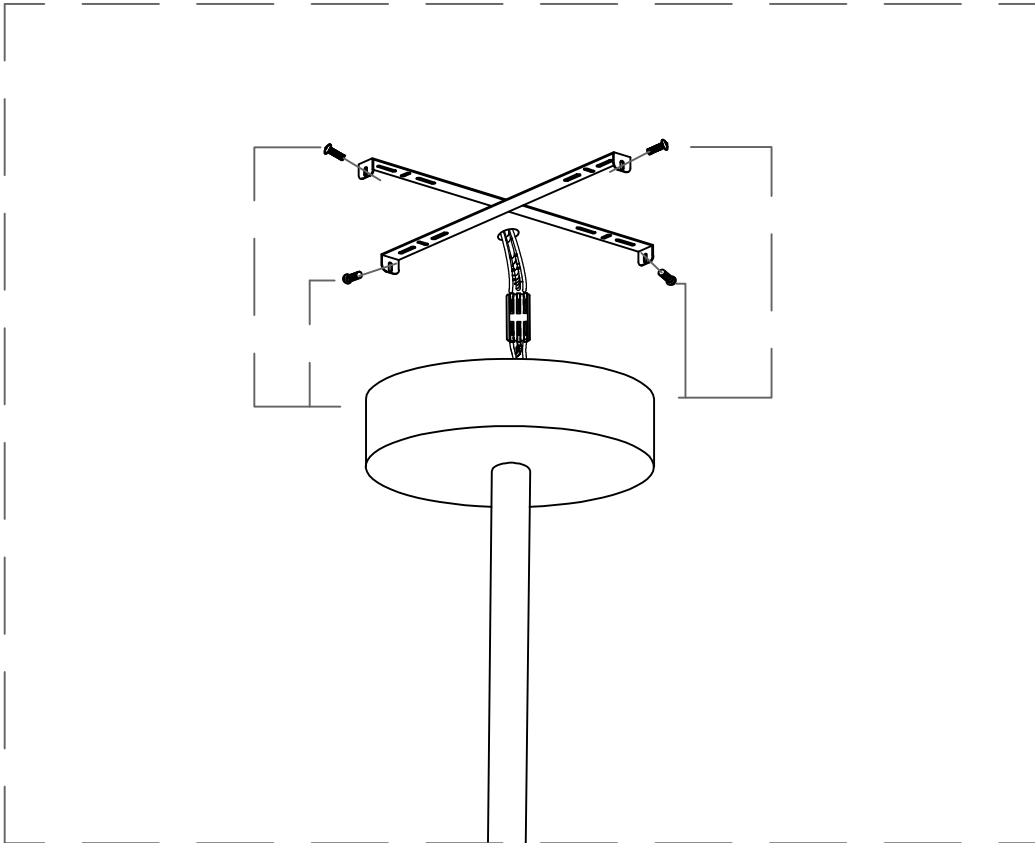


Fasten the hanging board to the ceiling with screws



The wires in the home are connected to the wires in the lamps through the wire terminals

5



The side screws fix the lamp body to the ceiling plate