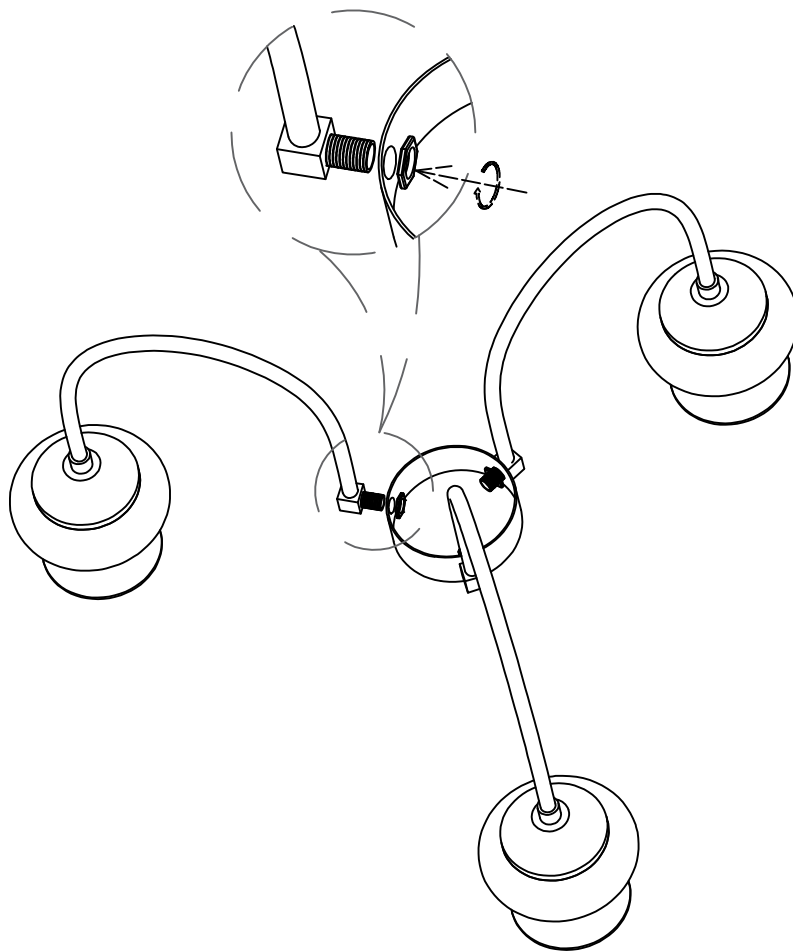
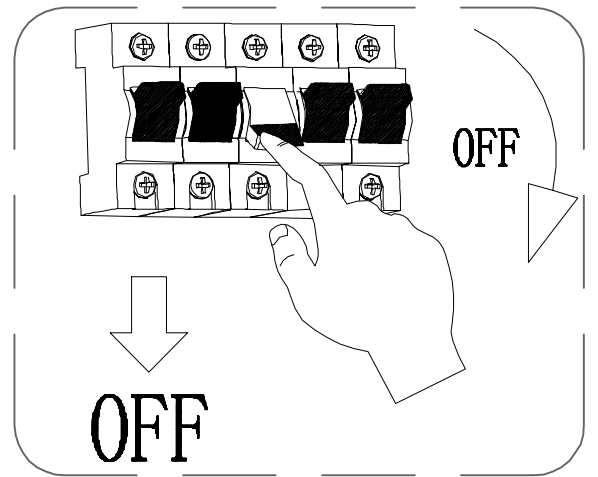
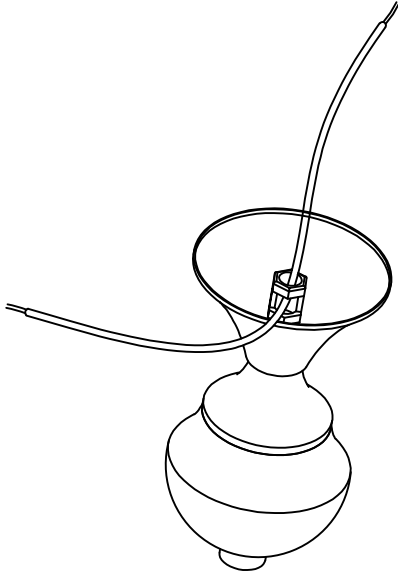


1

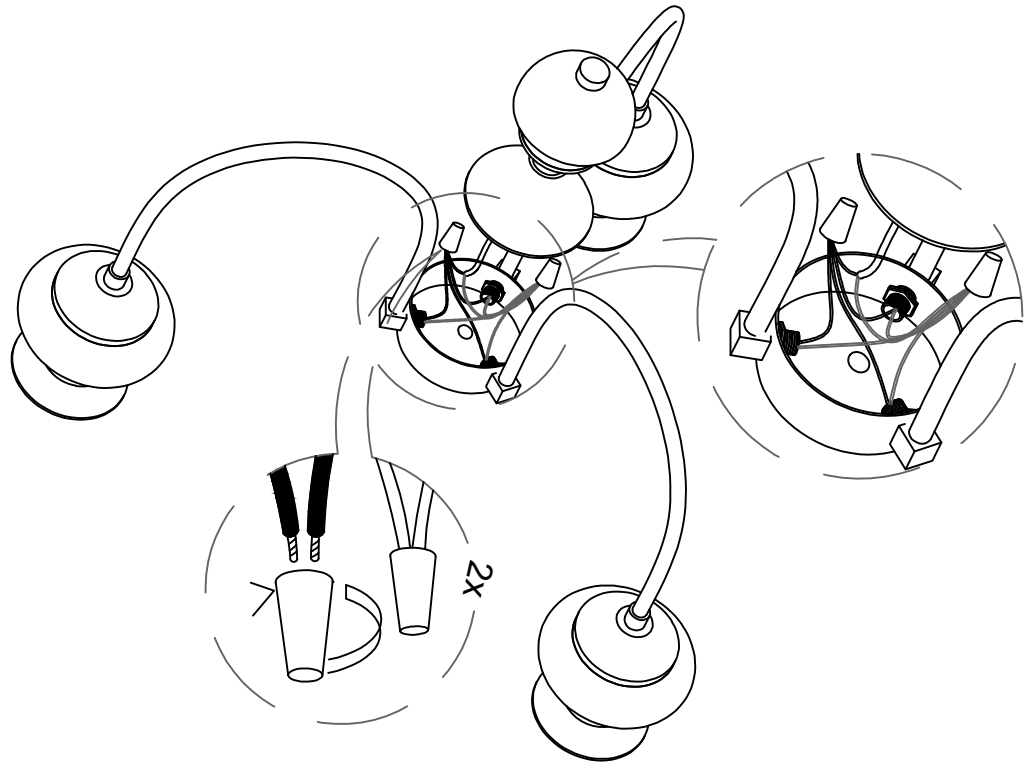


Use screws to lock the lamp arm onto the lamp body

2

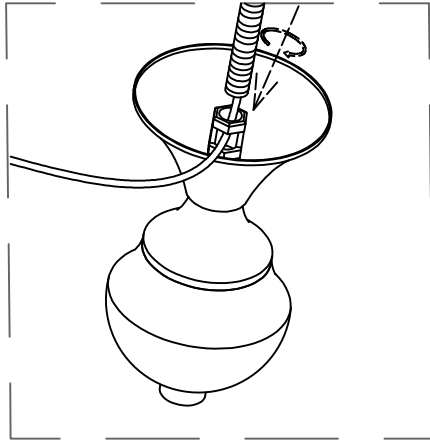


The main line is inserted

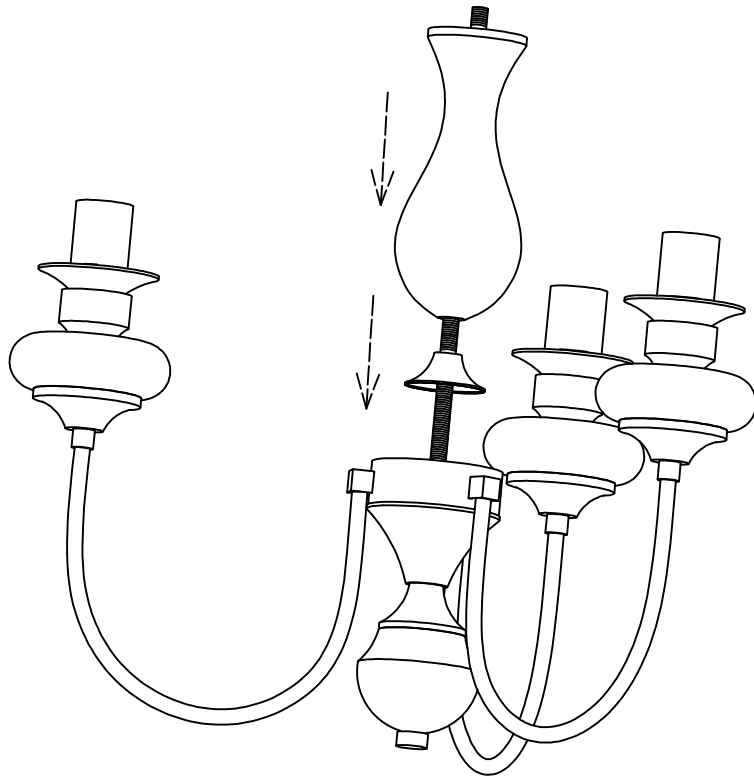


- ① Use electrical tape or terminal caps for wiring
- ② The main line is connected to the wires of the same color

3

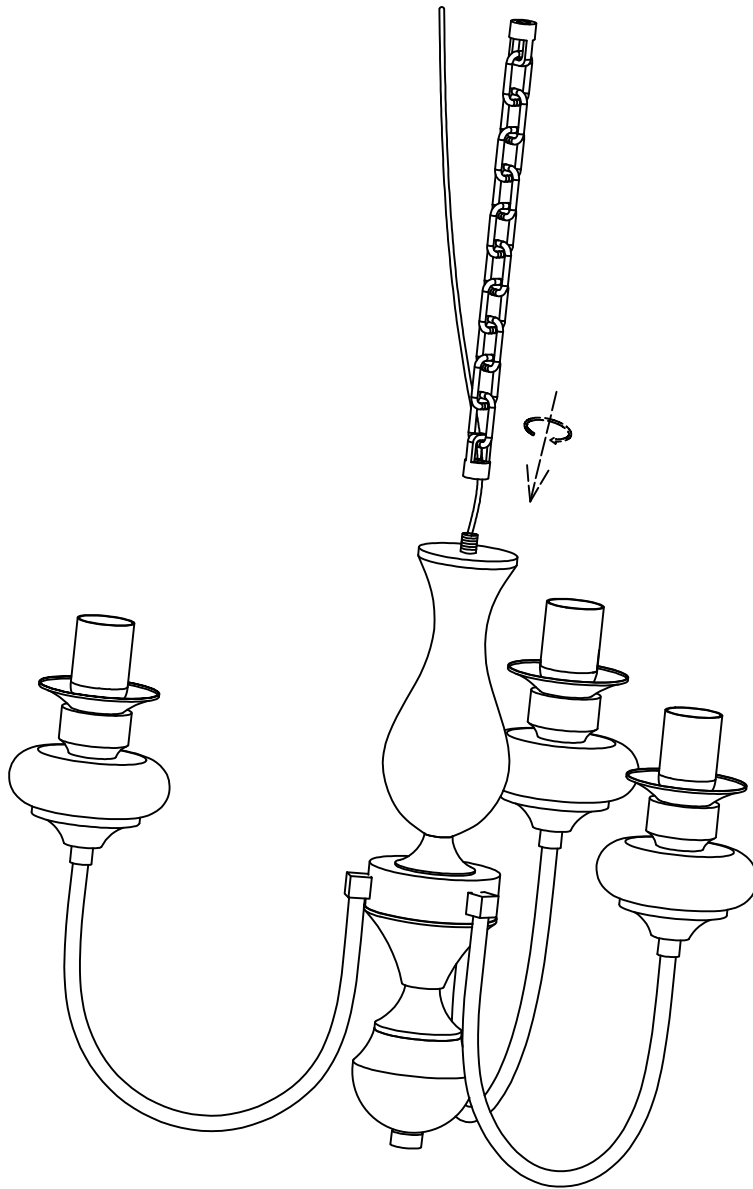


After the main wire passes through the thread, the rod is twisted on the lamp body



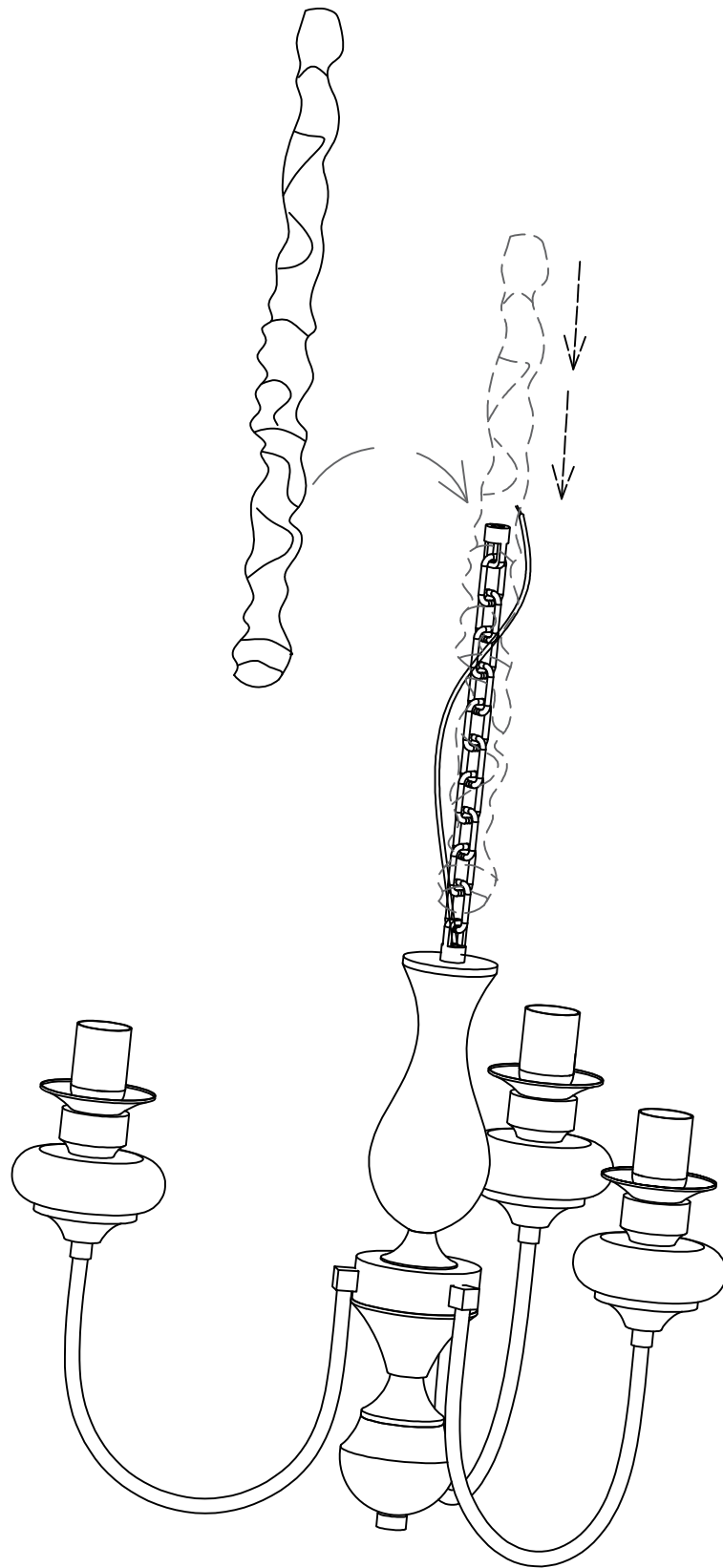
Put in the accessories and assemble the lamp body

4



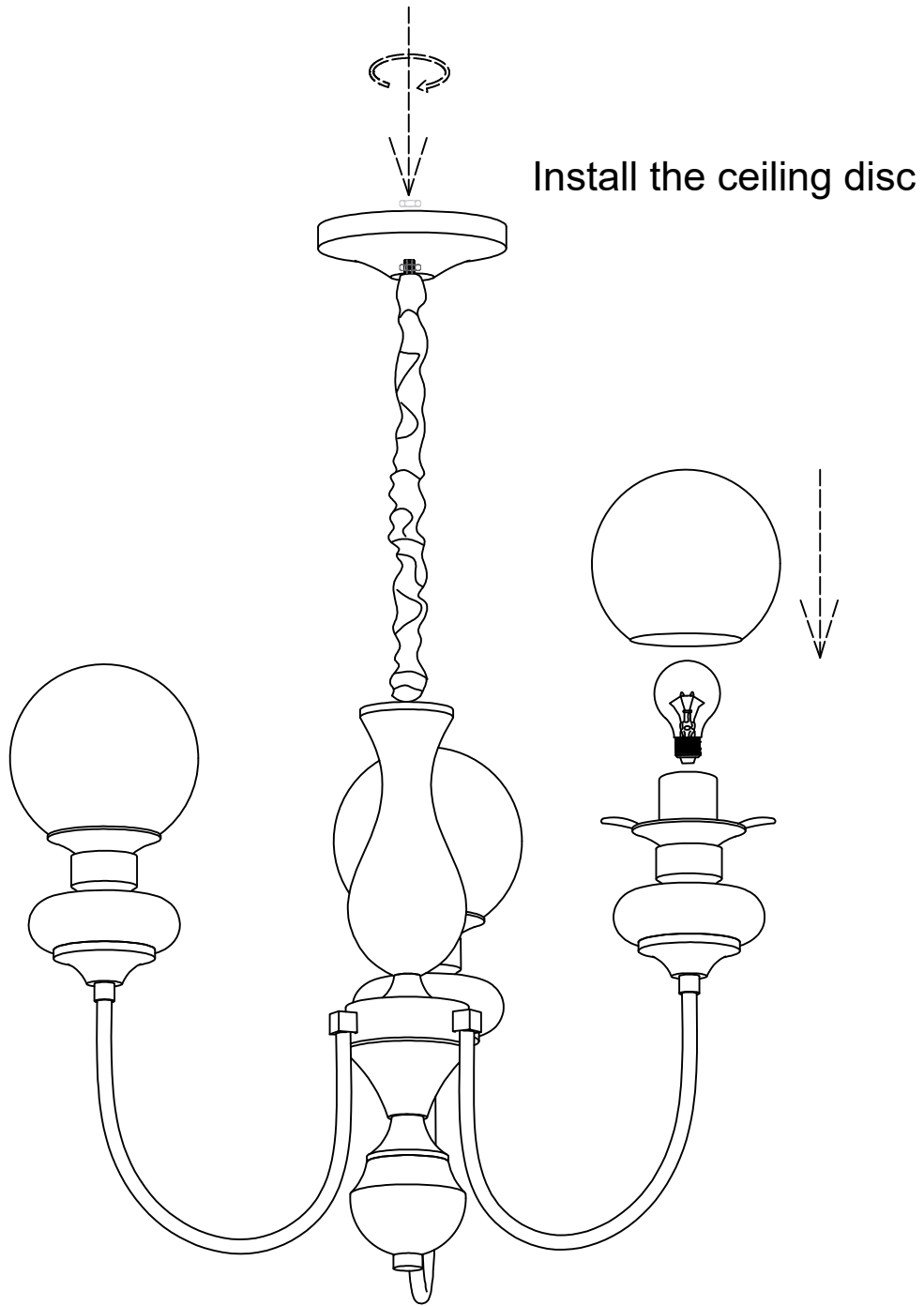
The sling chain is locked to the lamp body

5



Put flannel strips on top of the hanging chain

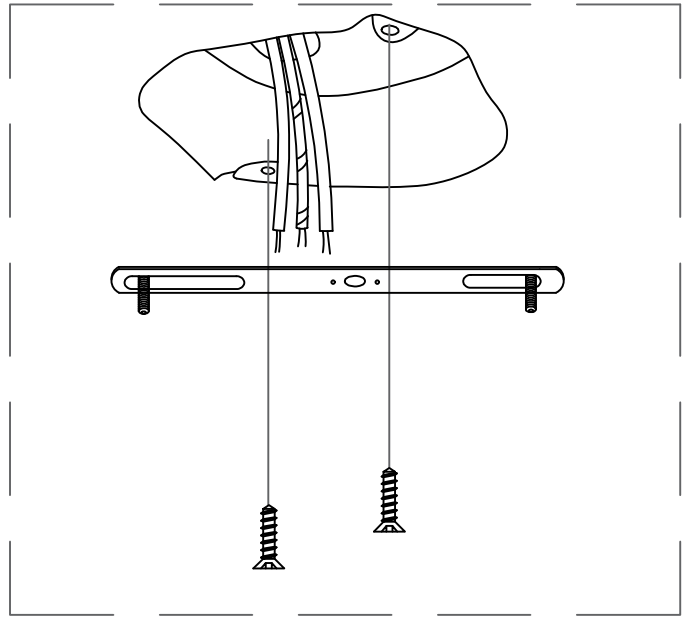
6



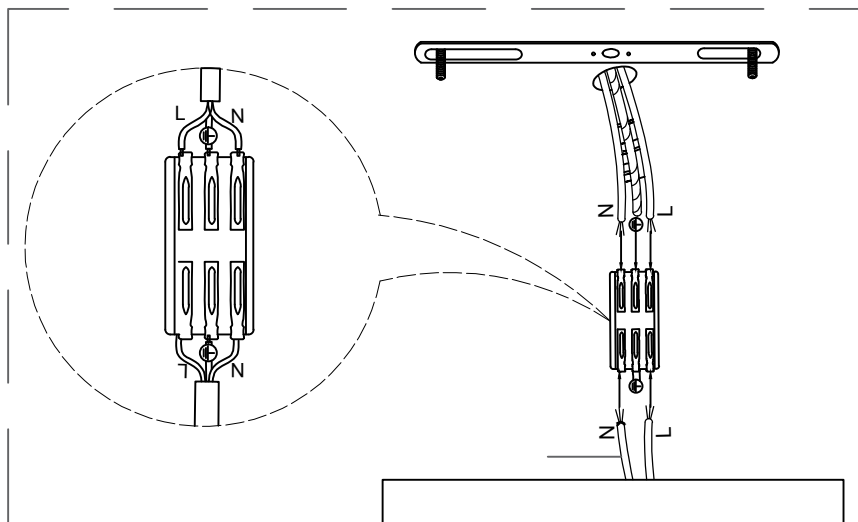
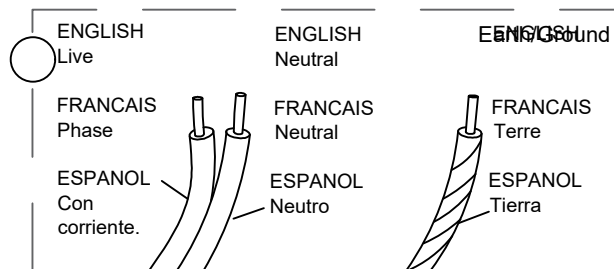
Install the ceiling disc

Installing light source and lampshade

7

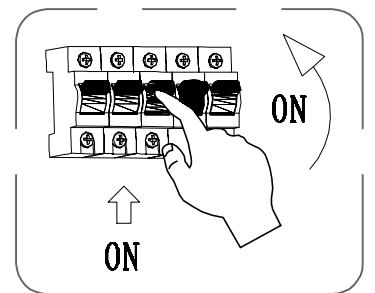
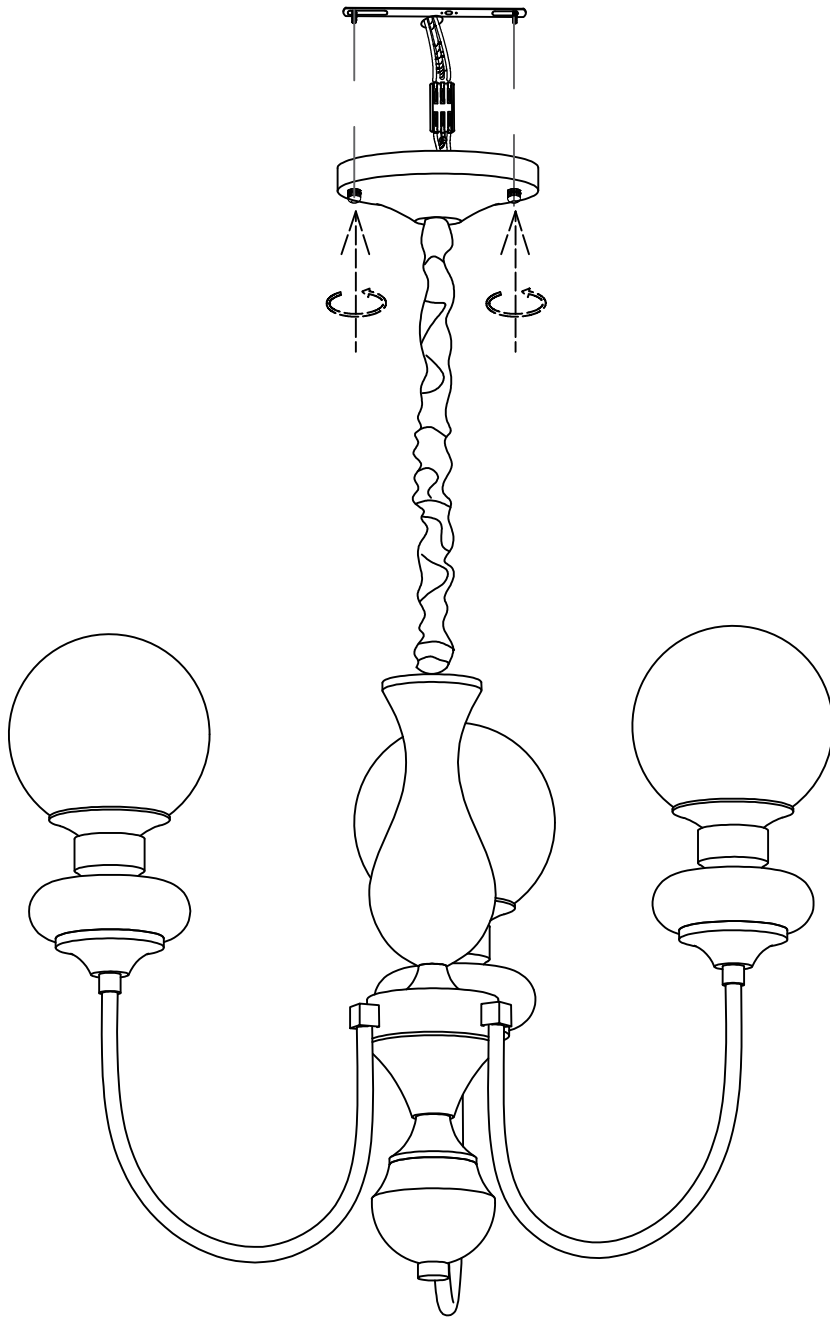


Fasten the hanging board to the ceiling with screws



The wires in the home are connected to the wires in the lamps through the wire terminals

8



Use hand-made nuts to fix the lamp body on the hanging board