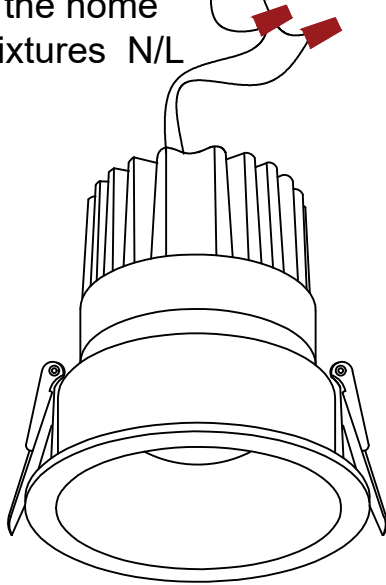


The electric wires in the home connect to the light fixtures N/L



The clip is directly stuck in the hole