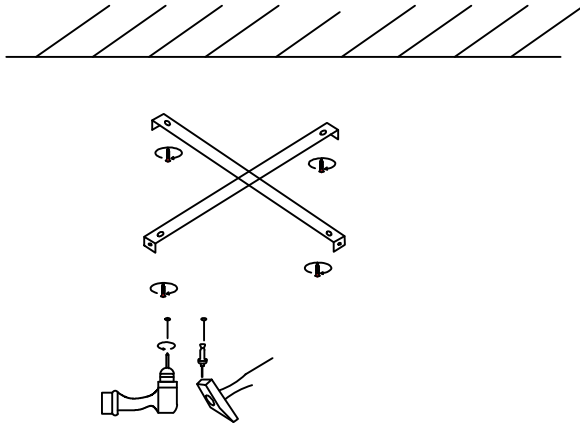
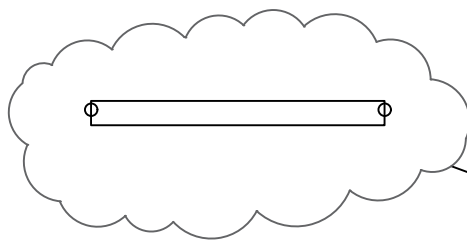


1



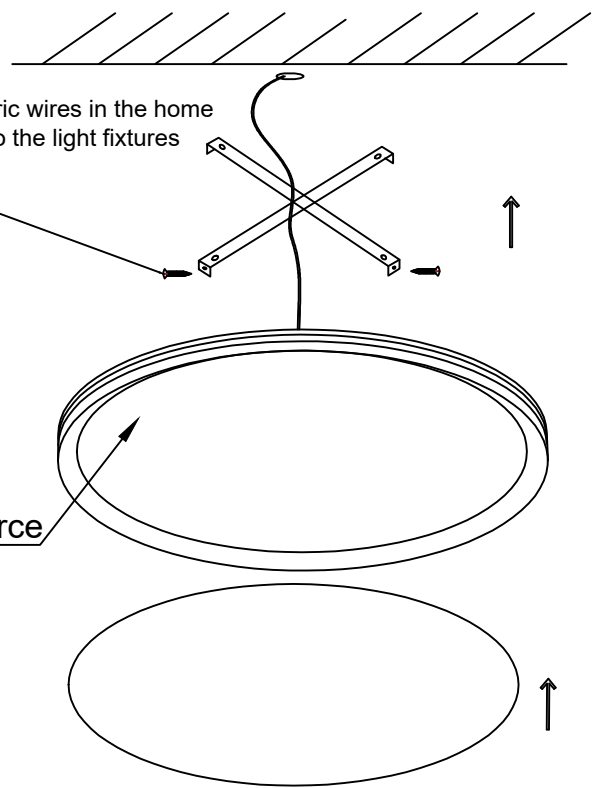
Take out the hanging plate and fix the hanging plate at the ceiling outlet position

2



The electric wires in the home connect to the light fixtures

The 4 side holes of the suction top plate above the lamp body are rotated into the mounting plate screws, so as to fix the lamp body



Built-in LED light source

Mounting acrylic

Note: Please turn off the power before installing the lamp