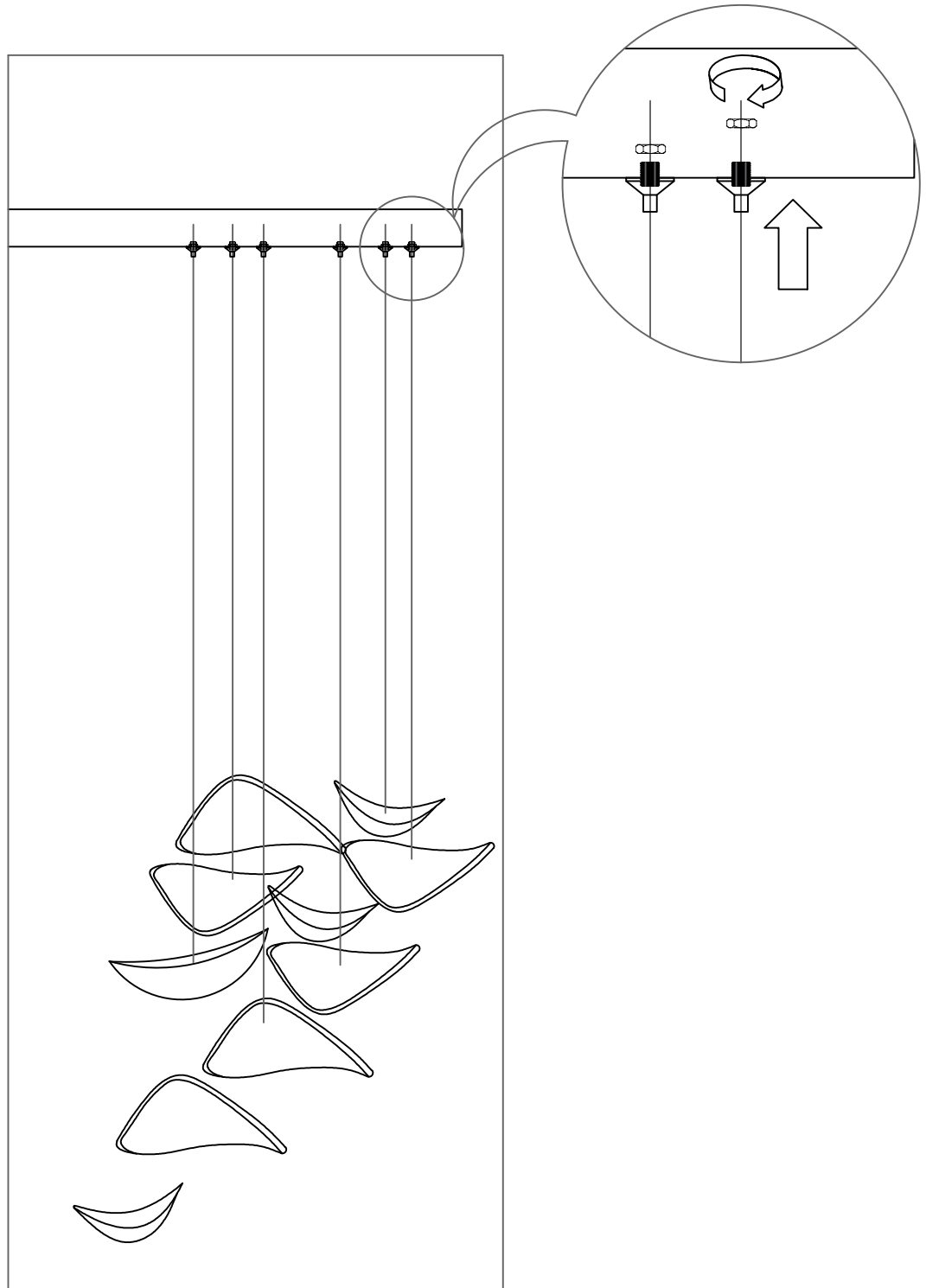


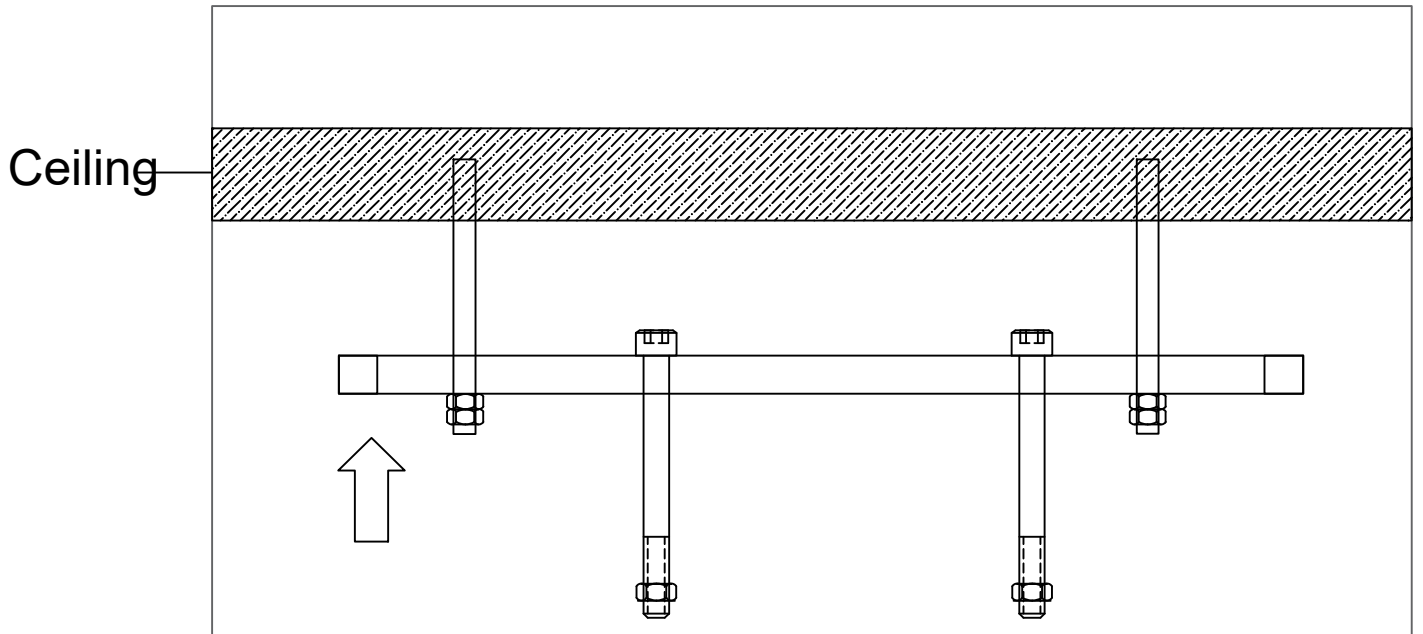
1

Install the glass on the ceiling plate by serial number

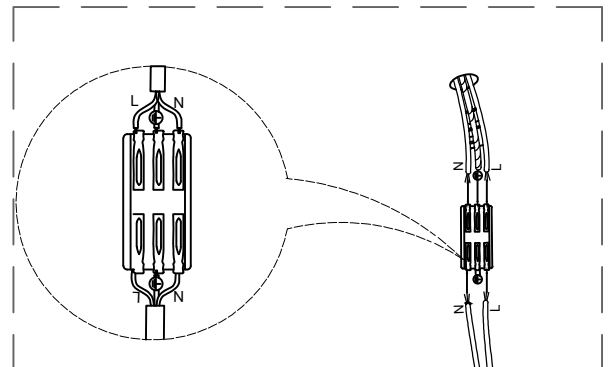
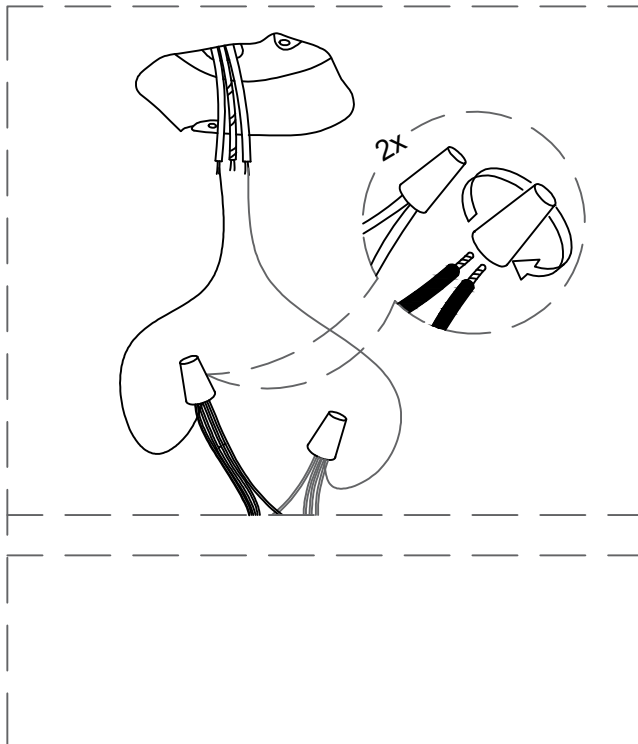



2

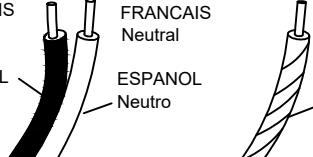
Fix the hanging board to the ceiling



Connect the lamp wires to the reserved wires



	ENGLISH Live	ENGLISH Neutral	ENGLISH Earth/Ground
	FRANCAIS Phase	FRANCAIS Neutro	FRANCAIS Terre
	ESPAÑOL Con corriente.	ESPAÑOL Neutro	ESPAÑOL Tierra



3

Use manual nuts to fix the ceiling plate on the ceiling

