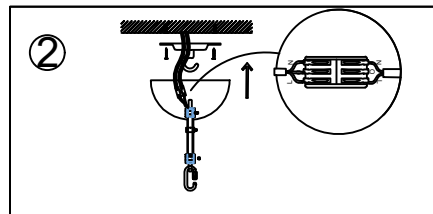


1. First connect the 16*120 dental tube to the lamp drum, then connect the 6*150 straight tube to the two-layer lamp drum, close the lamp drum cover, and lock the flat head female.
2. Use a 6*220 square tube, connect A to one end near the light drum, and connect B to the other end, and tighten with screws.
3. Then use 6*360 square tube to connect A and C and lock them with screws



1. Drill holes in the wall according to the hole spacing of the hanging board
2. Fix the hanging board to the ceiling
3. Connect the lamp wires to the reserved wires
4. Connect the lamp body to the hanging plate

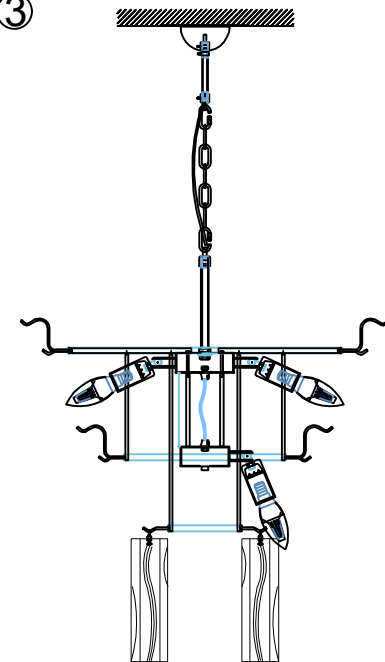


Warning: To prevent lamp damage, falling, electric shock, fire and other accidents that threaten personal safety! This product must be installed by a professional electrician in strict accordance with the instructions! Make sure every connection is tight.

Safety precautions

1. Please be sure to cut off the power supply before installation.
2. Lamps must not be connected in series with other electrical appliances or used in parallel with dimmers.
3. When inspecting and repairing lamps, please entrust professionals to operate them.
4. When something goes wrong with the lamp, cut off the power supply quickly and contact us.
5. If the external flexible cable or cord of this lamp is damaged, please contact us for replacement to avoid danger.

③



To prevent tilting! Please hang the glass pendants on the light rack symmetrically from the bottom layer.